

TABLE OF CONTENTS

General Information	B-2, B-3	Types YAV-T-F BOX & YAV-T-F	B-35
MIL. SPEC. Equivalent Tables	B-4	Types YAV-H-F BOX, YAV-H-F	
Bare Ferrules		& YAV-Z	B-36
Type YF	B-5, B-6	Types TN-F & YAES-F	B-37
Insulated Ferrules		Types YAE-N-F BOX & YAE-N-F	B-38
Type YFI	B-7, B-8	Types TP-F & BA-EF	B-39
Types YF & YFI Twin Ferrules	B-9	Types YAE-Z BOX & YAE-Z	B-40
Heat Shrink		Types TP-Z & BA-EZ	B-41
Type YHS Ring and		Types TP-LF & BA-EL	B-42
Fork Tongue Terminals.....	B-10	Type Q-F	B-43
Type YHS Butt Splices and		Type QP-F	B-43
Quick Disconnects.....	B-11	Type QN-F	B-44
Type HSSHRACK	B-12	Type QM	B-44
Type HSKIT	B-13	Type QP-M	B-45
Terminals		Type QN-M	B-45
Types T & YAD	B-14	Types PGP & PGN	B-46
Types TP & BA	B-15	Types FQN-F & FQN-M	B-47
Types TN & YAES	B-16	Type FL	B-48
Type YAE-G BOX	B-17	Uninsulated Splices	B-49
Types YAE-N BOX & YAE-N	B-18	Types YSV, YSV-H & YSV-L	B-49
Type YAES-K	B-19, B-20	Type YSV-L	B-50
Types YAV BOX & YAV	B-21, B-22	Type YSM	B-51
Types YAV-L BOX & YAV-L	B-23, B-24	Type YSCM	B-52
Types YAV-H BOX & YAV-H	B-25	Types YSES-K	B-53
Type YBM	B-26	Types SP & BS	B-54
Types YAEV & YAEV-L	B-27, B-28	Insulated Splices	B-55
Type YAEV-H	B-29, B-30	Types SN, YSE-HN	B-55
Types YAV-R & YAV-RS	B-31	Types SNM, YSE BOX, YSES,	
Type YAEV-RS	B-32	YSE-H BOX, YSE & YSE-H	B-56
Type YAEV-RH	B-33	Types YSV & YRV-L	B-57
Types T-F & YAD-F	B-34	Types YQE & RK	B-58

Blue highlighted items are industry standard and most frequently ordered.

Performance

The terminals and splices in this catalog are approved, per SAE-AS7928 and/or UL486, where indicated. Table 1 shows the performance requirements for terminals used in military and commercial equipment. The voltage drops listed are maximum allowable values taken at currents well above rated current for the wires. Tensile values assure that the wires will not become separated from the terminals under reasonably expected stresses. UL tensile values are chosen to reflect the severest expected duty. MIL Specification tensile values apply only to crimp terminations and reflect minimum values that are obtained in good crimp joints. Actual performance of BURNDY® terminals exceeds the requirements of Table 1. Typical values are shown in Figs. 1-5. For High Temperature application BURNDY® YAV series with nickel plating “-NK” suffix provide for continuous operation to 650° F and 750° F intermittent service.

Table 1

Performance Requirements — Terminals for Copper Wire					
Wire Size	Per SAE-AS7928			Per UL486	
	Test Current (Amps)	Maximum Voltage Drop (Mv.)	Minimum Tensile Strength (Lbs.)	Minimum Tensile Strength (Lbs.)	Test Current For Max. 50°C Rise (Amps)
26	3	8	7	—	—
24	4.5	8	10	—	—
22	9	7	15	8	—
20	11	6	19	13	—
18	16	5	38	20	—
16	22	7	50	30	—
14	32	6	70	50	15
12	41	5	110	70	20
10	55	5	150	80	30
8	73	5	225	90	50
6	101	5	300	100	65
4	135	5	400	140	85
2	181	5	550	180	115
1	211	5	650	200	130
0	245	5	700	250	150
00	283	5	750	300	175
000	320	5	825	350	200
0000	380	5	875	450	230

Fig 1. Tensile strength of YAD HYLUG™ after axial rotation stresses.

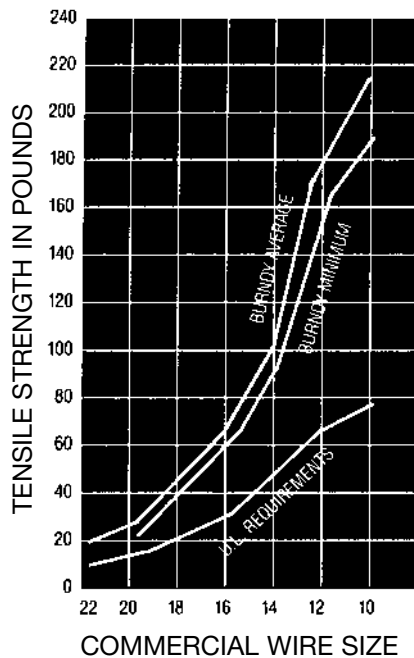
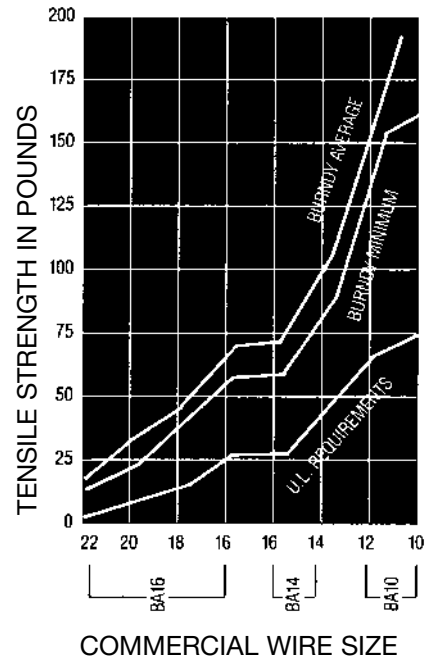


Fig 2. Tensile strength of BA VINYLUG™ after axial rotation stresses.



Blue highlighted items are industry standard and most frequently ordered.

GENERAL INFORMATION

(Continued)

Fig 3. Tensile strength of YAES INSULUG™ after vibration.

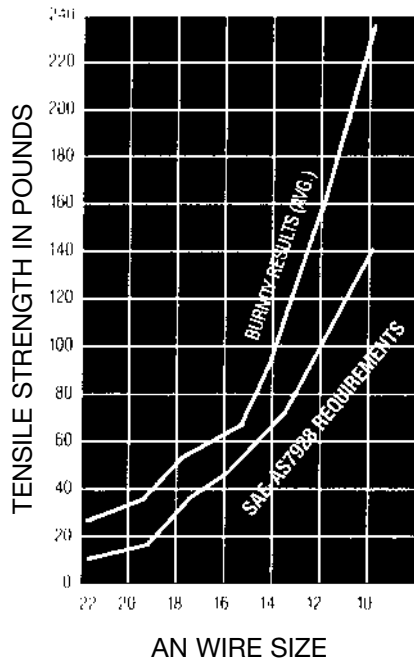


Fig 5. Voltage drops of YAES at currents per Table 1 after vibration.

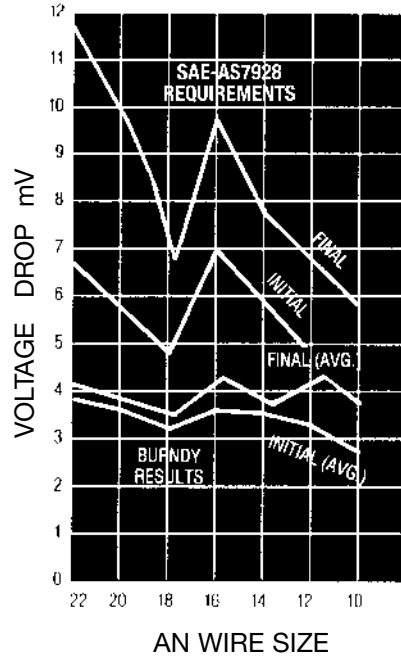
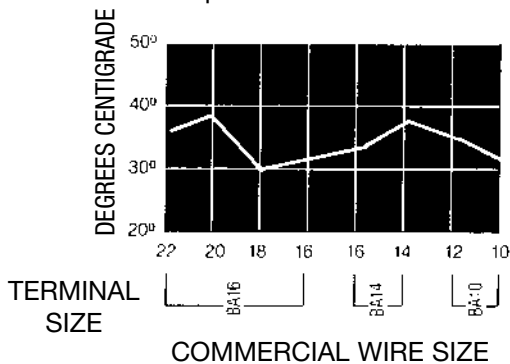


Fig 4. Temperature rise of BA VINYLUG™ at currents per Table 1.



Blue highlighted items are industry standard and most frequently ordered.

EQUIVALENT TABLES

MILITARY SPECIFICATIONS

Terminals

BURNDY® Equivalents to SAE-AS25036 in accordance with Specification SAE-AS7928

Terminals

BURNDY® Equivalents to SAE-AS20659 in accordance with Specification SAE-AS7928

AS25036 Dash No.	Catalog Number	Class 1	Class 2	Cage Code*	AS25036 Dash No.	Catalog Number	Class 1	Class 2	Cage Code*	AS20659 Dash No.	Catalog Number	Class 1	Class 2	Cage Code*	AS20659 Dash No.	Catalog Number	Class 1	Class 2	Cage Code*
101	YAES18-N1	X	X	1NJK8	124	YAEV4C-L4	X		1NJK8	105	YAV10	X	X	1NJK8	134	YAV1C-L3	X		1NJK8
	YAE18-G43		X		125	YAEV4C-L2	X	X	1NJK8	106	YAV10-T2	X	X	1NJK8	135	YAV25-L3	X		1NJK8
102	YAES18-N2	X	X	1NJK8	126	YAEV2C-L1	X	X	1NJK8	107	YAV8C-L	X		1NJK8	136	YAV26-L3	X	X	1NJK8
	YAE18-N21		X		127	YAEV2C-L	X		1NJK8	108	YAV8C-L2	X		1NJK8	137	YAV28-L54	X		1NJK8
103	YAES18-N3	X	X	1NJK8	128	YAEV2C-L4	X	X	1NJK8	109	YAV6C-L	X	X	1NJK8	140	YAV8C-L14	X		1NJK8
	YAE18N		X		129	YAEV1C-L1	X		1NJK8	110	YAV6C-L2	X		1NJK8	141	YAV8C-L1	X	X	1NJK8
104	YAES18-N4	X	X	1NJK8	130	YAEV1C-L	X	X	1NJK8	111	YAV4C-L	X	X	1NJK8	142	YAV8C-L4	X		1NJK8
	YAE18-N3		X		131	YAEV1C-L3	X		1NJK8	112	YAV4C-L2	X		1NJK8	143	YAV6C-L10	X		1NJK8
105	YAES18-N5	X	X	1NJK8	132	YAEV25-L1	X		1NJK8	113	YAV2C-L1	X		1NJK8	144	YAV4C-L3	X		1NJK8
	YAE18-N15		X		133	YAEV25-L	X	X	1NJK8	114	YAV2C-L	X		1NJK8	145	YAV4C-L5	X		1NJK8
106	YAES14-N6	X	X	1NJK8	134	YAEV25-L3	X		1NJK8	115	YAV1C-L1	X	X	1NJK8	146	YAV2C-L3	X		1NJK8
	YAE14-N43		X		135	YAEV26-L2	X		1NJK8	116	YAV1C-L	X		1NJK8	147	YAV2C-L2	X	X	1NJK8
107	YAES14-N7	X	X	1NJK8	136	YAEV26-L	X		1NJK8	117	YAV25-L1	X		1NJK8	148	YAV2C-L11	X		1NJK8
108	YAES14-N8	X	X	1NJK8	137	YAEV26-L3	X		1NJK8	118	YAV25-L	X	X	1NJK8	149	YAV1C-L2	X		1NJK8
	YAE14N		X		143	YAE22-G18		X	1NJK8	119	YAV26-L2	X		1NJK8	150	YAV1C-L4	X		1NJK8
109	YAES14-N9	X	X	1NJK8	144	YAE22-G16		X	1NJK8	120	YAV26-L	X		1NJK8	151	YAV25-L2	X		1NJK8
	YAE14-N3		X		145	YAE22-G13		X	1NJK8	121	YAV27-L	X	X	1NJK8	152	YAV25-L16	X		1NJK8
110	YAES14-N10	X		1NJK8	146	YAE22-G14		X	1NJK8	122	YAV27-L1	X		1NJK8	153	YAV26-L1	X		1NJK8
	YAE14-N4		X		147	YAE22-G15		X	1NJK8	123	YAV28-L	X		1NJK8	154	YAV26-L16	X		1NJK8
111	YAES10-N11	X	X	1NJK8	148	YAES18-N48	X	X	1NJK8	124	YAV28-L12	X	X	1NJK8	155	YAV27-L20	X		1NJK8
	YAE10-N5		X		149	YAES18-N49	X	X		1NJK8	129	YAV10-T4	X	X	1NJK8	156	YAV27-L18	X	
112	YAES10-N12	X	X	1NJK8	149	YAE18N1	X		1NJK8		130	YAV6C-L1	X		1NJK8	157	YAV28-L56	X	
	YAE10N		X		150	YAES18-N50	X	X		1NJK8	131	YAV6C-L4	X		1NJK8	158	YAV28-L60	X	
113	YAES10-N13	X	X	1NJK8	150	YAE18-N2	X		1NJK8		132	YAV4C-L4	X		1NJK8	159	YAV28-L13	X	
	YAE10-N2		X		152	YAES14-N52	X	X		1NJK8	133	YAV2C-L4	X		1NJK8	160	YAV28-L14	X	
114	YAES10-N14	X		1NJK8	153	YAE14-N1	X	X	1NJK8					165	YAV10-T7	X	X	1NJK8	
	YAE10-N4		X		154	YAES14-N54	X	X		1NJK8									
115	YAEV8C-L	X	X	1NJK8		YAE14-N2	X		1NJK8										
116	YAEV8C-L1	X		1NJK8		YAES14-N54	X	X	1NJK8										
117	YAEV8C-L2	X		1NJK8		YAE14-N2	X		1NJK8										
118	YAEV8C-L3	X		1NJK8		YAES14-N54	X	X	1NJK8										
119	YAEV6C-L1M	X	X	1NJK8		YAES10-N56	X	X	1NJK8										
120	YAEV6C-LM	X		1NJK8		YAE10-N11	X		1NJK8										
121	YAEV6C-L4M	X		1NJK8		YAES10-N57	X	X	1NJK8										
122	YAEV6C-L2M	X		1NJK8		YAE10-N3	X		1NJK8										
123	YAEV4C-L	X		1NJK8		YAES10-N58	X	X	1NJK8										

* Main Office Cage Code Number

Notes:

For factory cage code numbers, please contact your local BURNDY® Sales Representative or the Headquarters phone number below.
SAE stands for the Society of Automotive Engineering, which has replaced the Military Specifications.

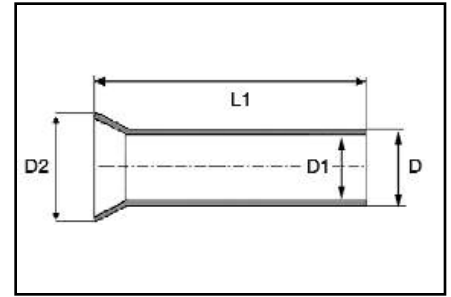
Blue highlighted items are industry standard and most frequently ordered.

TYPE YF

BARE FERRULES

For Use On Copper Conductor

Wire ferrules are also known as cord end terminals or bootlace ferrules. These are electrical connectors used to terminate stranded wires. These terminals are made of electrolytically tin plated copper, uninsulated ferrules are designed to form neat end terminations to multi-strand cables or wires. Smooth funnel entry assists in wire insertion. Specifically designed to aid in termination of extra flexible



fine stranded conductor, provides enhanced flexibility relating to wire termination and management. A positive contact surface helps ensure system integrity.

Features and Benefits

- Made of electrolytic copper, tin plated
- Seamless barrels
- Smooth funnel entry to make wire insertion easier
- RoHS compliant

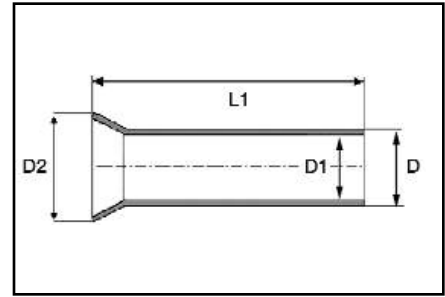
Catalog Number	Wire Size		Dimensions in Inches				Bag Qty.	Recommended Tooling
	AWG	mm ²	L1	D	D1	D2		
YF2807UI	28	.14	.276	.035	.027	.063	1000	YF3206TOOL
YF2605UI	26	.25	.196	.043	.031	.059	1000	
YF2607UI	26	.25	.276	.043	.031	.059	1000	YF3206TOOL
YF2405UI	24	.34	.196	.047	.031	.059	1000	YF2610TOOL
YF2407UI	24	.34	.276	.047	.031	.059	1000	
YF2206UI	22	.50	.236	.051	.039	.059	1000	
YF2208UI	22	.50	.315	.051	.039	.067	1000	
YF2210UI	22	.50	.394	.051	.039	.067	1000	
YF2212UI	22	.50	.472	.051	.039	.067	1000	
YF2006UI	20	.75	.236	.059	.047	.067	1000	
YF2010UI	20	.75	.394	.059	.047	.075	1000	
YF2012UI	20	.75	.472	.059	.047	.075	1000	
YF1806UI	18	1.00	.236	.067	.055	.075	1000	
YF1808UI	18	1.00	.315	.067	.055	.087	1000	
YF1810UI	18	1.00	.394	.067	.055	.087	1000	YF3206TOOL
YF1812UI	18	1.00	.472	.067	.055	.087	1000	YF2610TOOL
YF1607UI	16	1.50	.276	.079	.067	.087	1000	YF2214TOOL
YF1608UI	16	1.50	.315	.079	.067	.098	1000	YF2210TOOL
YF1610UI	16	1.50	.394	.079	.067	.098	1000	
YF1612UI	16	1.50	.472	.079	.067	.098	1000	
YF1618UI	16	1.50	.709	.079	.067	.098	1000	
YF1407UI	14	2.50	.276	.102	.091	.130	1000	
YF1408UI	14	2.50	.315	.102	.091	.130	1000	
YF1410UI	14	2.50	.394	.102	.091	.130	1000	
YF1412UI	14	2.50	.472	.102	.091	.130	1000	
YF1418UI	14	2.50	.709	.102	.091	.130	1000	
YF1209UI	12	4.00	.354	.126	.110	.154	1000	
YF1212UI	12	4.00	.472	.126	.110	.154	1000	YF3206TOOL
YF1215UI	12	4.00	.591	.126	.110	.154	1000	YF2610TOOL
YF1218UI	12	4.00	.709	.126	.110	.154	1000	YF2210TOOL
YF1010UI	10	6.00	.394	.154	.138	.185	250	YF3206TOOL
YF1012UI	10	6.00	.472	.154	.138	.185	250	YF2610TOOL
YF1015UI	10	6.00	.591	.154	.138	.185	250	YF2210TOOL
YF1018UI	10	6.00	.709	.154	.138	.185	250	YF1006TOOL
YF0812UI	8	10.00	.472	.193	.177	.228	250	
YF0815UI	8	10.00	.591	.193	.177	.228	250	
YF0818UI	8	10.00	.709	.193	.177	.228	250	YF3206TOOL
YF0612UI	6	16.00	.472	.244	.228	.283	250	YF1006TOOL
YF0615UI	6	16.00	.591	.244	.228	.283	250	YF0801TOOL
YF0618UI	6	16.00	.709	.244	.228	.283	250	
YF0625UI	6	16.00	.984	.244	.228	.283	250	

Blue highlighted items are industry standard and most frequently ordered.

TYPE YF (Continued)

BARE FERRULES

For Use On Copper Conductor



Catalog Number	Wire Size		Dimensions in Inches				Bag Qty.	Recommended Tooling
	AWG	mm ²	L1	D	D1	D2		
YF0412UI	4	25.00	.472	.311	.295	.358	100	YF0801TOOL YF0401TOOL
YF0415UI	4	25.00	.591	.311	.295	.358	100	
YF0418UI	4	25.00	.709	.311	.295	.358	100	
YF0420UI	4	25.00	.787	.311	.295	.358	100	
YF0425UI	4	25.00	.984	.311	.295	.358	100	
YF0432UI	4	25.00	1.260	.311	.295	.358	100	
YF0215UI	2	35.00	.591	.343	.327	.402	100	
YF0220UI	2	35.00	.787	.343	.327	.402	100	
YF0225UI	2	35.00	.984	.343	.327	.402	100	
YF0232UI	2	35.00	1.260	.343	.327	.402	100	
YF0122UI	1	50.00	.866	.429	.406	.500	50	
YF0125UI	1	50.00	.984	.429	.406	.500	50	
YF0132UI	1	50.00	1.260	.429	.406	.500	50	
YF2/022UI	2/0	70.00	.866	.563	.531	.622	50	
YF2/025UI	2/0	70.00	.984	.563	.531	.622	50	
YF2/032UI	2/0	70.00	1.260	.563	.531	.622	50	
YF3/025UI	3/0	95.00	.984	.614	.583	.681	50	YF1/03/0T00L
YF3/030UI	3/0	95.00	1.180	.614	.583	.681	50	
YF3/032UI	3/0	95.00	1.260	.614	.583	.681	50	
YF4/032UI	4/0	120.00	1.260	.697	.657	.795	25	
YF4/034UI	4/0	120.00	1.390	.697	.657	.795	25	YF4/0250T00L
YF4/040UI	4/0	120.00	1.570	.697	.657	.795	25	
YF25032UI	250	150.00	1.260	.811	.722	.906	25	Y644HSXT
YF25040UI	250	150.00	1.570	.811	.722	.906	25	
YF35032UI	350	185.00	1.260	.843	.795	.941	25	
YF35040UI	350	185.00	1.570	.843	.795	.941	25	

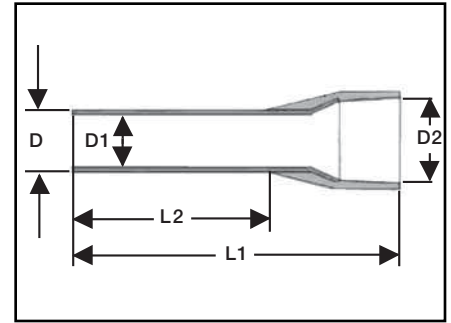
Blue highlighted items are industry standard and most frequently ordered.

TYPE YF-I FERRULES

INSULATED FERRULES

For Use On Copper Conductor
Offered in Series D, T & W

Ferrules are electrical connectors used to terminate stranded wires, creating a quality, reliable connection by ensuring each wire strand conducts current when properly crimped. Especially useful when multiple reconnections could be necessary within terminal blocks or other similar devices. No breakage of wire strands when wire is bent, under stress or in a vibration environment. Twin ferrule designs allow two individual stranded conductors to be connected to the same termination, most beneficial in jumpering or other similar applications. Both styles (single and twin) offer the same features and benefits. The YF-TOOL series has been designed to crimp both the bare (type YF-UI) and insulated (type YF-I) ferrules.



Features & Benefits

- Made of electrolytic copper, tin plated
- Smooth funnel entry to make wire insertion easier
- Secure contacting even after multiple reconnections
- Long-term contact resistance
- No fraying of strands
- No breakage of wire strands when wire is bent, under stress or in vibration environment
- RoHS compliant

Catalog Number*	Wire Size		Dimensions in Inches					Bag Qty.	Tooling
	AWG	mm ²	L1 (in.)	L2 (in.)	D (in.)	D1 (in.)	D2 (in.)		
YF2806I	28	.14	.409	.236	.037	.031	.043	500	YF3206TOOL
YF2808I	28	.14	.488	.315	.037	.031	.043	500	
YF2606I	26	.25	.409	.236	.043	.031	.075	500	YF3206TOOL YF2610TOOL
YF2608I	26	.25	.488	.315	.043	.031	.075	500	
YF2406I	24	.34	.409	.236	.043	.031	.075	500	YF3206TOOL YF2610TOOL YF2214TOOL YF2210TOOL
YF2408I	24	.34	.488	.315	.043	.031	.075	500	
YF2205I	22	.50	.433	.197	.051	.039	.102	500	
YF2206I	22	.50	.472	.236	.051	.039	.102	500	
YF2208I	22	.50	.551	.315	.051	.039	.102	500	
YF2210I	22	.50	.630	.394	.051	.039	.102	500	
YF2212I	22	.50	.709	.472	.051	.039	.102	500	
YF2006I	20	.75	.472	.236	.059	.047	.110	500	
YF2008I	20	.75	.551	.315	.059	.047	.110	500	
YF2010I	20	.75	.630	.394	.059	.047	.110	500	
YF2012I	20	.75	.709	.472	.059	.047	.110	500	
YF2018I	20	.75	.957	.709	.059	.047	.110	500	
YF1806I	18	1.00	.472	.236	.067	.055	.118	500	
YF1808I	18	1.00	.551	.315	.067	.055	.118	500	
YF1810I	18	1.00	.630	.394	.067	.055	.118	500	
YF1812I	18	1.00	.709	.472	.067	.055	.118	500	
YF1818I	18	1.00	.957	.709	.067	.055	.118	500	
YF1606I	16	1.50	.484	.236	.079	.067	.138	500	
YF1608I	16	1.50	.551	.315	.079	.067	.138	500	
YF1610I	16	1.50	.630	.394	.079	.067	.138	500	
YF1612I	16	1.50	.709	.472	.079	.067	.138	500	
YF1615I	16	1.50	.839	.591	.079	.067	.138	500	
YF1618I	16	1.50	.945	.709	.079	.067	.138	500	
YF1408I	14	2.50	.591	.315	.098	.087	.165	500	
YF1410I	14	2.50	.685	.394	.098	.087	.165	500	
YF1412I	14	2.50	.709	.472	.098	.087	.165	500	
YF1418I	14	2.50	.945	.709	.098	.087	.165	500	
YF1425I	14	2.50	.984	.709	.098	.087	.165	500	

* Insert series letter for complete catalog number:
(example: YF2806IW).

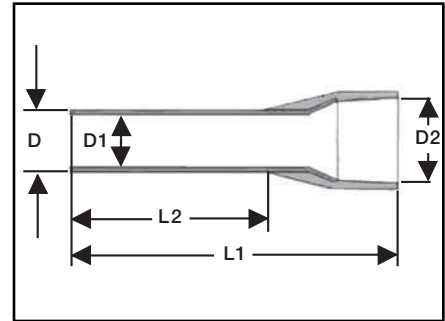
Blue highlighted items are industry standard and most frequently ordered.

TYPE YF-I FERRULES

(Continued)

INSULATED FERRULES

For Use On Copper Conductor
Offered in Series D, T & W



Catalog Number*	Wire Size		Dimensions in Inches					Bag Qty.	Tooling
	AWG	mm ²	L1 (in.)	L2 (in.)	D (in.)	D1 (in.)	D2 (in.)		
YF1209I	12	4.00	.646	.315	.126	.110	.189	500	YF3206TOOL YF2610TOOL YF2210TOOL
YF1210I	12	4.00	.699	.394	.126	.110	.189	500	
YF1212I	12	4.00	.787	.472	.126	.110	.189	500	
YF1218I	12	4.00	1.020	.709	.126	.110	.189	500	YF3206TOOL YF2610TOOL YF2210TOOL YF1006TOOL
YF1010I	10	6.00	.728	.394	.154	.138	.248	100	
YF1012I	10	6.00	.787	.472	.154	.138	.248	100	
YF1018I	10	6.00	1.020	.709	.154	.138	.138	100	YF3206TOOL YF1006TOOL YF0801TOOL
YF0812I	8	10.00	.866	.472	.193	.177	.299	100	
YF0815I	8	10.00	.929	.591	.193	.177	.299	100	
YF0818I	8	10.00	1.10	.709	.193	.177	.299	100	YF3206TOOL YF1006TOOL YF0801TOOL
YF0612I	6	16.00	.945	.472	.244	.228	.346	100	
YF0618I	6	16.00	1.10	.709	.244	.228	.346	100	
YF0412I	4	25.00	.945	.472	.303	.287	.441	100	YF0801TOOL YF0401TOOL
YF0415I	4	25.00	1.06	.591	.303	.287	.441	100	
YF0416I	4	25.00	1.10	.630	.303	.287	.441	100	
YF0418I	4	25.00	1.18	.709	.303	.287	.441	100	
YF0422I	4	25.00	1.42	.866	.303	.287	.441	100	
YF0425I	4	25.00	1.45	.984	.303	.287	.441	100	
YF0216I	2	35.00	1.18	.630	.343	.327	.500	100	
YF0218I	2	35.00	1.26	.709	.343	.327	.500	100	
YF0222I	2	35	1.15	.709	.343	.327	.50	100	
YF0225I	2	35	1.53	.984	.343	.327	.50	100	
YF0112I	1	50	1.10	.472	.429	.406	.591	50	
YF0116I	1	50	1.26	.630	.429	.406	.591	50	
YF0120I	1	50	1.417	.787	.429	.406	.591	50	
YF0122I	1	50	1.50	.866	.429	.406	.591	50	
YF0125I	1	50	1.58	.984	.429	.406	.591	50	
YF0130I	1	50	1.81	1.18	.429	.406	.591	50	
YF2/020ID	2/0	70	1.48	.787	.563	.531	.631	25	YF1/03/0TOOL
YF2/025ID	2/0	70	1.654	.984	.563	.531	.631	25	
YF2/027ID	2/0	70	1.73	1.06	.563	.531	.631	25	
YF3/025ID	3/0	95	1.73	.984	.614	.583	.725	25	
YF3/030ID	3/0	95	1.95	1.18	.614	.583	.725	25	
YF4/027ID	4/0	120	1.87	1.06	.697	.657	.799	25	YF4/0250TOOL
YF4/030ID	4/0	120	2.09	1.18	.697	.657	.799	25	
YF4/032ID	4/0	120	2.07	1.26	.697	.657	.799	25	
YF4/034ID	4/0	120	2.15	1.34	.697	.657	.799	25	
YF25025ID	250	150	1.99	.984	.811	.772	.921	25	
YF25027ID	250	150	2.07	1.06	.811	.772	.921	25	
YF25032ID	250	150	2.27	1.26	.811	.772	.921	25	
YF25038ID	250	150	2.50	1.50	.811	.772	.921	25	

* Insert series letter for complete Catalog Number:
(example: YF2806IW).
** Note that 2/0 size and above only available in D Series.

Blue highlighted items are industry standard and most frequently ordered.

TYPES YF, YF-I FERRULES

INSULATED TWIN FERRULES

For Use On Copper Conductor



Ferrules are electrical connectors used to terminate stranded wires, creating a quality, reliable connection by ensuring each wire strand conducts current when properly crimped. Especially useful when multiple reconnections could be necessary within terminal blocks or other similar devices. No breakage of wire strands when wire is bent, under stress or in a vibration environment. Twin ferrule designs allow two individual stranded conductors to be connected to the same termination, most beneficial in jumpering or other similar applications. Both styles (single and twin) offer the same features and benefits. The YF-TOOL series has been designed to crimp both the bare (type YF) and insulated (type YF-I) ferrules.

Features & Benefits

- Made of electrolytic copper, tin plated
- Smooth funnel entry to make wire insertion easier
- Secure contacting even after multiple reconnections
- Long-term contact resistance
- No fraying of strands
- No breakage of wire strands when wire is bent, under stress or in vibration environment
- RoHS compliant

Catalog Number*	Wire Size		Dimensions in Inches				Bag Qty.	Tooling
	AWG	mm ²	L1 (in.)	D (in.)	D1 (in.)	D2 (in.)		
YFTW0614_	6	16.00	1.230"	0.343"	0.327"	0.748"	100	YF2210TOOL
YFTW0814_	8	10.00	1.050"	0.272"	0.256"	0.496"	100	
YFTW1014_	10	6.00	1.030"	0.209"	0.193"	0.374"	100	
YFTW1212_	12	4.00	0.909"	0.165"	0.150"	0.346"	100	
YFTW1410_	14	2.5	0.728"	0.130"	0.114"	0.315"	500	
YFTW1413_	14	2.5	0.846"	0.130"	0.114"	0.315"	500	
YFTW1608_	16	1.5	0.610"	0.102"	0.091"	0.252"	500	
YFTW1612_	16	1.5	0.768"	0.102"	0.091"	0.252"	500	
YFTW1808_	18	1.00	0.594"	0.094"	0.083"	0.217"	500	
YFTW1810_	18	1.00	0.673"	0.094"	0.083"	0.217"	500	
YFTW2008_	20	.75	0.579"	0.083"	0.071"	0.217"	500	
YFTW2010_	20	.75	0.657"	0.083"	0.071"	0.217"	500	
YFTW2208_	22	.50	0.571"	0.071"	0.059"	0.197"	500	

* Insert series number after Catalog Number (example: YFTW0614W is the W series).

Blue highlighted items are industry standard and most frequently ordered.

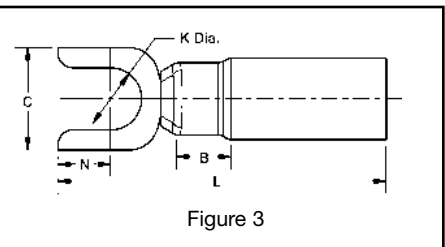
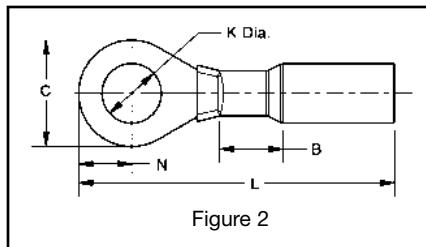
TYPE YHS

HYDENT™ HEAT SHRINK RING AND FORK TONGUE TERMINALS

For Use On Copper Conductor

Features and Benefits

- Made from pure copper, annealed for maximum strength
- Color-coded, imprinted with wire size
- Serrated barrels offer maximum wire contact and tensile strength
- Electro tin plated for corrosion resistance
- Wire Strip Length 5/16"



Catalog No. (100/bag)	Catalog No. (20/bag)	Fig. No.	Stud Size	Conductor Size	Tongue Type	Dimensions					Tongue Thickness
						B	C	K	L	N	
YHSA18K6	YHSA18K6RK	2	#6	22 - 18 AWG	Ring	0.22"	0.29"	0.14"	1.18"	0.14"	0.03"
YHSA18K8	YHSA18K8RK	2	#8	22 - 18 AWG	Ring	0.22"	0.32"	0.17"	1.18"	0.17"	0.03"
YHSA18K10	YHSA18K10RK	2	#10	22 - 18 AWG	Ring	0.22"	0.32"	0.20"	1.18"	0.33"	0.03"
YHSA18K14	YHSA18K14RK	2	1/4	22 - 18 AWG	Ring	0.22"	0.47"	0.27"	1.40"	0.38"	0.03"
YHSA18K38	YHSA18K38RK	2	3/8	22 - 18 AWG	Ring	0.22"	0.56"	0.40"	1.45"	0.28"	0.03"
YHSA14K8	YHSA14K8RK	2	#8	16 - 14 AWG	Ring	0.22"	0.32"	0.17"	1.18"	0.16"	0.03"
YHSA14K10	YHSA14K10RK	2	#10	16 - 14 AWG	Ring	0.22"	0.32"	0.20"	1.18"	0.17"	0.03"
YHSA14K14	YHSA14K14RK	2	1/4	16 - 14 AWG	Ring	0.22"	0.47"	0.26"	1.40"	0.23"	0.03"
YHSA14K38	YHSA14K38RK	2	3/8	16 - 14 AWG	Ring	0.22"	0.56"	0.40"	1.45"	0.28"	0.03"
YHSA10K10	YHSA10K10RK	2	#10	12 - 10 AWG	Ring	0.22"	0.34"	0.20"	1.15"	0.18"	0.04"
YHSA10K14	YHSA10K14RK	2	1/4	12 - 10 AWG	Ring	0.22"	0.56"	0.26"	1.45"	0.15"	0.04"
YHSA10K38	YHSA10K38RK	2	3/8	12 - 10 AWG	Ring	0.22"	0.56"	0.40"	1.45"	0.28"	0.04"
YHSA10K12	YHSA10K12RK	2	1/2	12 - 10 AWG	Ring	0.22"	0.69"	0.53"	1.69"	0.36"	0.04"
YHSA18K10F	YHSA18K10FRK	3	#10	22 - 18 AWG	Fork	0.22"	0.31"	0.20"	1.18"	0.27"	0.03"
YHSA14K10F	YHSA14K10FRK	3	#10	16 - 14 AWG	Fork	0.22"	0.34"	0.21"	1.17"	0.27"	0.03"
YHSA10K10F	YHSA10K10FRK	3	#10	12 - 10 AWG	Fork	0.22"	0.37"	0.21"	1.16"	0.27"	0.04"

Recommended Tooling MR22.

Blue highlighted items are industry standard and most frequently ordered.

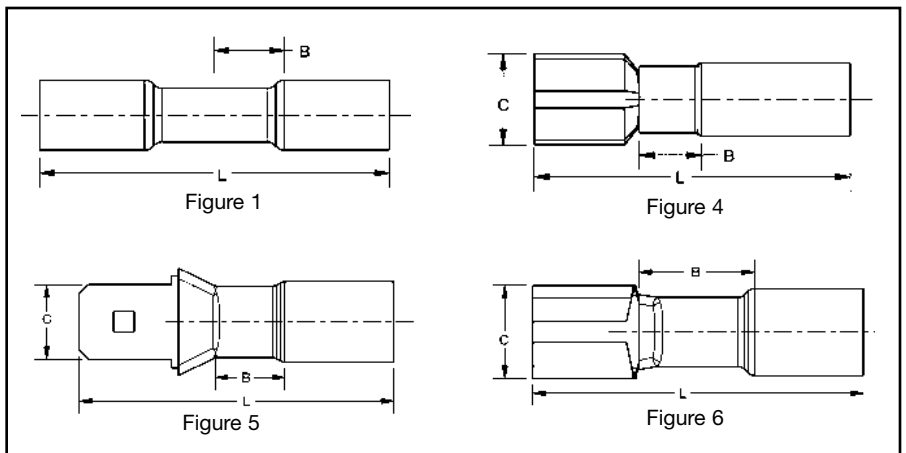
TYPE YHS

HYDENT™ HEAT SHRINK BUTT SPLICES AND QUICK DISCONNECTS

For Use On Copper Conductor

Features and Benefits

- Made from pure copper, annealed for maximum strength
- Color-coded, imprinted with wire size
- Serrated barrels offer maximum wire contact and tensile strength
- Electro tin plated for corrosion resistance
- Wire strip length 5/16"



Catalog No. (100/bag)	Catalog No. (20/bag)	Fig. No.	Conductor Size	Connector Type	Dimensions		
					B	C	L
YHSS18	YHSS18RK	1	22 - 18 AWG	Butt Splice	0.25"	—	1.50"
YHSS14	YHSS14RK	1	16 - 14 AWG	Butt Splice	0.25"	—	1.50"
YHSS10	YHSS10RK	1	12 - 10 AWG	Butt Splice	0.25"	—	1.60"
YHSQ18F25X03	YHSQ18F25X03RK	4	22 - 18 AWG	Female Quick Disconnect	0.22"	0.30"	1.27"
YHSQ18M25X03	YHSQ18M25X03RK	5	22 - 18 AWG	Male Quick Disconnect	0.22"	0.25"	1.25"
YHSQ14F25X03	YHSQ14F25X03RK	4	16 - 14 AWG	Female Quick Disconnect	0.22"	0.30"	1.27"
YHSQ14M25X03	YHSQ14M25X03RK	5	16 - 14 AWG	Male Quick Disconnect	0.22"	0.25"	1.25"
YHSQ10F25X03	YHSQ10F25X03RK	4	12 - 10 AWG	Female Quick Disconnect	0.22"	0.30"	1.27"
YHSQ10M25X03	YHSQ10M25X03RK	5	12 - 10 AWG	Male Quick Disconnect	0.22"	0.25"	1.19"
YHSFQ18F25X03	YHSFQ18F25X03RK	6	22 - 18 AWG	Fully Insulated Female Quick Disconnect	0.22"	0.38"	1.28"
YHSFQ14F25X03	YHSFQ14F25X03RK	6	16 - 14 AWG	Fully Insulated Female Quick Disconnect	0.22"	0.38"	1.28"
YHSFQ10F25X03	YHSFQ10F25X03RK	6	12 - 10 AWG	Fully Insulated Female Quick Disconnect	0.22"	0.38"	1.34"

Recommended Tooling MR22.

Blue highlighted items are industry standard and most frequently ordered.

TYPE HSSHRACK

**HYDENT™ HEAT SHRINK
FULLY LOADED RACK**

For Use On Copper Conductor

Standard crimp terminals leave the wire exposed allowing in moisture or other contaminants which can result in corrosion. Corrosion reduces the amount of current the wire can carry safely. The integrity of the electrical system can be compromised when unsealed electrical connections are utilized. Heat shrink terminals provide a durable seal blocking out contaminants ensuring a better connection.

Features and Benefits

- Made from pure copper, annealed for maximum strength
- Color-coded, imprinted with wire size
- Serrated barrels offer maximum wire contact and tensile strength
- Electro tin plated for corrosion resistance
- Wire strip length 5/16"



List of Items Included in HSSHRACK

Quantity of Bags included in rack (20 pieces per bag)	Catalog Number	Stud Size	Conductor Size	Description
5	YHSS18RK	—	22 - 18 AWG	Butt Splice
5	YHSS14RK	—	16 - 14 AWG	Butt Splice
5	YHSS10RK	—	12 - 10 AWG	Butt Splice
5	YHSA18K10RK	#10	22 - 18 AWG	Ring Tongue Terminal
5	YHSA14K10RK	#10	16 - 14 AWG	Ring Tongue Terminal
5	YHSA10K10RK	#10	12 - 10 AWG	Ring Tongue Terminal
5	YHSA18K10FRK	#10	22 - 18 AWG	Fork Tongue Terminal
5	YHSA14K10FRK	#10	16 - 14 AWG	Fork Tongue Terminal
5	YHSA10K10FRK	#10	12 - 10 AWG	Fork Tongue Terminal
5	YHSFQ18F25X03RK	—	22 - 18 AWG	Fully Insulated Female Quick Disconnect
5	YHSFQ14F25X03RK	—	16 - 14 AWG	Fully Insulated Female Quick Disconnect
5	YHSFQ10F25X03RK	—	12 - 10 AWG	Fully Insulated Female Quick Disconnect
—	—	—	—	Durable Cardboard Rack Display

Recommended Tooling MR22.

Blue highlighted items are industry standard and most frequently ordered.

TYPE HSKIT

HYDENT™ HEAT SHRINK CONNECTORS AND INSTALLATION TOOL

For Use On Copper Conductor

Standard crimp terminals leave the wire exposed allowing in moisture or other contaminants which can result in corrosion. Heat shrink terminals provide a durable seal, blocking out contaminants, ensuring a better connection.

Features and Benefits

- Made from pure copper, annealed for maximum strength
- Color-coded, imprinted with wire size
- Serrated barrels offer maximum wire contact and tensile strength
- Electro tin plated for corrosion resistance
- Wire strip length 5/16"



List of Items Included in HSKIT							
Quantity of Pieces included in kit	Description	Conductor Size	Stud Size	Quantity of Pieces included in kit	Description	Conductor Size	Stud Size
50	Butt Splice	22 - 18 AWG	—	10	Fork Terminal	22 - 18 AWG	#6
50	Butt Splice	16 - 14 AWG	—	10	Fork Terminal	22 - 18 AWG	#8
30	Butt Splice	12 - 10 AWG	—	10	Fork Terminal	22 - 18 AWG	#10
15	Butt Splice	#8 AWG	—	10	Fork Terminal	16 - 14 AWG	#6
10	Ring Terminal	22 - 18 AWG	#6	10	Fork Terminal	16 - 14 AWG	#8
10	Ring Terminal	22 - 18 AWG	#8	10	Fork Terminal	16 - 14 AWG	#10
10	Ring Terminal	22 - 18 AWG	#10	10	Fork Terminal	12 - 10 AWG	#6
10	Ring Terminal	22 - 18 AWG	5/16"	10	Fork Terminal	12 - 10 AWG	#8
10	Ring Terminal	22 - 18 AWG	1/4"	10	Fork Terminal	12 - 10 AWG	#10
10	Ring Terminal	22 - 18 AWG	3/8"	15	Fork Terminal	#8 AWG	3/8"
10	Ring Terminal	16 - 14 AWG	#8	50 (25 ea)	Male & Female Quick Disc.	22 - 18 AWG	—
10	Ring Terminal	16 - 14 AWG	#10	50 (25 ea)	Male & Female Quick Disc.	16 - 14 AWG	—
10	Ring Terminal	16 - 14 AWG	5/16"	50 (25 ea)	Male & Female Quick Disc.	12 - 10 AWG	—
10	Ring Terminal	16 - 14 AWG	1/4"	30 (15 ea)	Male & Female Bullet	16 - 14 AWG	—
10	Ring Terminal	16 - 14 AWG	3/8"	20 (10 ea)	Male & Female Ins. Quick Disc.	22 - 18 AWG	—
10	Ring Terminal	16 - 14 AWG	#6	20 (10 ea)	Male & Female Ins. Quick Disc.	16 - 14 AWG	—
10	Ring Terminal	12 - 10 AWG	#8	20 (10 ea)	Male & Female Ins. Quick Disc.	12 - 10 AWG	—
10	Ring Terminal	12 - 10 AWG	#10	10	Step Down Butt Splice	16 - 14 to 22 - 18 AWG	—
10	Ring Terminal	12 - 10 AWG	5/16"	10	Step Down Butt Splice	12 - 10 to 16 - 14 AWG	—
10	Ring Terminal	12 - 10 AWG	1/4"	1	Ratchet Crimp Tool	—	—
10	Ring Terminal	12 - 10 AWG	3/8"	1	Metal Case with Dividers	—	—
15	Ring Terminal	#8 AWG	#10				

Blue highlighted items are industry standard and most frequently ordered.

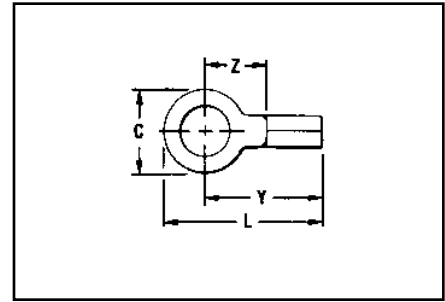
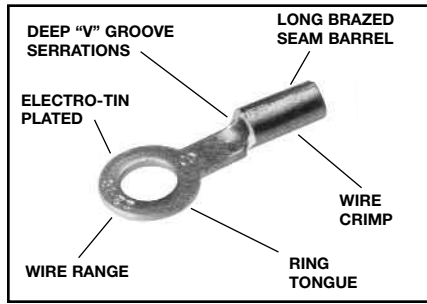
TYPES T AND YAD

HYLUG™

Uninsulated Compression Terminal, Ring Tongue

The Type T uninsulated terminals are constructed of pure electrolytic copper. Designed with a long brazed seam barrel, standard neck, deep V groove inner serrations and electro-tin plated. The terminals are ideal for control wiring and other standard duty applications.

The ring tongue provides a secure termination under the screw head that cannot be removed without the complete removal of the screw. Two or more terminals can easily be stacked on a common stud.



Features and Benefits

- Constructed of pure electrolytic copper.
 - ◇ Provides maximum conductivity, low resistance and ductility for excellent crimp forming properties.
- Long brazed seam barrel and deep V groove inner serrations.
 - ◇ Provides optimum conductivity reliability and holding power after crimping.
- Electro-tin plated.
 - ◇ Provides durable long-lasting corrosion resistance.
- Wire range is clearly marked on terminal.
 - ◇ Provides easy identification.
- Inspection hole.
 - ◇ Provides an easy visual check of wire insertion.
- Long neck terminal.
 - ◇ Permits easy bending and stacking of several terminals on a common stud.



Catalog Number	Wire Range	Stud Size	Dimensions				Bulk Catalog Number*	Installation Tooling	Tape Mounted Catalog Number 2000/Reel	Installation Tooling	Wire Strip Length
			C	L Max.	Y Max.	Z Min.					
T18-4	22-18	3, 4	.25	.65	.53	.24	YAD18-4	Non-Ratchet: Y10D, Y10-22 Ratchet: MR8G98, Y8MRB-1, MR20	YAD18-4M	TFM with DFM6D1 Die	9/32"
T18-6		4-6	.25	.65	.53	.24	YAD18-6M				
T18-8		6-8	.31	.77	.61	.33	YAD18-8M				
T18-10		8-10	.31	.77	.61	.33	YAD18-10M				
T18-14		1/4	.45	.96	.73	.44	YAD18-14M				
T18-516		5/16	.45	.96	.73	.44	YAD18-516				
T18-38		3/8	.53	1.05	.78	.49	YAD18-38				
T14-4	20-14	3, 4	.25	.67	.55	.26	YAD14-4	Non-Ratchet: Y10D, Y10-22 Ratchet: MR8G98, Y8MRB-1, MR20	YAD14-4M	TFM with DFM5D1 Die	9/32"
T14-6		4-6	.25	.67	.55	.26	YAD14-6M				
T14-8		6-8	.31	.77	.61	.33	YAD14-8M				
T14-10		8-10	.31	.77	.61	.33	YAD14-10M				
T14-14		1/4	.45	.96	.73	.44	YD14-14				
T14-516		5/16	.45	.96	.73	.44	YAD14-516				
T14-38		3/8	.53	1.05	.78	.49	YAD14-38				
T10-6	12-10*	4-6	.37	.83	.64	.29	YAD10-6	Non-Ratchet: Y10D, Y10-22 Ratchet: MR8G98, Y8MRB-1, MR20	—	TFM with DFM4D1 Die	11/32"
T10-8		6-8	.37	.83	.64	.29	YAD10-8		•YAD10-8M		
T10-10		8-10	.37	.83	.64	.29	YAD10-10		—		
T10-14		1/4	.46	.97	.74	.39	YAD10-14		*YAD10-14M		
T10-516		5/16	.53	1.02	.76	.41	YAD10-516		*YAD10-516M		
T10-38		3/8	.58	1.08	.79	.44	YAD10-38		*YAD10-38M		

* NOTE: UL Listed for 14-10 when installed with MR8G98 and Y8MRB-1 tools only.
• 1000 pcs/reel.

Blue highlighted items are industry standard and most frequently ordered.

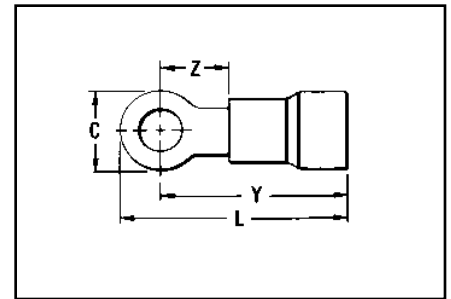
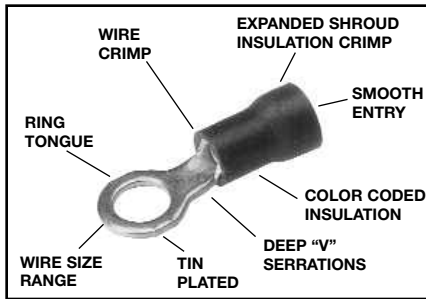
TYPES TP AND BA

VINYLUTM

Terminal – Polyvinylchloride Insulated, Ring Tongue

600 Volts Max., 105° C Max.

VINYLUTM Type TP is designed for commercial and light duty industrial control and power circuit applications. Supplied with an expanded polyvinyl chloride (PVC) insulation shroud, many tongue variations and rated 600V makes TP terminals versatile and economical.



Features and Benefits

- Expanded insulation support accepts standard and large wire diameters.
 - ◇ Lowers inventory requirements, permits greater flexibility and provides insulation support.
- Funnel entry.
 - ◇ Easy wire insertion.
- Manufactured of pure electrolytic copper.
 - ◇ Provides maximum conductivity, low resistance and ductility for excellent crimp forming properties.
- Deep V groove serrations in the inner barrel.
 - ◇ Provides added holding strength and better conductivity.
- Electro-tin plated.
 - ◇ Provides durable long-lasting corrosion resistance.

Catalog Number	Wire Range	Stud Size	Dimensions				Bulk Catalog Number*	Installation Tooling	Tape Mounted Catalog Number 2000/Reel	Installation Tooling	Wire Strip Length
			C	L	Y	Z					
TP16-4	22-16 Max. Insul. Dia. Accom.: .145 Color Code: Red	3-4	.22	.71	.61	.17	BA16E4	Plier Type: Y10-22, Y10D or Ratchet Tool: MR8-89-1, MR8-G96, MR15	BA16E4M	TFM with DFM3D-1 Die	13/64"
TP16-6		4-6	.25	.74	.62	.18	BA16E6		BA16E6M		
TP16-8		6-8	.31	.85	.70	.26	BA16E8		BA16E8M		
TP16-10		8-10	.31	.85	.70	.26	BA16E10		BA16E10M		
TP16-14		12, 1/4	.40	.99	.79	.36	BA16E14		BA16E14M		
TP16-38		3/8	.53	1.15	.88	.45	BA16E38		BA16E38M		
TP14-4	16-14 Max. Insul. Dia. Accom.: .180 Color Code: Blue	3-4	.22	.71	.61	.17	BA14E4	Plier Type: Y10-22, Y10D or Ratchet: MR8-89-1, MR8-G96, MR15	BA14E4M	TFM with DFM2D-1 Die	13/64"
TP14-6		4-6	.25	.74	.62	.18	BA14E6		BA14E6M		
TP14-8		6-8	.31	.85	.70	.26	BA14E8		BA14E8M		
TP14-10		8-10	.31	.85	.70	.26	BA14E10		BA14E10M		
TP14-14		12, 1/4	.40	.99	.79	.36	BA14E14		BA14E14M		
TP14-516		5/16	.53	1.15	.88	.45	BA14E516		BA14E516M		
TP14-38	3/8	.53	1.15	.88	.45	BA14E38	—				
TP10-6	12-10 Max. Insul. Dia. Accom.: .260 Color Code: Yellow	4-6	.31	.91	.75	.20	BA10E6	Plier Type: Y10-22, Y10D or Ratchet: MR8-89-1, MR15, M8ND w/N10HET-23	*BA10E6M	TFM with DFM1D5 Die	19/64"
TP10-8		6-8	.36	1.00	.81	.26	BA10E8		*BA10E8M		
TP10-10		8-10	.36	1.00	.81	.26	BA10E10		*BA10E10M		
TP10-14		12, 1/4	.53	1.22	.95	.40	BA10E14		*BA10E14M		
TP10-38		3/8	.53	1.27	1.00	.45	BA10E38		*BA10E38M		

* 1000/Reel

Blue highlighted items are industry standard and most frequently ordered.

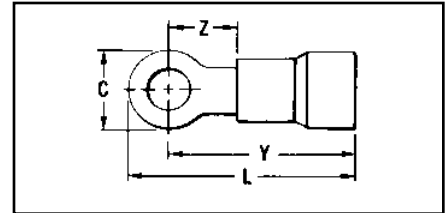
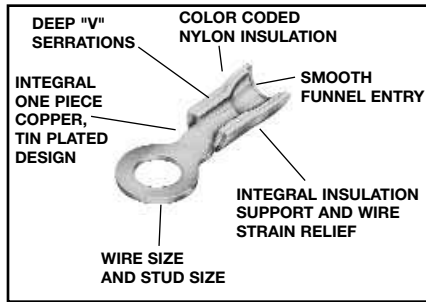
TYPES TN AND YAES

INSULUG™

Terminal – Nylon Insulated, Ring-Tongue

300 Volts Max., 105°C Max.

INSULUG™ type TN Nylon-insulated terminals are designed for heavy duty industrial, utility and military power and control-circuit applications for wire sizes 26 AWG through 10 AWG. They offer high dielectric strength and stability in oily conditions and meet military CLASS 1 and CLASS 2 requirements per SAE-AS25036 and the requirements of military specifications SAE-AS7928.



Features and Benefits

- An integral one-piece copper barrel /insulation grip and wire strain relief design.
 - ◇ Provides improved physical strength characteristics over a multi-piece design.
- Manufactured of pure electrolytic copper.
 - ◇ Provides maximum conductivity, low resistance and ductility for excellent crimp forming properties.
- Brazed seam.
 - ◇ Provides a stronger barrel design to minimize any possible splitting and eliminates folding.
- Deep inner barrel serrations.
 - ◇ Provides excellent electrical conductivity and pullout strength values.
- Smooth funnel entry.
 - ◇ Easy wire insertion.
- The insulation is locked in place.
 - ◇ Will not twist off, thereby maintains proper dielectric values.
- Electro-tin plated.
 - ◇ Provides durable long-lasting resistance to corrosion.
- Color-coded and clearly marked.
 - ◇ Provides quick, easy wire size identification.
- Ring Tongue.
 - ◇ Provides a secure termination under the screw head that can not be removed without complete removal of the screw.
- Two or more terminals may be stacked on a common stud easily.
 - ◇ Provides flexibility and versatility.

Catalog Number	Wire Range	Stud Size	SAE-25036	Dimensions				Bulk ▲ Catalog Number	Installation Tooling	Wire Strip Length	
				C	L Max.	Y Max.	Z Max.				
TN18-4	22-18 Max. Insul. Dia. Accom.: .120 Color Code: Red	3-4	-148	.23	.76	.64	.20	YAES18N48	Non-Ratchet: Y10D, Y1022 Ratchet: MR8-83	7/32"	
TN18-6		4-6	-101	.25	.76	.64	.20	YAES18N1			
TN186G1		4-6	-102	.25	.87	.74	.49	YAES18N2			
TN18-8		6-8	-149	.31	.91	.76	.29	YAES18N49			
TN18-10		8-10	-103	.31	.91	.76	.29	YAES18N3			
TN18-14		12, 1/4	-150	.46	1.09	.87	.41	YAES18N50			
TN18-516		5/16	-104	.46	1.09	.87	.41	YAES18N4			
TN18-38	3/8	-105	.53	1.17	.91	.45	YAES18N5				
TN14-4	16-14 Max. Insul. Dia. Accom.: .153 Color Code: Blue	3-4	-152	.25	.79	.67	.24	YAES14N52		Non-Ratchet: Y10D, Y1022 Ratchet: MR8-83	7/32"
TN14-6		4-6	-106	.25	.79	.67	.24	YAES14N6			
TN146G1		4-6	-107	.30	.91	.76	.51	YAES14N7			
TN14-8		6-8	-153	.31	.89	.74	.31	YAES14N53			
TN14-10		8-10	-108	.31	.89	.74	.31	YAES14N8			
TN14-14		12, 1/4	-154	.45	1.08	.86	.43	YAES14N54			
TN1412G1		1/2	-155	.71	1.32	.97	.72	YAES14N55			
TN14-516	5/16	-109	.45	1.08	.86	.43	YAES14N9				
TN14-38	3/8	-110	.53	1.16	.90	.47	YAES14N10				
TN10-6	12-10 Max. Insul. Dia. Accom.: .210 Color Code: Yellow	4-6	-111	.37	1.12	.94	.26	YAES10N11	Non-Ratchet: Y10D, Y1022 Ratchet: MR8-83		11/32"
TN10-8		6-8	-156	.37	1.12	.94	.26	YAES10N56			
TN10-10		8-10	-112	.37	1.12	.94	.26	YAES10N12			
TN10-14		12, 1/4	-157	.53	1.32	1.06	.37	YAES10N57			
TN10-516		5/16	-113	.53	1.32	1.06	.37	YAES10N13			
TN10-38		3/8	-114	.58	1.34	1.05	.40	YAES10N14			

▲ Class 1 and class 2. Meets the requirement of aerospace specification SAE-AS7928.

Blue highlighted items are industry standard and most frequently ordered.

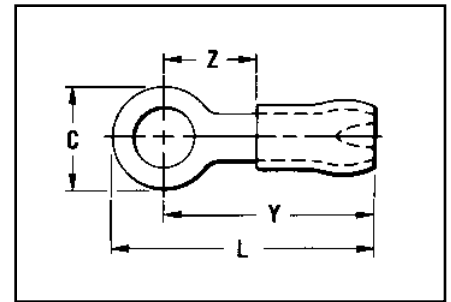
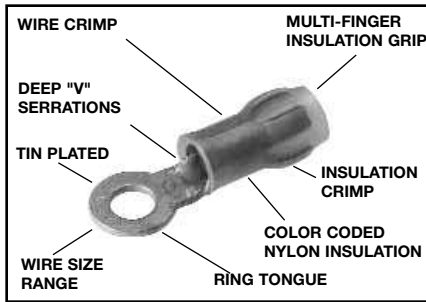
TYPES YAE-G AND YAE-N

INSULUG™

Terminal – Nylon Insulated, Ring-Tongue Multi-Finger Insulation Grip

300 Volts Max., 105° C Max.

INSULUG™ Types YAE-G and YAE-N nylon insulated terminals are designed with a multi-finger insulation grip for paper, EPR and other elastic or hard to grip insulations. The metal fingers firmly grip the insulation providing superior holding characteristics, cable support and strain relief. Types YAE-G and YAE-N terminals are rated 105° C and meet military standard AS25036 Class 2 and SAE-AS7928 requirements.



Features and Benefits

- Multi-finger insulation grip.
 - ◇ Provides superior insulation holding characteristics, especially on EPR and other elastic-type insulations.
- Brazed seam.
 - ◇ Provides stronger more durable termination.
- Manufactured of pure electrolytic copper.
 - ◇ Provides maximum conductivity, low resistance and ductility for excellent crimp forming properties.
- Deep V groove, inner barrel serrations.
 - ◇ Provide optimum conductivity, reliability, and holding power.
- Smooth funnel entry.
 - ◇ Easy wire insertion.

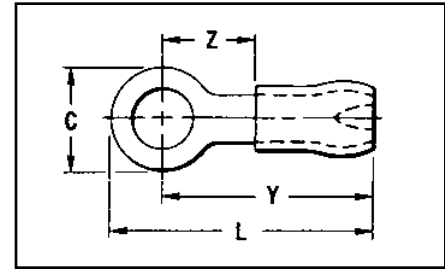
Catalog Number	Wire Range	Stud Size	** SAE-AS25036	Dimensions				Bulk Catalog Number*	Installation Tooling	Tape Mounted Catalog Number 2000/Reel	Installation Tooling	Wire Strip Length
				C	L Max.	Y Max.	Z Max.					
YAE22G18 BOX•	26-20	1.2	-148	.15	.70	.62	.22	YAE22G18•	M8ND with N14HET-25V1 Die MR8-1A	YAE22G18M•	TFM with DFM11D1 Die	5/32"
YAE22G12 BOX•	Max. Insul.	1.2	—	.25	.75	.62	.22	YAE22G12•		—		
YAE22G16 BOX•	Dia. Accom.:	3.4	-144	.18	.75	.62	.22	YAE22G16•		YAE22G16M•		
YAE22G13 BOX•	.098	4-6	-145	.25	.75	.62	.22	YAE22G13•		YAE22G13M•		
YAE22G14 BOX•	Color Code:	6-8	-146	.32	.83	.67	.27	YAE22G14•		—		
YAE22G15 BOX•	Amber	8-10	-147	.32	.83	.67	.27	YAE22G15•		—		

• Not UL recognized or Listed.
 * 1000/Box
 ** Class 2

Blue highlighted items are industry standard and most frequently ordered.

TYPES YAE-G AND YAE-N
(Continued)

INSULUG™



Catalog Number	Wire Range	Stud Size	**SAE-AS25036	Dimensions				Bulk Catalog Number	Installation Tooling	Tape Mounted Catalog Number 2000/Reel	Installation Tooling	Wire Strip Length
				C	L Max.	Y Max.	Z Min.					
YAE18N29 BOX	22-16 † Max. Insul. Dia. Accom.: .125 Color Code: Red	1-2	—	.14	.75	.68	.19	YAE18N29	MR8-1A, MR8-33T-1 (no extra dies required) M8ND with one of following dies: N14HET-25V1 N10ET-9 N14HET-15 N10ET-23 or Y10D Y10-22	YAE18N29M	TFM with DFM10D1 die	3/16"
YAE18N27 BOX		2	—	.19	.77	.66	.19	YAE18N27		YAE18N27M		
—		4	—	.25	.80	.68	.19	YAE18-N7		YAE18-N7M		
—		4	-148	.25	.80	.68	.19	YAE18N17		—		
—		4	—	.23	.78	.68	.19	YAE18N26		YAE18N26M		
YAE18N21 BOX		4-6	-102	.25	.89	.77	.28	YAE18N21		YAE18N21M		
—		4-6	—	.22	.79	.68	.19	YAE18N25		YAE18N25M		
YAE18G43 BOX		4-6	-101	.25	.90	.68	.19	YAE18G43		YAE18G43M		
YAE18N24 BOX		6-8	—	.28	.92	.77	.28	YAE18N24		YAE18N24M		
YAE18N1 BOX		6-8	-149	.31	.92	.77	.28	YAE18N1		YAE18N1M		
YAE18N BOX		8-10	-103	.31	.92	.77	.28	YAE18N		YAE18NM		
YAE18N2 BOX		12, 1/4	-150	.45	1.11	.88	.40	YAE18N2		YAE18N2M		
YAE18N3 BOX		5/16	-104	.45	1.11	.88	.40	YAE18N3		YAE18N3M		
YAE18N15 BOX		3/8	-105	.53	1.19	.93	.43	YAE18N15		YAE18N15M		
YAE14N43 BOX		16-14 Max. Insul. Dia. Accom.: .156 Color Code: Blue	4-6	-106	.25	.82	.69	.20		YAE14N43		
YAE14N1 BOX	6-8		-153	.31	.92	.75	.28	YAE14N1	YAE14N1M			
YAE14N BOX	8-10		-108	.31	.92	.75	.28	YAE14N	YAE14NM			
YAE14N2 BOX	1/4		-154	.45	1.11	.88	.40	YAE14N2	YAE14N2M			
YAE14N3 BOX	5/16		-109	.45	1.11	.88	.40	YAE14N3	YAE14N3M			
YAE14N4 BOX	3/8	-110	.53	1.19	.93	.44	YAE14N4	YAE14N4M				
—	14-12 Max. Insul. Dia. Accom.: .180 Color Code: Green	10	—	.31	1.06	.93	.29	YAE12N7	—	TFM with DFM7D1 die	21/64"	
YAE12N9 BOX		6-8	—	.31	1.06	.90	.28	YAE12N9	YAE12N9M			
YAE12N1 BOX		6-8	—	.31	1.06	.90	.28	YAE12N1	YAE12N1M			
YAE12N BOX		8-10	—	.31	1.06	.90	.28	YAE12N	YAE12NM			
YAE12N2 BOX	1/4	—	.46	1.25	1.02	.40	YAE12N2	YAE12N2M				
YAE10N5 BOX	12-10 Max. Insul. Dia. Accom.: .209 Color Code: Yellow	4-6	-111	.38	1.15	.96	.28	YAE10N5	* YAE10N5M	TFM with DFM7D1 die	3/8"	
YAE10N11 BOX		6-8	-156	.38	1.17	.98	.30	YAE10N11	* YAE10N11M			
YAE10N BOX		8-10	-112	.38	1.15	.96	.28	YAE10N	* YAE10NM			
YAE10N3 BOX		1/4	-157	.54	1.39	1.12	.44	YAE10N3	* YAE10N3M			
YAE10N2		5/16	-113	.54	1.39	1.12	.44	YAE10N2	* YAE10N2M			
YAE10N4		3/8	-114	.54	1.39	1.12	.44	YAE10N4	* YAE10N4M			

* 1000/Reel
** Class 2
† Use Y10D or Y10-22 only when crimping #16 AWG.

Blue highlighted items are industry standard and most frequently ordered.

TYPE YAES-K

INSULUG™

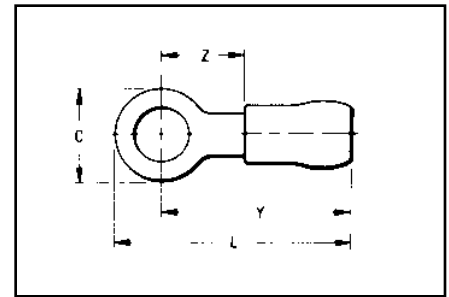
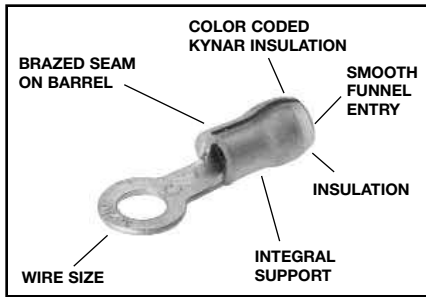
NUCLEAR TERMINALS AND SPLICES

Radiation Resistant Insulated Terminals, Ring Tongue

Polyvinylidene (PVF₂) Insulated 200 Megarads, -60° through 150° C, 600 Volts

The type YAES-K, radiation resistant KYNAR® insulated terminals are designed and have been tested to meet the requirements for class 1E critical circuits as set by the Nuclear Regulatory Commission (NRC). Additional testing for compatibility under loss of coolant accident (LOCA) conditions with cross-link polyethylene (XLP) and HYPALON® insulations was completed successfully. Compatibility with ethylene propylene rubber (EPR) insulation was determined by analysis. Each terminal is manufactured of pure electrolytic copper per QQ-C 576 and bright tin-plated per MIL-T-10727 and meets or exceeds SAE-AS7928 using stranded copper AWG wire. The KYNAR® insulation offers 200 megarad radiation resistance.

The Type YAES-K radiation resistant KYNAR® - insulated terminals are suitable for class 1E critical circuits and non-critical nuclear associated applications.



Features and Benefits

- KYNAR® insulation.
 - ◇ Provides 200 megarad radiation resistance plus successfully tested for insulation compatibility.
- An integral one-piece copper barrel/insulation grip and wire strain relief design.
 - ◇ Provides improved physical strength characteristics over a multi-piece design.
- The KYNAR® insulation is locked in place.
 - ◇ The insulation will not move or twist off, thereby maintains proper dielectric values.
- Manufactured from pure electrolytic copper.
 - ◇ Provides maximum conductivity, low resistance and ductility for excellent crimp forming properties.
- Bright tin-plated per MIL-T-10727.
 - ◇ Provides durable long-lasting resistance to corrosion.
- Deep inner barrel serrations.
 - ◇ Provides excellent electrical conductivity and tensile strength values.
- Brazed seam.
 - ◇ Provides a stronger barrel design to minimize any possible splitting and eliminates folding.
- Smooth funnel entry.
 - ◇ Easy wire insertion.
- Color coded terminals.
 - ◇ Provides easy wire size identification and inspection.
- Coded raised dots in the die area of the connection after compression.
 - ◇ Provides visual identification that the correct tool and die were used for proper installation.
- Inspection hole.
 - ◇ Permits visual check for proper wire insertion.
- Ring tongue design.
 - ◇ Provides a secure termination under screw head that cannot be removed without the complete removal of the screw.
- Multiple terminals may be stacked on a common stud easily.
 - ◇ Provides flexibility and versatility.

KYNAR - is a registered trademark of the Pennwalt Corp. for Polyvinylidene Fluoride (PVF₂)

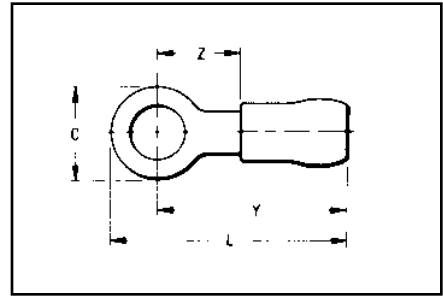
HYPALON - Is a registered trademark of the E.I. DuPont deNemours & Co., Inc.

Blue highlighted items are industry standard and most frequently ordered.

TYPE YAES-K

(Continued)

INSULUG™



Catalog Number	Wire Range	Stud Size	Dimensions				Installation Tooling	Wire Strip Length
			C	L Max.	Y Max.	Z Min.		
YAES18K48	22-18 AWG str. Max. Insul. Dia. Accom.: .120 Color Code: Red	4	.23	.76	.64	.20	Ratchet Tool: MR10G6 Crimp Mark: (1) Small Dot Red Groove Calibration Gauge: PG-373-1	7/32"
YAES18K-1		6	.23	.76	.64	.20		
YAES18K-2		6	.25	.87	.74	.29		
YAES18K-49		8	.31	.91	.76	.29		
YAES18K-3		10	.31	.91	.76	.29		
YAES18K-50		1/4	.46	1.09	.86	.41		
YAES18K-4		5/16	.46	1.09	.86	.41		
YAES18K-5		3/8	.53	1.18	.91	.45		
YAES14K-6	16-14 AWG str. Max. Insul. Dia. Accom.: .153 Stock Thickness: .032 Color Code: Blue	6	.25	.77	.65	.22	Ratchet Tool: MR10G6 Crimp Mark: (2) Small Dots Blue Groove Calibration Gauge: PG-371-1	7/32"
YAES14K-7		6	.31	.91	.76	.29		
YAES14K-53		8	.31	.91	.76	.29		
YAES14K-8		10	.31	.91	.76	.29		
YAES14K-54		1/4	.46	1.09	.86	.41		
YAES14K-9		5/16	.46	1.09	.86	.41		
YAES14K-10	3/8	.53	1.18	.91	.45			
YAES10K-11	12-10 AWG str. Max. Insul. Dia. Accom.: .210 Stock Thickness: .040 Color Code: Yellow	6	.38	1.12	.94	.26	Ratchet Tool: MR10G6 Crimp Mark: (1) Large Dot Calibration Gauge: PG-372-1	3/8"
YAES10K-11T1		6	.31	1.09	.94	.26		
YAES10K-56		8	.38	1.12	.94	.26		
YAES10K-12		10	.38	1.12	.94	.26		
YAES10K-57		1/4	.53	1.32	1.06	.37		
YAES10K-13		5/16	.53	1.32	1.06	.37		
YAES10K-14		3/8	.58	1.34	1.05	.40		
YAES10K-58		1/2	.72	1.41	1.06	.45		

Blue highlighted items are industry standard and most frequently ordered.

TYPES YAV BOX AND YAV

HYLUG™

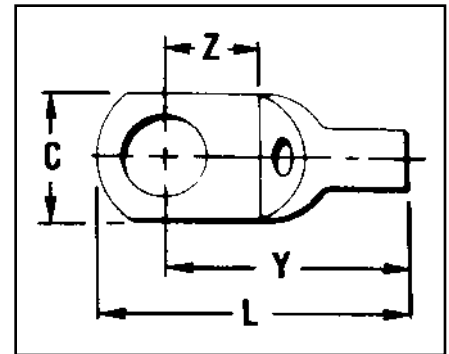
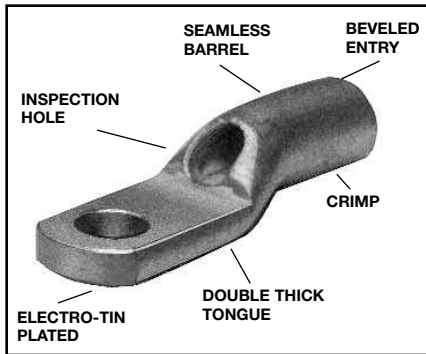
Seamless Uninsulated Compression Heavy Duty Ring Tongue Terminal

#22-10 Stranded and Solid Copper

HYLUG™ type YAV is a seamless, heavy duty uninsulated compression ring tongue terminal manufactured from pure electrolytic copper tubing and is for use on copper commercial (code) cable, type AN aircraft cable and extra flexible conductors. Because of its seamless design, the YAV HYLUG™ also accommodates solid conductors.

The seamless tubing produces a double thick tongue and a strong connector for demanding applications that require high reliability. Applications include industrials, hospitals, electric utilities, aircraft, shipboard and marine, computers, steel mills, mining equipment and other equipment that is subject to vibration or requiring dependable electrical performance.

The YAV-HYLUG™ terminals meet the requirements of SAE-AS7928.



(See table on following page for specifications)

Features and Benefits

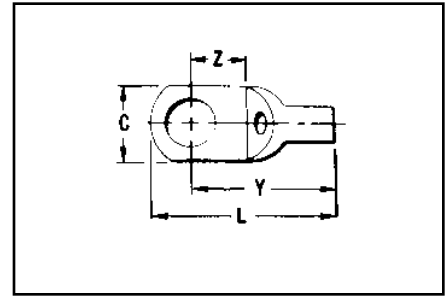
- Manufactured from seamless pure electrolytic copper tubing.
 - ◇ Provides maximum conductivity, low resistance and excellent ductility for crimping.
- Seamless tubular crimp barrel design.
 - ◇ No seams to split resulting in a very high quality electrical connection. Also can be used on solid conductor.
- Double thick tongue.
 - ◇ Provides a very strong terminal tongue.
- Produced from tubular copper.
 - ◇ Extra copper material assures the compression connector will operate cooler than the conductors it connects.
- Internally bevelled barrel.
 - ◇ Provides easy cable entry, especially for flexible conductors.
- Inspection hole.
 - ◇ Provides easy visual check for proper conductor insertion.
- Electro-tin plated.
 - ◇ Provides long lasting durable corrosion resistance.
- Nickel plating available, add "NK" suffix."
 - ◇ Nickel plated HYLUGs™ provide high temperature applications up to 650° F continuous service and 750° F intermittent service.

Blue highlighted items are industry standard and most frequently ordered.

TYPES YAV BOX AND YAV

HYLUG™

Seamless Uninsulated
Compression Heavy Duty
Ring Tongue Terminal



Catalog Number	Wire Range	Stud Size	Dimensions				Bulk Catalog Number	Installation Tooling	Wire Strip Length
			C	L Max.	Y Max.	Z Min.			
YAV18-T4 BOX	22-18 Str. and Sol.	3, 4	.19	.62	.54	.16	YAV18-T4	Non-Ratchet: Y10D, Y10-22 Ratchet: MR8G98, MR8-9Q, Y8MRB-1, MR20	9/32"
YAV18-L33 BOX		4-6	.25	.67	.55	.18	YAV18-L33		
YAV18-T5 BOX		4-6	.31	.76	.61	.24	YAV18-T5		
YAV18-T1 BOX		6-8	.31	.76	.61	.24	YAV18-T1		
YAV18 BOX		8-10	.31	.76	.61	.24	YAV18		
YAV14-L33 BOX	20-14 Str.	4-6	.25	.71	.59	.18	YAV14-L33	Non-Ratchet: Y10D, Y10-22 Ratchet: MR8G98, MR8-9Q, Y8MRB-1, MR20	9/32"
YAV14-T5 BOX		4-6	.31	.79	.64	.24	YAV14-T5		
YAV14-T1 BOX		6-8	.31	.79	.64	.24	YAV14-T1		
YAV14-L36 BOX	20-12 Sol.	8-10	.29	.74	.59	.18	YAV14-L36	Non-Ratchet: Y10D, Y10-22 Ratchet: MR8G98, MR8-9Q, Y8MRB-1, MR20	9/32"
YAV14 BOX		8-10	.31	.79	.64	.24	YAV14		
YAV14-T2 BOX		1/4	.42	.99	.75	.32	YAV14-T2		
YAV14-T3 BOX		5/16	.44	.99	.75	.32	YAV14-T3		
YAV12-G2 BOX ■	14-12 Str.	8-10	.30	.82	.67	.24	YAV12-G2	Y10D, Y8MRB-1 M8ND w/N14HT	9/32"
YAV12-G3 BOX ■		1/4	.36	1.00	.76	.34	YAV12-G3		
YAV10-T7 BOX	†14 Str. 12-10 Str. and Sol.	4-6	.30	.93	.78	.24	YAV10-T7 *	Non-Ratchet: Y10D, Y10-22 Ratchet: MR8G98, MR8-9Q, Y8MRB-1, MR20, N10HT, N10HT-24	7/16"
YAV10-T11 BOX		6-8	.38	.97	.79	.26	YAV10-T11		
YAV10-L36 BOX		8-10	.29	.86	.71	.23	YAV10-L36		
YAV10 BOX		8-10	.38	.97	.79	.26	YAV10 *		
YAV10-T3 BOX		1/4	.47	1.10	.87	.32	YAV10-T3		
YAV10-T2 BOX		5/16	.53	1.13	.87	.31	YAV10-T2 *		
YAV10-T4 BOX		3/8	.56	1.18	.90	.35	YAV10-T4 *		
YAV9C-L36 BOX	10-9 Str.	8-10	.31	.97	.83	.15	YAV9C-L36	Ratchet: MR8-9Q, Y8MRB-1	7/16"
YAV9C-T9 BOX		1/4	.44	1.19	.95	.31	YAV9C-T9		
YAV9C-T4 BOX		5/16	.52	1.27	1.02	.36	—		

■ Use #14 groove
† UL Listed for 14 Str. to #10 Sol. & Str. when installed with MR8G98 and Y8MRB-1 tools only.
* Class 1 & 2 connectors.

Blue highlighted items are industry standard and most frequently ordered.

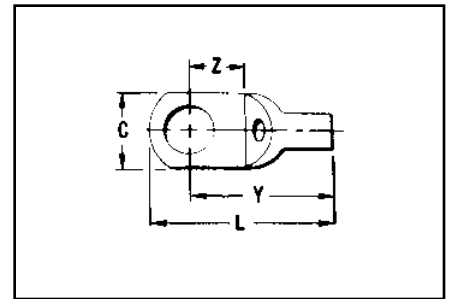
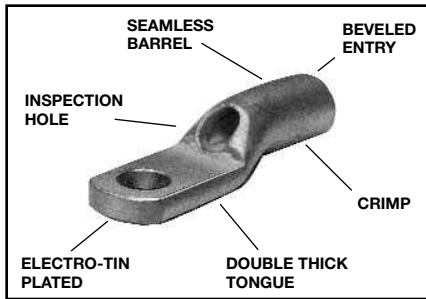
TYPES YAV-L BOX AND YAV-L

HYLUG™

Large Size Uninsulated Compression Terminals
Seamless Uninsulated Compression Ring Tongue Terminal

#8-4/0 Str. Copper

HYLUG™ Type YAV is a seamless, heavy duty uninsulated compression terminal manufactured from electrolytic copper and is for use on Type AN aircraft cable, extra flexible conductors and commercial (code) conductors. The seamless tubing produces a double thick tongue and seamless barrel design



provides a strong connector for demanding applications requiring high reliability.

Applications include aircraft, industrials, hospitals, electric utilities, marine, computers, and other equipment subject to vibration or requiring dependable electrical performance.

The YAV HYLUG™ terminals meet the requirements of SAE-AS7928 and are listed per AS20659 for use with copper aircraft cable per MIL-W-5086

The benefits of YAV-L connectors are the same as YAV connectors for stranded conductors.

Catalog Number	Wire Range	Stud Size	MS20659 Dash No.†	Dimensions (Inches)				Bulk Catalog Number	Installation Tooling				Wire Strip Length	
				C	L Max.	Y Max.	Z Min.		HYTOOL™ ■	Die Index	HYPRESS™			
										Y29B, Y29NC	Y35, Y39, Y750 ▲			
—	8 Aircraft	6-8	-140	.41	1.15	.94	.28	YAV8C-L14 •	Non-Ratchet: MY29-11 Ratchet: MR4C, MR8-9Q, Y8MRB-1, M8ND w/ N8CT Die Set	38	DV8L-1 Nest Y29PL Indentor (1) Crimp	UV8L Nest Y34PL Indentor (1) Crimp	1/2"	
YAV8C-L BOX		8-10	-107	.41	1.15	.94	.28	YAV8C-L •						
YAV8C-L1 BOX		1/4	-141	.46	1.22	.99	.32	YAV8C-L1 •						
YAV8C-L2 BOX		AN 8	5/16	-108	.57	1.30	1.01	.34						YAV8C-L2
YAV8C-L3 BOX		Flex	3/8	-129	.57	1.30	1.01	.34						YAV8C-L3 •
YAV8C-L4 BOX			1/2	-142	.73	1.52	1.14	.48						YAV8C-L4 •
YAV6C-L1 BOX	5 & 6 Aircraft	8-10	-130	.48	1.31	1.06	.29	YAV6C-L1 •	Non-Ratchet: MY28, MY29-11 Ratchet: MR4C	39	DV6L Nest Y29PL Indentor (1) Crimp	UV6L Nest Y34PLA Indentor (1) Crimp	1/2"	
YAV6C-L BOX		1/4	-109	.48	1.31	1.06	.29	YAV6C-L •						
YAV6C-L4 BOX		AN 5 & 6	5/16	-131	.60	1.43	1.13	.35						YAV6C-L4 •
YAV6C-L2 BOX		Flex	3/8	-110	.60	1.43	1.13	.35						YAV6C-L2 •
YAV6C-L10 BOX			1/2	-143	.73	1.64	1.26	.49						YAV6C-L10
YAV4C-L3 BOX			8-10	-144	.55	1.37	1.11	.28						YAV4C-L3 •
YAV4C-L BOX	4 Aircraft	1/4	-111	.55	1.37	1.11	.28	YAV4C-L	Non-Ratchet: MY28, MY29-11 Ratchet: MR4C	40	DV4L Nest Y29PL Indentor (1) Crimp	UV4L Nest Y34PLA Indentor (1) Crimp	1/2"	
YAV4C-L4 BOX		AN 4	5/16	-132	.63	1.48	1.17	.33						YAV4C-L4 •
YAV4C-L2 BOX		Flex	3/8	-112	.63	1.48	1.17	.33						YAV4C-L2 •
YAV4C-L5 BOX			1/2	-145	.73	1.68	1.30	.47						YAV4C-L5
—	2 Aircraft	8-10	-146	.69	1.72	1.37	.35	YAV2C-L3	Non-Ratchet: MY28, MY29-11	41	DV2L Nest Y29PL Indentor (1) Crimp	UV2L Nest Y34PLA Indentor (1) Crimp	5/8"	
YAV2C-L1 BOX		1/4	-113	.69	1.72	1.37	.35	YAV2C-L1 •						
YAV2C-L2 BOX		AN 2	5/16	-147	.69	1.72	1.37	.35						YAV2C-L2 •
YAV2C-L BOX		Flex	3/8	-114	.69	1.72	1.37	.35						YAV2C-L •
YAV2C-L4 BOX			1/2	-133	.77	1.89	1.49	.46						YAV2C-L4

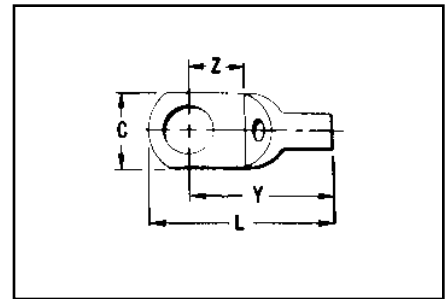
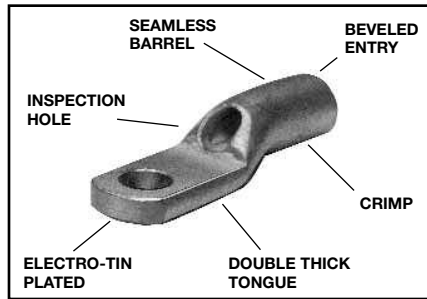
† Class 1.
• Available in (90°) right angle design. Suffix "RS" Replaces Suffix "L".
▲ Use Y35P3 Indentor Adapter with Y35 and Y39 Tool.

■ Bench Mount Adapter - Cat. BMY-BCH-MT is available for Type "MY" HYTOOLS™. Add "NK" suffix for nickel plated HYLUGs™ for high temperature applications up to 650° F continuous service and 750° intermittent service.

Blue highlighted items are industry standard and most frequently ordered.

TYPES YAV-L BOX AND YAV-L
(Continued)

HYLUG™



Catalog Number	Wire Range	Stud Size	MS20659 Dash No.†	Dimensions (Inches)				Bulk Catalog Number	Installation Tooling			Wire Strip Length	
				C	L	Y	Z		■ HYTOOL™	HYPRESS™			
										Die Index	Y29B, Y29NC		Y35, Y39, Y750 ▲
—	1 Aircraft AN 1 Flex	8-10	—	.76	1.67	1.32	.25	Non-Ratchet: MY28, MY29-11	42	DV1L Nest Y29PL Indentor (1) Crimp	UV1L Nest Y34PLA Indentor (1) Crimp	5/8"	
YAV1C-L1 BOX		1/4	-115	.76	1.84	1.45	.38						YAV1C-L1•
YAV1C-L2 BOX		5/16	-149	.76	1.84	1.45	.38						YAV1C-L2•
YAV1C-L BOX		3/8	-116	.76	1.84	1.45	.38						YAV1C-L
YAV1C-L3 BOX	1/2	-134	.86	1.97	1.54	.46	YAV1C-L3						
YAV25-L1 BOX	1/0 Aircraft AN 1/0 Flex	1/4	-117	.83	2.01	1.61	.43		YAV25-L1	43	DV25L Nest Y29PR Indentor (1) Crimp	UV25L Nest Y34PA Indentor (1) Crimp	11/16"
YAV25-L2 BOX		5/16	-151	.83	2.01	1.61	.43		YAV25-L2				
YAV25-L BOX		3/8	-118	.83	2.01	1.61	.43		YAV25-L•				
YAV25-L3 BOX		1/2	-135	.88	2.09	1.64	.46		YAV25-L3•				
YAV25-L4 BOX	5/8	—	.88	2.31	1.80	.62	YAV25-L4						
YAV26-L1 BOX	2/0 Aircraft AN 2/0 Flex	1/4	-153	.93	2.32	1.85	.48		YAV26-L1	44	DV26L Nest Y29PR Indentor (1) Crimp	UV26L Nest Y34PA Indentor (1) Crimp	13/16"
YAV26-L2 BOX		5/16	-119	.93	2.32	1.85	.48		YAV26-L2				
YAV26-L BOX		3/8	-120	.93	2.32	1.85	.48		YAV26-L•				
YAV26-L3 BOX		1/2	-136	.93	2.32	1.85	.48		YAV26-L3•				
YAV26-L12 BOX	5/8	—	.93	2.52	1.99	.62	YAV26-L12						
YAV27-L BOX	3/0 Aircraft AN 3/0 Flex	3/8	-121	1.03	2.45	1.93	.52		YAV27-L•	45	—	UV27L Nest Y34PA Indentor (1) Crimp	13/16"
YAV27-L1 BOX		1/2	-122	1.03	2.45	1.93	.52	YAV27-L1					
YAV27-L15 BOX	5/8	—	1.03	2.60	2.04	.62	YAV27-L15						
YAV28-L BOX	4/0 Aircraft	3/8	-123	1.12	2.72	2.16	.60	YAV28-L	46	—	UV28L Nest Y34PA Indentor (1) Crimp	7/8"	
YAV28-L12 BOX	1/2	-124	1.12	2.72	2.16	.60	YAV28-L12						
YAV28-L13 BOX	5/8	-159	1.12	2.72	2.16	.60	YAV28-L13						
YAV28-L14 BOX	3/4	-160	1.23	2.95	2.33	.78	YAV28-L14						

† Class 1.
• Available in (90°) right angle design. Suffix "RS" replaces suffix "L".
▲ Use Y35P3 Indentor Adapter with Y35 and Y39 tool.

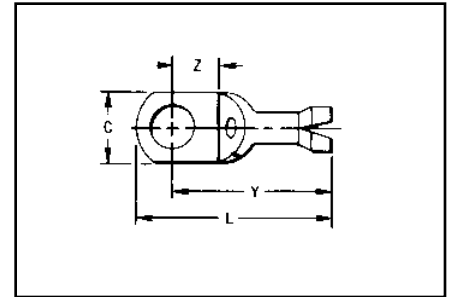
■ Bench Mount Adapter - Cat. BMY-BCH-MT is available for Type "MY" HYTOOLS™. Add "NK" suffix for nickel plated HYLUGs™ for high temperature applications up to 650° F continuous service and 750° intermittent service.

Blue highlighted items are industry standard and most frequently ordered.

TYPES YAV-H BOX AND YAV-H

HYLUG™

Seamless Uninsulated Compression Ring Tongue Terminal With Shroud



The type YAV-H HYLUG™ is a seamless heavy duty uninsulated compression ring tongue terminal with a shroud for an insulation grip and cable support. They are manufactured from pure electrolytic copper tubing for use on copper commercial (code) cable, Type AN aircraft cable and extra flexible conductors.

The seamless design produces a double thick tongue and the seamless barrel provides a strong highly reliable connection.

Meets the requirements of SAE-AS7928. The benefits of the Type YAV apply to the YAV-H HYLUG™.

Features and Benefits

- Shroud/insulation grip cable support and strain relief.
 - ◇ Protects the wire against breaking under vibration or flexing conditions.



Catalog Number	Wire Range	Stud Size	Max. Insul. Dia. Accom.	Dimensions				Bulk Catalog Number	Installation Tooling	Dies	Wire Strip Length
				C	L Max.	Y Max.	Z Min.				
YAV18-H BOX	22-18	8-10	.120"	.31	.91	.76	.24	YAV18-H	Plier: Y10D*, Y10-22*	M8ND, with N14HT, N14HT-5 Die	9/32"
YAV14-H1 BOX	20-14	6-8	.150"	.31	.95	.80	.24	YAV14-H1			Ratchet: MR8-G98, MR8-9Q, Y8MRB-1*, MR20*, M8ND
YAV14-H BOX		8-10		.31	.95	.80	.24	YAV14-H			
YAV14-H2 BOX		1/4		.42	1.14	.90	.32	YAV14-H2			
YAV10-H25 BOX	12-10	6-8	.192"	.31	1.04	.90	.24	YAV10-H25	MR8-9Q, Y8MRB-1*, MR20*, M8ND	M8ND, N10HT-24	7/16"
YAV10-H BOX		8-10		.38	1.09	.91	.24	YAV10-H			
YAV10-H3 BOX		1/4		.47	1.22	.99	.32	YAV10-H3			

* For conductor crimp only.

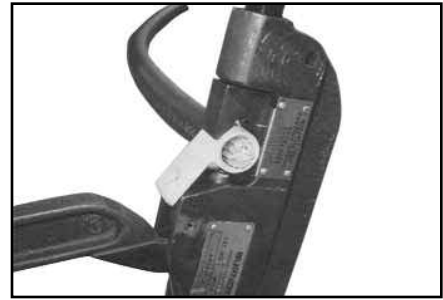
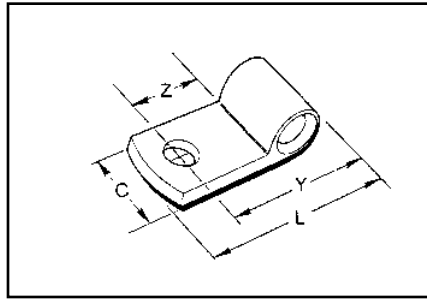
Blue highlighted items are industry standard and most frequently ordered.

TYPE YBM

HYLUG™

Flag-Type
Ring-Tongue Terminals

Made of pure electrolytic copper for maximum conductivity and ductility. Seamless extrusion tin plated to resist corrosion.



Catalog* Number	Wire Range		Stud Size	Dimensions in Inches				HYTOOL™	**Installation Tooling HYPRESS™ Y29NC, Y29B, Y35, Y750		Wire Strip Length
	Flex	Code		C	Z Min.	Y Max.	L Max.		Nest	Indenter	
YBM8C	8	8	8-10	0.44	0.34	0.77	1.01	MY28	DV8B	Y29PBL	7/16"
YBM8C-T2	DLO (37/24)		1/4	0.50	0.37	0.80	1.07				1/2"
YBM8CT4	MIL-W-5086		3/8	0.62	0.52	0.83	1.35				9/16"
YBM6C-L9	6	6	8-10	0.50	0.37	0.85	1.09		DV6BL-1	Y29PBL	1/2"
YBM6C-L	Class I,		1/4	0.50	0.37	0.85	1.12				9/16"
YBM6C-L2	DLO (81/24)		5/16	0.56	0.43	0.91	1.21				5/8"
YBM6C-L3	5086 MIL	3/8	0.62	0.52	0.88	1.21					
YBM4C-L4	4	4	8-10	0.50	0.37	0.99	1.18		DV4BL	Y29PBL	1/2"
YBM4C-L	Class I,		1/4	0.50	0.37	0.94	1.21				9/16"
YBM4C-L1	DLO (105/24)		5/16	0.56	0.43	1.00	1.30				5/8"
YBM4C-L2	MIL-W-5086	3/8	0.62	0.52	0.97	1.30					
YBM2C-L1	2	2	1/4	0.62	0.37	1.01	1.29		DV2BL	Y29PL	5/8"
YBM2C-L2	Class I,		5/16	0.62	0.43	1.07	1.38				
YBM2C-L	DLO (150/24)		3/8	0.62	0.37	1.01	1.35				
YBM1C-L3	1	1	1/2	0.88	0.71	1.29	1.74	DV1BL	Y29PL	1"	
YBM1C-L	Class I,		3/8	0.62	0.50	1.19	1.53				
YBM25-L1	1/0	—	1/4	0.69	0.52	1.19	1.83	DV25BL-1	Y29PR	5/8"	
YBM25-L2	Class I,		5/16	0.69	0.46	1.25	1.56			3/4"	
YBM25-L	DLO (275/24)		3/8	0.69	0.58	1.26	1.59				
YBM26-L	2/0	—	3/8	0.81	0.51	1.37	1.72	DV26L	13/16"		
	Class I,										
YBM28-1/4	4/0	—	1/4	.95	.72	1.66	2.09	DV28L	1"		
	Class I,										
	DLO (550/24)										
	MIL-W-5086										

* Lead Plated available, contact factory.

** See top illustration for recommended connector insertion into tools.

Blue highlighted items are industry standard and most frequently ordered.

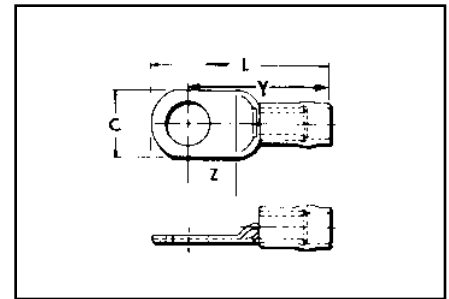
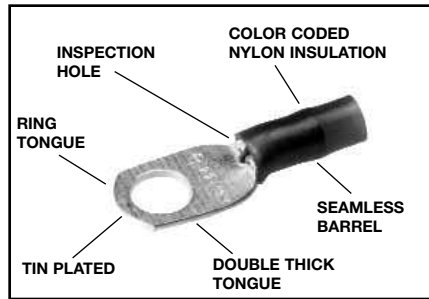
TYPES YAEV AND YAEV-L

INSULUG™

Terminal — Nylon Insulated — Ring-Tongue

300 Volts Max., 105° C Max.

The INSULUG™ type YAEV is designed for very demanding high vibration applications encountered in aircraft and aboard ships as well as motor lead applications in hospitals, industrials and generating plants. The nylon insulated seamless, electrolytic copper barrel with double thick tongue provides an extra strong insulated connection. The terminal is rated 105°C and meets SAE-AS7928 requirements.



Features and Benefits

- Double thick tongue.
 - ◇ Provides maximum reliability and electrical capacity plus an extra strong terminal tongue.
- Manufactured from one-piece pure electrolytic copper.
 - ◇ Provides high conductivity, low resistance with no seams to split plus ductility for excellent crimp forming properties.
- Electro-tin plated.
 - ◇ Provides long-lasting corrosion resistance.
- Nylon insulation is locked in place.
 - ◇ Insulation will not move or twist off.
- 300 volt nylon insulation.
 - ◇ High dielectric strength and stability in demanding oily environmental conditions.
- Color Coded.
 - ◇ Provides quick, easy wire size connector selection.

Catalog Number	Wire Range AWG AN Aircraft	Stud Size	AS25036-Dash No.	Dimensions				Bulk Catalog Number	Installation Tooling	Wire Strip Length
				C	Z Min.	Y Max.	L Max.			
YAEV18 BOX	22-18 Max. Insul. Dia. Accom.: .125 Color Code: Red	8-10	—	.31	.24	.77	.91	YAEV18	Ratchet: MR8D94	1/4"
YAEV14 BOX	18-14 Max. Insul. Dia. Accom.: .154 Color Code: Blue	8-10	—	.31	.24	.88	.94	YAEV14	Ratchet: MR8D94	1/4"
YAEV10-T7 BOX	12-10 Max. Insul. Dia. Accom.: .209 Color Code: Yellow	4-5	—	.30	.24	.95	1.09	YAEV10-T7	Ratchet: MR8D94 MR8-33-T1 M8ND with N10ET-9 Die MR4 10M MR18*	5/16"
YAEV10-T11 BOX		6-8	—	.37	.26	.97	1.14	YAEV10-T11		
YAEV10 BOX		8-10	—	.37	.26	.97	1.14	YAEV10		
YAEV10-L36 BOX		8-10	—	.30	.18	.89	1.04	YAEV10-L36		
YAEV10-T3 BOX		1/4	—	.47	.38	1.12	1.30	YAEV10-T3		
YAEV10-T2 BOX		5/16	—	.53	.31	1.12	1.30	YAEV10-T2		
YAEV10-T4 BOX		3/8	—	.56	.35	1.12	1.35	YAEV10-T4		

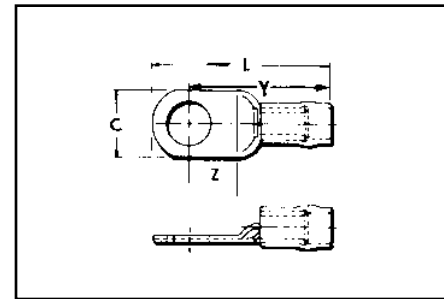
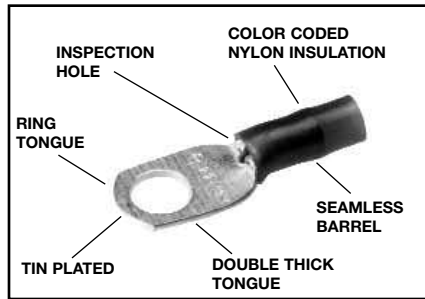
* #10 wire only.

Blue highlighted items are industry standard and most frequently ordered.

TYPES YAEV AND YAEV-L

(Continued)

INSULUG™



Catalog Number	Wire Range	Stud Size †	AS25036 Dash No.	Dimensions				Bulk Catalog Number	Installation Tooling	HYPRESS™ Y29NC		Wire Strip Length
				C	Z Min.	Y Max.	L Max.			Nest	Indenter	
YAEV8C-L14 BOX	8 Str. Max. Insul. Dia. Accom.: .258 Color Code: Red	6-8	—	.41	.28	1.20	1.40	YAEV8C-L14	Ratchet: M8ND with N8CET-2 Die Non-Ratchet: MY28-6* Hydraulic: Y35, Y39 with U8CET Die Set	DEV8L	Y29PLE-1 Y29PLE-1	7/16"
YAEV8C-L BOX		8-10	-115	.41	.28	1.20	1.40	YAEV8C-L				
YAEV8C-L1 BOX		1/4	-116	.46	.33	1.24	1.47	YAEV8C-L1				
YAEV8C-L2 BOX		5/16	-117	.57	.35	1.28	1.55	YAEV8C-L2				
YAEV8C-L3 BOX		3/8	-118	.57	.35	1.39	1.55	YAEV8C-L3				
YAEV8C-L4 BOX		1/2	—	.73	.47	1.39	1.75	YAEV8C-L4				
—	6 Str. Max. Insul. Dia. Accom.: .313 Color Code: Blue	8-10	-119**	.48	.29	1.33	1.56	YAEV6C-L1**	Non-Ratchet: MY28-6* Hydraulic: Y35, Y39 with U6CET Die Set	DEV6L	Y29PLE-1 Y29PLE-1	1/2"
—		1/4	-120**	.48	.29	1.33	1.56	YAEV6C-L**				
—		5/16	-121**	.60	.36	1.39	1.68	YAEV6C-L4**				
—		3/8	-122**	.60	.36	1.39	1.68	YAEV6C-L2**				
—	4 Str. Max. Insul. Dia. Accom.: .374 Color Code: Yellow	8-10	—	.55	.28	1.40	1.62	YAEV4C-L3	Non-Ratchet: MY28-6* Hydraulic: Y35, Y39 with U4CET Die Set	DEV4L	Y29PLE-1 Y29PLE-1	1/2"
—		1/4	-123	.55	.28	1.37	1.62	YAEV4C-L				
—		5/16	-124	.63	.34	1.43	1.74	YAEV4C-L4				
—		3/8	-125	.63	.34	1.43	1.74	YAEV4C-L2				
—	2 Str. Max. Insul. Dia. Accom.: .459 Color Code: Red	10	—	.69	.35	1.72	2.03	YAEV2C-L3	Non-Ratchet: MY28-6* Hydraulic: Y35, Y39 with U2CET Die Set	DEV2L	Y29PLE-1 Y29PLE-1	5/8"
—		1/4	-126	.69	.35	1.61	2.03	YAEV2C-L1				
—		5/16	—	.69	.35	1.68	2.03	YAEV2C-L2				
—		3/8	-127	.69	.35	1.69	2.03	YAEV2C-L				
—	1 Str. Max. Insul. Dia. Accom.: .516 Color Code: White	1/4	-129	.76	.38	1.63	2.14	YAEV1C-L1	Non-Ratchet: MY28-6* Hydraulic: Y35, Y39 with U1CET Die Set	DV26L	Y29PLE Y29PLE	5/8"
—		5/16	—	.76	.38	1.71	2.14	YAEV1C-L2				
—		3/8	-130	.76	.38	1.72	2.14	YAEV1C-L				
—		1/2	-131	.86	.47	1.86	2.27	YAEV1C-L3				
—	1/0 Str. Max. Insul. Dia. Accom.: .564 Color Code: Blue	1/4	-132	.83	.43	1.97	2.40	YAEV25-L1	Non-Ratchet: MY28-6* Hydraulic: Y35, Y39 with U25ET Die Set	DEV25L	Y29PLE Y29PLE	11/16"
—		5/16	—	.83	.43	1.97	2.40	YAEV25-L2				
—		3/8	-133	.83	.43	1.97	2.40	YAEV25-L				
—		1/2	-134	.88	.47	2.02	2.46	YAEV25-L3				
—	2/0 Str. Max. Insul. Dia. Accom.: .628 Color Code: Yellow	1/4	—	.93	.49	2.19	2.72	YAEV26-L1	Non-Ratchet: MY28-6* Hydraulic: Y35, Y39, Y750 with U26ET Die Set	DEV26L	Y29PLE Y29PLE	13/16"
—		5/16	-135	.93	.49	2.19	2.72	YAEV26-L2				
—		3/8	-136	.93	.49	2.19	2.72	YAEV26-L				
—		1/2	-137	.93	.49	2.27	2.72	YAEV26-L3				

† Additional terminal stud sizes available.
 * BMY, BNCH-MT bench mount adapter available.
 ** NOTE: Add suffix "M" to cat. number to conform to AS25036 - standard for these items only (example: YAEV6C-L1M).
 See above. Contact BURNDY® for UL Listed products.

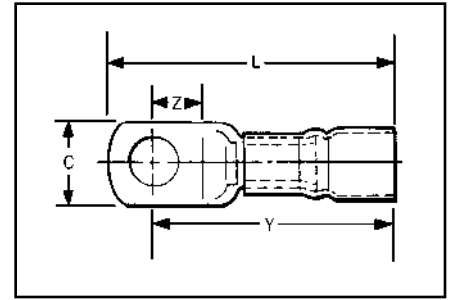
Blue highlighted items are industry standard and most frequently ordered.

TYPE YAEV-H

INSULUG™

Ring-Tongue Terminals

Nylon-Insulated
For Expanded Insulation



Designed to accommodate larger conductor insulation diameters. Made of one piece tin plated pure electrolytic seamless copper tubing for maximum conductivity and ductility. Color-coded insulating sleeves are locked into position. Inspection hole permits visual check of wire insertion. Meets requirements of SAE-AS7928.

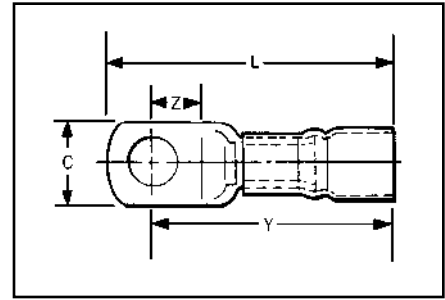
Bulk Catalog Number	Wire Range	Stud Size	C	Z Min.	Y Max.	L Max.	Installation Tooling		Wire Strip Length	
							HYTOOL™ HYPRESS™	Y29NC, Y29BH		
								Nest		Indenter
YAEV8C-H14	8 Max. Insul. Dia.: .30" Sleeve Color: Red	6-8	.41	.25	1.32	1.54	M8ND with N8CET-2 Die MY28-6* Y35, Y39 with U8CET Die	DEV8L	Y29PLE-1	7/16"
YAEV8C-H		8-10	.41	.25	1.34	1.54				
YAEV8C-H1		1/4	.46	.28	1.37	1.61				
YAEV8C-H2		5/16	.57	.33	1.39	1.68				
YAEV8C-H3		3/8	.57	.33	1.39	1.68				
YAEV8C-H4		1/2	.73	.47	1.52	1.91				
YAEV6C-H1	6 Max. Insul. Dia.: .38" Sleeve Color: Blue	8-10	.48	.28	1.48	1.73	MY28-6* Y35, Y39 with U6CET Die Set	DEV6L	Y29PLE-1	1/2"
YAEV6C-H		1/4	.48	.28	1.48	1.73				
YAEV6C-H4		5/16	.60	.33	1.54	1.85				
YAEV6C-H2		3/8	.60	.34	1.54	1.85				
YAEV6C-H10		1/2	.73	.47	1.68	2.06				
YAEV4C-H3	4 Max. Insul. Dia.: .44" Sleeve Color: Yellow	8-10	.55	.28	1.60	1.87	MY28-6* Y35, Y39 with U4CET	DEV4L	Y29PLE-1	1/2"
YAEV4C-H		1/4	.55	.28	1.60	1.87				
YAEV4C-H4		5/16	.62	.34	1.66	1.98				
YAEV4C-H2		3/8	.62	.34	1.66	1.98				
YAEV4C-H5		1/2	.73	.47	1.79	2.18				
YAEV2C-H3	2 Max. Insul. Dia.: .52" Sleeve Color: Red	8-10	.69	.35	1.98	2.34	MY28-6* Y35, Y39 with U2CET Die	DEV2L	Y29PLE	5/8"
YAEV2C-H1		1/4	.69	.35	1.98	2.34				
YAEV2C-H2		5/16	.69	.35	1.98	2.34				
YAEV2C-H		3/8	.69	.35	1.98	2.34				
YAEV2C-H4		1/2	.77	.47	2.10	2.49				
YAEV1C-H1	1 Max. Insul. Dia.: .58" Sleeve Color: White	1/4	.76	.38	2.10	2.49	MY28-6* Y35, Y39 with U1CET Die	DV26L	Y29PLE	5/8"
YAEV1C-H2		5/16	.76	.38	2.10	2.49				
YAEV1C-H		3/8	.76	.38	2.10	2.49				
YAEV1C-H3		1/2	.86	.47	2.10	2.62				

* BMV BNCH-MT bench mount adapter available.

Blue highlighted items are industry standard and most frequently ordered.

TYPE YAEV-H

(Continued)



Bulk Catalog Number	Wire Range	Stud Size	C	Z Min.	Y Max.	L Max.	Installation Tooling			Wire Strip Length
							HYTOOL™ HYPRESS™	Y29NC, Y29BH		
								Nest	Indentor	
YAEV25-H1	1/0	1/4	.83	.43	2.39	2.82	MY28-6* Y35, Y39 with U25ET Die Set	DEV25L	Y29PLE	11/16"
YAEV25-H2	Max. Insul.	5/16	.83	.43	2.39	2.82				
YAEV25-H	Dia.: .66"	3/8	.83	.43	2.39	2.82				
YAEV25-H3	Sleeve	1/2	.88	.47	2.43	2.88				
YAEV25-H4	Color: Blue	5/8	.88	.62	2.59	3.10	MY28-6* Y35, Y39 with U26ET Die Set	DEV26L	Y29PLE	13/16"
YAEV26-H1	2/0	1/4	.94	.48	2.65	3.13				
YAEV26-H2	Max. Insul.	5/16	.94	.48	2.65	3.13				
YAEV26-H	Dia.: .73"	3/8	.94	.48	2.65	3.13				
YAEV26-H3	Sleeve Color:	1/2	.94	.48	2.65	3.13				
YAEV26-H12	Yellow	5/8	.94	.62	2.70	3.33				

* BMY BNCH-MT bench mount adapter available.

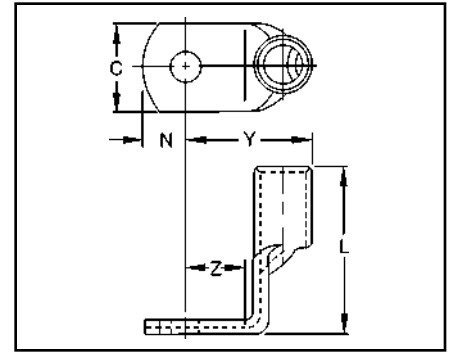
Blue highlighted items are industry standard and most frequently ordered.

TYPES YAV-R, YAV-RS

HYLUG™

Heavy Duty Right-Angle Terminals

Factory formed right angle HYLUG™ connectors made of seamless pure copper tubing. These rugged terminals withstand the most severe applications. Inspection hole in barrel permits visual check of wire insertion. Tin plated to resist corrosion. Meets requirements of SAE-AS7928.



Catalog Number	Wire Range	Stud Size	Dimensions					Installation Tooling	Wire Strip Length
			C	L Max.	Y Max.	Z Min.	N		
YAV18-R	22-18	8-10	.31	.35	.54	.25	.16	Non-Ratchet: Y10D Ratchet: Y8MRB-1, MR20, MR8-G98, MR8-9Q	1/4
YAV14-RL33	20-14	4-6	.25	.37	.45	.21	.12		
YAV14-R		8-10	.31	.38	.57	.25	.16		
YAV10-R	12-10	8-10	.38	.55	.58	.25	.19	5/16	
YAV10-R3 BOX		1/4	.47	.57	.60	.28	.23		

Bulk Catalog Number	Wire	Stud	Dimensions in Inches					Installation Tooling		Wire Strip Length	Tool ▲ Index Number	
			C	L Max.	Y Max.	Z Min.	N	HYTOOL™	HYPRESS™ Y29NC, Y29BH			
									Nest			Indentor
YAV8C-RS	8	8-10	.41	1.00	.75	.25	.20	MY28 MY29-11	DV8L*	Y29PL	7/16"	38
YAV8C-RS1		1/4	.41	1.00	.79	.28	.20					
YAV8C-RS3		3/8	.56	1.00	.85	.34	.20					
YAV6C-RS1	6	8-10	.50	1.02	.81	.28	.25	MY28 MY29-11	DV6L	Y29PL	1/2"	39
YAV6C-RS		1/4	.50	1.02	.81	.28	.25					
YAV6C-RS4		5/16	.59	1.02	.89	.34	.31					
YAV6C-RS2	3/8	.59	1.02	.89	.34	.31	MY28 MY29-11	DV4L	Y29PL	1/2"	40	
YAV4C-RS3	8-10	.53	1.04	.87	.28	.25						
YAV4C-RS	1/4	.53	1.04	.87	.28	.25						
YAV4C-RS4	5/16	.62	1.04	.95	.34	.31	MY28 MY29-11	DV2L	Y29PL	5/8"	41	
YAV4C-RS2	3/8	.62	1.04	.95	.34	.31						
YAV2C-RS1	1/4	.68	1.27	1.05	.34	.33						
YAV2C-RS2	5/16	.68	1.27	1.05	.34	.33	MY28 MY29-11	DV1L	Y29PL	5/8"	42	
YAV2C-RS	3/8	.68	1.27	1.05	.34	.33						
YAV1C-RS1	1/4	.73	1.35	1.15	.34	.33						
YAV1C-RS2	5/16	.73	1.35	1.15	.34	.33	MY28 MY29-11	DV25L	Y29PR	11/16"	43	
YAV25-RS	3/8	.82	1.51	1.29	.43	.39						
YAV25-RS3	1/2	.88	1.51	1.32	.47	.44						
YAV26-RS	2/0	3/8	.92	1.63	1.40	.47	.39	MY28 MY29-11	DV26L	Y29PR	13/16"	44
YAV26-RS3		1/2	.92	1.63	1.40	.47	.39					
YAV27-RS	3/0	3/8	1.02	1.65	1.54	.47	.48	MY28 MY29-11	—	—	7/8"	45
YAV28-RS	4/0	3/8	1.13	1.80	1.54	.47	.48					

* For aircraft applications (Flexible Cable) use die DV8L-1.
▲ See Present Installation Tool Index starting on page O-35.

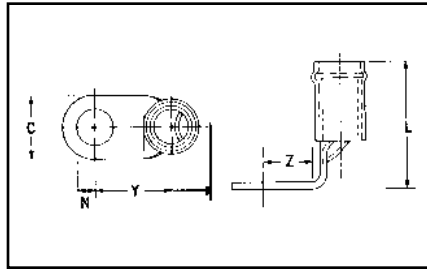
Blue highlighted items are industry standard and most frequently ordered.

TYPES YAEV-RS

INSULUG™

Nylon-Insulated
Right-Angle Terminals

Factory formed right angle INSULUG™ connectors made of seamless pure copper tubing. These rugged terminals withstand the most severe applications. Inspection hole in barrel permits visual check of wire insertion. Meets requirements of SAE-AS7928.



Catalog Number	Wire Size	Stud Size	N	C	Z Min.	Y Max.	L Max.	Installation Tooling			Length		
								HYTOOL™	HYPRESS™ Y29NC, Y29BH				
									Nest	Indentor			
YAEV8C-RS	8 Max. Insul. Dia.: .258" Sleeve Color: Red	8-10	.20	.41	.25	.82	1.25	A	DEV8L	Y29PLE-1	7/16"		
YAEV8C-RS1		1/4	.25	.41	.28	.84	1.25						
YAEV6C-RS1	6 Max. Insul. Dia.: .313" Sleeve Color: Blue	8-10	.25	.50	.28	.88	1.28	B	DEV6L		Y29PLE	1/2"	
YAEV6C-RS		1/4	.25	.50	.28	.88	1.20						
YAEV4C-RS	4 Max. Insul. Dia.: .374" Sleeve Color: Yellow	1/4	.25	.53	.28	.95	1.28	C	DEV4L			Y29PLE	1/2"
YAEV4C-RS2		3/8	.31	.62	.34	1.02	1.28						
YAEV2C-RS1	2 Max. Insul. Dia.: .459" Sleeve Color: Red	1/4	.33	.68	.34	1.13	1.62	D	DEV2L	Y29PLE	5/8"		
YAEV2C-RS		3/8	.33	.68	.34	1.13	1.62						
YAEV1C-RS2	1 Max. Insul. Dia.: .516" Sleeve Color: White	5/16	.33	.73	.34	1.22	1.65	E	DV26L		Y29PLE	5/8"	
YAEV1C-RS		3/8	.33	.73	.34	1.22	1.65						
YAEV25-RS	1/0 Max. Insul. Dia.: .564" Sleeve Color: Blue	3/8	.39	.81	.43	1.46	1.88	F	DEV25L			Y29PLE	11/16"
YAEV26-RS	2/0 Max. Insul. Dia.: .628" Sleeve Color: Yellow	3/8	.39	.92	.47	1.48	2.06	G	DEV26				13/16"

A	B	C	D	E	F	G
Ratchet: M8ND with N8CET-2 Die Non-Ratchet: MY28-6†† Hydraulic: Y35, Y39 with U8CET Die Set	Non-Ratchet: MY28-6†† Hydraulic: Y35, Y39 with U6CET Die Set	Non-Ratchet: MY28-6†† Hydraulic: Y35, Y39 with U4CET Die Set	Non-Ratchet: MY28-6†† Hydraulic: Y35, Y39 with U2CET Die Set	Non-Ratchet: MY28-6†† Hydraulic: Y35, Y39 with U1CET Die Set	Non-Ratchet: MY28-6†† Hydraulic: Y35, Y39 with U25ET Die Set	Non-Ratchet: MY28-6†† Hydraulic: Y35, Y39 with U26ET Die Set

†† BMY BNCH-MT bench mount adapter available.

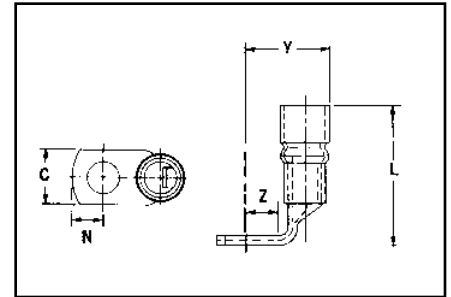
Blue highlighted items are industry standard and most frequently ordered.

TYPE YAEV-RH

INSULUG™

Nylon-Insulated
Right-Angle Terminals

Designed to Accommodate
Larger Conductor
Insulation Diameters



Factory formed right angle INSULUG™ connectors made of seamless pure copper tubing. These rugged terminals withstand the most severe applications. Inspection hole in barrel permits visual check of wire insertion. Tin plated to resist corrosion. Meets requirements of SAE-AS7928.

Catalog Number	Wire Size	Stud Size	N	C	Z Min.	Y Max.	L Max.	Installation Tooling			Length
								HYTOOL™	HYPRESS™ Y29NC, Y29BH		
									Nest	Indentor	
YAEV8C-RH	8 Max. Insul. Dia.: .30"	8-10	.20	.41	.25	.87	1.38	A	DEV8L	Y29PLE-1	7/16"
YAEV8C-RH1	Sleeve Color: Red	1/4	.25	.41	.28	.90	1.38				
YAEV6C-RH1	6 Max. Insul. Dia.: .38"	8-10	.25	.50	.28	.97	1.43	B	DEV6L		1/2"
YAEV6C-RH	Sleeve Color: Blue	1/4	.25	.50	.28	.97	1.43				
YAEV4C-RH	4 Max. Insul. Dia.: .44"	1/4	.25	.53	.28	1.04	1.53	C	DEV4L	1/2"	
YAEV4C-RH2	Sleeve Color: Yellow	3/8	.31	.62	.34	1.11	1.53				
YAEV2C-RH1	2 Max. Insul. Dia.: .52"	1/4	.33	.67	.34	1.22	1.88	D	DEV2L	5/8"	
YAEV2C-RH	Sleeve Color: White	3/8	.33	.67	.34	1.22	1.88				
YAEV1C-RH2	1 Max. Insul. Dia.: .52"	5/16	.33	.73	.34	1.32	1.99	E	DV26L	5/18"	
YAEV1C-RH	Sleeve Color: White	3/8	.33	.73	.34	1.32	1.99				
YAEV25-RH	1/0 Max. Insul. Dia.: .66"	3/8	.39	.81	.43	1.50	2.29	F	DEV25L	11/16"	
YAEV26-RH	2/0 Max. Insul. Dia.: .73"	3/8	.39	.92	.47	1.60	2.42	G	DEV26L	13/16"	

A	B	C	D	E	F	G
Ratchet: M8ND with N8CET-2 Die Non-Ratchet: MY28-6†† Hydraulic: Y35, Y39 with U8CET Die Set	Non-Ratchet: MY28-6†† Hydraulic: Y35, Y39 with U6CET Die Set	Non-Ratchet: MY28-6†† Hydraulic: Y35, Y39 with U4CET Die Set	Non-Ratchet: MY28-6†† Hydraulic: Y35, Y39 with U2CET Die Set	Non-Ratchet: MY28-6†† Hydraulic: Y35, Y39 with U1CET Die Set	Non-Ratchet: MY28-6†† Hydraulic: Y35, Y39 with U25ET Die Set	Non-Ratchet: MY28-6†† Hydraulic: Y35, Y39 with U26ET Die Set

†† BMY BNCH-MT bench mount adapter available.

Blue highlighted items are industry standard and most frequently ordered.

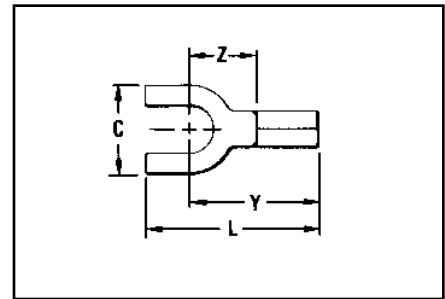
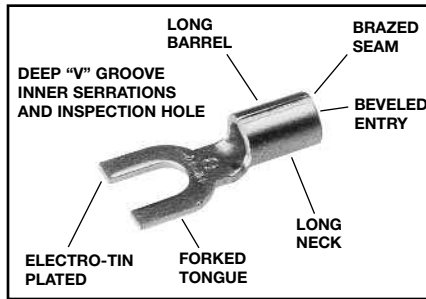
TYPES T-F AND YAD-F

HYLUG™

Uninsulated Compression Terminal, Fork Tongue

Type T-F is constructed in the same manner as the type "T" and employs a fork tongue.

The fork permits rapid installation of the terminal under a screw head without completely removing the screw. Two or more terminals may be stacked easily on a common stud.



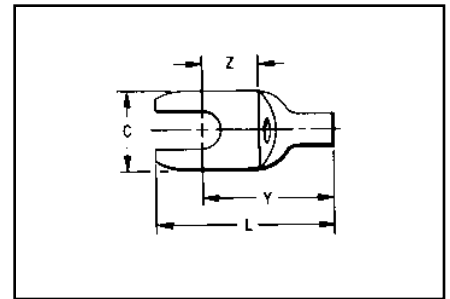
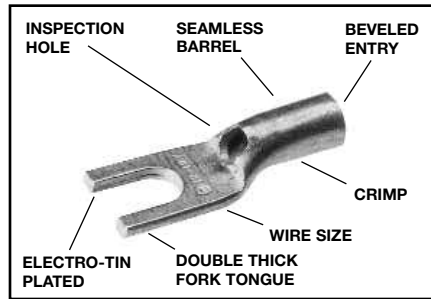
Catalog Number	Wire Range	Stud Size	Dimensions				Bulk Catalog Number	Installation Tooling	Wire Strip Length
			C	L Max.	Y Max.	Z Min.			
T18-6F	22-18	4-6	.28	.68	.55	.25	YAD18-6F	Non-Ratchet: Y10D, Y10-22 Ratchet: MR8G98 Y8MRB-1, MR20	9/32"
T18-8F		6-8	.31	.74	.57	.27	YAD18-8F		
T18-10F		8-10	.37	.74	.58	.29	—		
T18-14F			.47	.92	.69	.39	YAD18-14F		
T14-6F	20-14	4-6	.28	.68	.55	.25	YAD14-6F	Non-Ratchet: Y10D, Y10-22 Ratchet: MR8G98, Y8MRB-1, MR20	9/32"
T14-8F		6-8	.31	.74	.57	.27	YAD14-8F		
T14-10F		8-10	.37	.74	.58	.29	YAD14-10F		
T14-14F			.47	.92	.69	.39	YAD14-14F		
T10-6F	12-10	4-6	.28	.74	.61	.25	YAD10-6F	Non-Ratchet: Y10D, Y10-22 Ratchet: MR8G98, Y8MRB-1, MR20	11/32"
T10-8F		6-8	.31	.80	.63	.27	YAD10-8F		
T10-10F		8-10	.41	.87	.68	.32	YAD10-10F		
T10-14F			.50	1.00	.75	.39	—		

Blue highlighted items are industry standard and most frequently ordered.

TYPES YAV-T-F BOX AND YAV-T-F

HYLUG™

Seamless Uninsulated Compression Fork Tongue Terminal



The type YAV-T-F HYLUG™ is a seamless heavy duty uninsulated compression fork-tongue terminal manufactured from electrolytic copper for use on copper commercial (code) cable, Type AN aircraft cable and extra flexible conductors.

The seamless design produces a double thick tongue and the seamless barrel provides a strong highly reliable connection.

All the benefits of the Type YAV apply for the same wire sizes.

Features and Benefits

- Fork tongue.
 - ◇ Allows installation of compression terminal under screw head without complete removal of the screw.



Catalog Number	Wire Range	Stud Size	Dimensions				Bulk Catalog Number	Installation Tooling	Wire Strip Length
			C	L Max.	Y Max.	Z Min.			
YAV18-T19F BOX	22-18	4-6	.31	.80	.55	.25	YAV18-T19F	Non-Ratchet: Y10D, Y10-22 Ratchet: MR8-G98, MR8-9Q, MR20, Y8MRB-1	9/32"
YAV18-T21F BOX		8-10	.37	.80	.55	.25	YAV18-T21F		9/32"
YAV14-T32F BOX	20-14	4-6	.31	.80	.57	.25	YAV14-T32F		7/16"
YAV14-T34F BOX		8-10	.37	.82	.60	.26	YAV14-T34F		
YAV10-T21F BOX	12-10	8-10	.38	.91	.69	.26	YAV10-21F		
YAV10-T23F BOX		1/4"	.47	1.00	.75	.34	YAV10T23F		

Blue highlighted items are industry standard and most frequently ordered.

TYPES YAV-H-F BOX, YAV-H-F AND YAV-Z

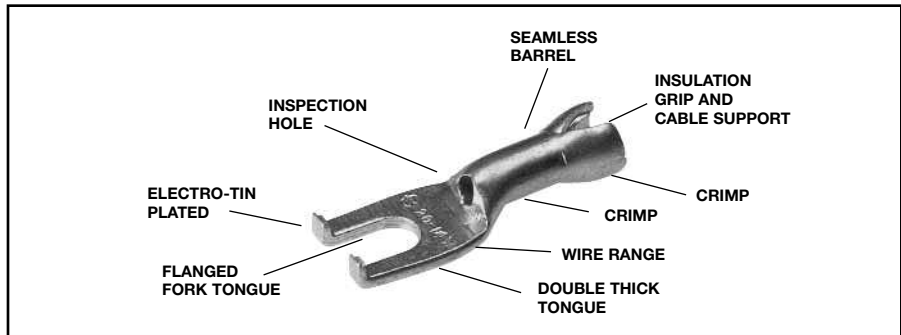
HYLUG™

Uninsulated Compression Terminal Fork Tongue With Seamless Shroud

The type "YAV-H-F" HYLUG™ is a seamless heavy duty uninsulated compression fork tongue terminal with a shroud for an insulation grip and cable support. Manufactured from electrolytic copper tubing for use on copper commercial (code) cable, Type "AN" aircraft and extra flexible conductors.

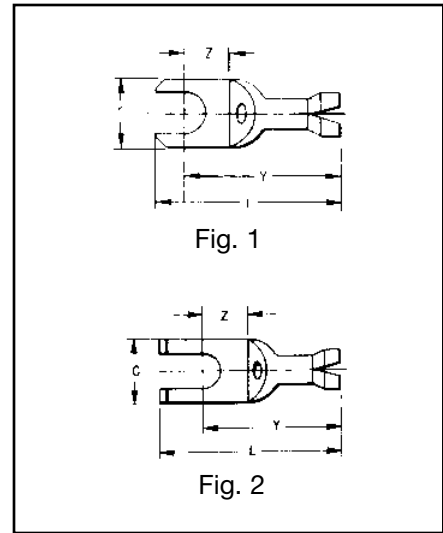
The seamless tubing produces a double thick tongue while the seamless barrel design provides a very strong connector for very demanding applications that require highly reliable connections.

In addition to the benefits described for the YAV box series of connectors the YAVH-F Box and YAV-Z terminals provide the following benefits.



Features and Benefits

- Fork tongue.
 - ◇ Allows installation of compression terminal under screw head without complete removal of the screw thereby lowering installation costs.
- Flanged fork tongue.
 - ◇ Allows installation of compression terminal under screw head without complete removal of the screw plus aids in maintaining the terminal on the stud should the screw loosen slightly.



Catalog Number	Fig.	Wire Range	Stud Size	Max. Insul. Dia. Accom.	Dimensions				Bulk Catalog Number	Installation Tooling	Wire Strip Length
					C	L Max.	Y Max.	Z Min.			
YAV18-H6F BOX	1	22-18	4-6	.120	.25	.89	.80	.19	YAV18-H6F	Non-Ratchet: Y10D*, Y14MV, Y10-22* Ratchet: MR8-G98, MR8-9Q, Y8MRB-1*, MR20, and M8ND with N14HT-5 Die or N14HT	1/4"
YAV18-H19 BOX	1		4-6	.120	.30	.97	.75	.21	YAV18-H19F		
YAV18-H21F BOX	1		8-10	.120	.37	.97	.76	.22	YAV18-H21F		
YAV14-Z5 BOX	2	20-14	4-6	.150	.31	.89	.69	.13	YAV14-Z5		
YAV14-H32F BOX	1		4-6	.150	.30	.96	.78	.23	YAV14-H32F		
YAV14-H56F BOX	1		6-8	.150	.30	.96	.78	.23	YAV14-H56F		
YAV14-H34F BOX	1		8-10	.150	.37	.96	.78	.23	YAV14-H34F		
YAV14-HF BOX	1		8-10	.150	.31	.93	.78	.23	YAV14-HF		
YAV14-Z6 BOX	2		8-10	.150	.37	1.04	.78	.21	YAV14-Z6		
YAV10-HF BOX	1		12-10	8-10	.192	.38	1.07	.92	.24	YAV10-HF	N10HT-24

* Crimps conductor crimp only.

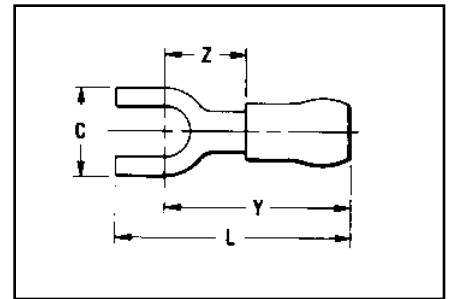
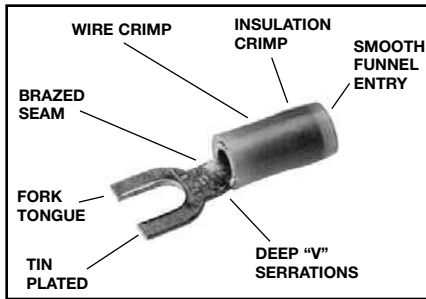
Blue highlighted items are industry standard and most frequently ordered.

TYPES TN-F AND YAES-F

INSULUG™

Terminal – Nylon Insulated, Fork Tongue

300 Volts Max., 105° C Max.



The type TN-F, nylon insulated fork tongue terminal has the same high quality as the TN. It is designed to meet the heavy-duty requirements of industrial and utility applications.

Used on both power and control circuits for wire sizes #26 AWG through #10 AWG. The TN-F provides high dielectric strength and stability in oily conditions.

The TN-F is identical to the TN with the addition of a fork tongue which allows installation without complete removal of its supporting screw.

Features and Benefits

- Fork tongue.
 - ◇ Provides faster and easier installation by permitting insertion under the screw head without completely removing it.



Catalog Number	Wire Range	Stud Sizes	Dimensions				Bulk Catalog Number	Installation Tooling	Wire Strip Length
			C	L Max.	Y Max.	Z Min.			
TN20-2F*	26-20 Max. Insul. Dia. Accom.: .098 Color Code: Amber	1-2	.18	.76	.65	.24	—	M8ND with N14HET-25V1 Die Set	3/16"
TN20-6F*		4-6	.28	.80	.70	.28	—		
TN18-6F	22-18 Max. Insul. Dia. Accom.: .120 Color Code: Red	4-6	.28	.79	.65	.24	YAES18N1F	Non-Ratchet: Y10D, Y10-22	7/32"
TN18-8F		6-8	.31	.84	.67	.26	—		
TN18-10F		8-10	.37	.84	.68	.27	YAES18N3F		
TN18-14F		1/4	.47	1.03	.79	.38	—		
TN14-6F	16-14 Max. Insul. Dia. Accom.: .153 Color Code: Blue	4-6	.28	.79	.65	.24	YAES14N6F		7/32"
TN14-8F		6-8	.31	.84	.67	.26	YAES14N53F		
TN14-10F		8-10	.37	.84	.68	.27	YAES14N8F		
TN14-14F		1/4	.47	1.03	.79	.38	YAES14N54F		
TN10-6F	12-10 Max. Insul. Dia. Accom.: .209 Color Code: Yellow	4-6	.28	.96	.82	.24	YAES10N11F	Ratchet: MR8-83**, MR18	11/32"
TN10-8F		6-8	.31	1.01	.84	.26	YAES10N56F		
TN10-10F		8-10	.41	1.09	.89	.31	YAES10N12F		
TN10-14F		1/4	.50	1.21	.96	.38	YAES10N57F		

* These sizes not UL Listed.
** Or other tool conforming to military specification AS25036 or AS90413

Blue highlighted items are industry standard and most frequently ordered.

TYPES YAE-N-F BOX AND YAE-N-F

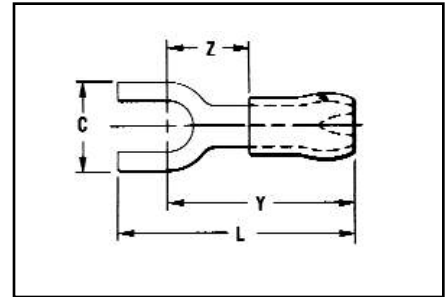
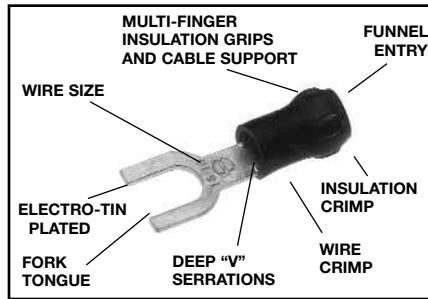
INSULUG™

Terminal — Nylon Insulated, Fork Tongue

Multi-Finger Insulation Grip

300 Volts Max., 105° C Max.

INSULUG™ type YAE-N-F nylon insulated terminals are designed with a Multi-Finger Insulation grip, are rated 105° C and are supplied with a fork tongue for easy terminal insertion and removal.



Features and Benefits

- Fork tongue.
 - ◇ Permits rapid easy installation of the terminal under the screw head without complete removal of the screw.



Catalog Number	Wire Range	Stud Size	Dimensions			Bulk Catalog Number	Installation Tooling	Tape Mounted Catalog Number 2000/Reel	Installation Tooling	Wire Strip Length	
			C	L Max.	Y Max.						Z Min.
YAE22N65F BOX•	24 - 20 Max. Insul. Dia.: .098" Sleeve Color: Amber	1 - 2	.18	.73	.65	.24	YAE22N65F•	Ratchet: M8ND N14HET25V1 Die	YAE22N65FM•	TFM with DFM11D1 Die	5/32"
YAE22N66F BOX•		4 - 6	.28	.80	.70	.28	YAE22N66F•		YAE22N66FM•		
YAE18N60F BOX	22 - 16 Max. Insul. Dia.: .125" Sleeve Color: Red	4	.21	.92	.73	.24	YAE18N60F	Non-Ratchet: Y10D or Y10-22 Ratchet: MR8-33T-1, M8ND With one of the following Dies: N14HET-25V1, N10ET-9, N14HET-15, N10ET-23	YAE18G60FM	TFM with DFM10D1 Die	3/16"
YAE18G43F BOX		4 - 6	.25	.78	.68	.19	YAE18G43F		YAE18G43FM		
—			.28	.83	.76	.23	YAE18N56F		YAE18N56FM		
YAE18N57F BOX		6 - 8	.31	.96	.78	.29	YAE18N57F		YAE18N57FM		
—	16 - 14 Max. Insul. Dia.: .156" Sleeve Color: Blue	4 - 6	.28	.87	.76	.26	YAE14N76F	YAE14N76FM	YAE14N77FM	TFM with DFM9D1 Die	3/16"
YAE14N77F BOX		6 - 8	.31	.96	.78	.29	YAE14N77F				
YAE14N78F BOX		8 - 10	.36	1.01	.83	.34	YAE14N78F				

• Not UL recognized.

Blue highlighted items are industry standard and most frequently ordered.

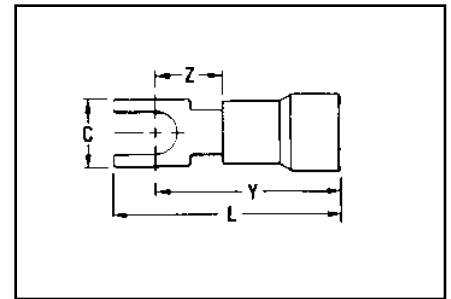
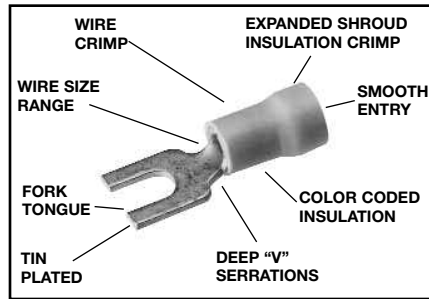
TYPES TP-F AND BA-EF

VINYLUTM

Terminal – Polyvinylchloride Insulated, Fork Tongue

600 Volts Max., 105° C Max.

The Type TP-F is a fork tongue variation of the TP design and makes installation easier.



Features and Benefits

- Fork tongue design.
 - ◊ Faster installation-screw needs only to be loosened for termination.



Catalog Number	Wire Range	Stud Size	Dimensions				Bulk Catalog Number •	Installation Tooling	Tape Mounted Catalog Number 2000/Reel	Installation Tooling	Wire Strip Length
			C	L Max.	Y Max.	Z Min.					
TP16-2F	22-16	1-2	.17	.75	.66	.23	BA16EF2	Plier Type: Y10-22	BA16EF2M	TFM with DFM3D-1 Die	13/64"
TP16-6F	Max. Insul.	4-6	.28	.80	.66	.23	BA16EF6		BA16EF6M		
TP16-8F	Dia. Accom.: .145	6-8	.31	.86	.69	.26	BA16EF8		BA16EF8M		
TP16-10F	Color Code: Red	8-10	.41	.95	.75	.31	BA16EF10		BA16EF10M		
TP14-2F	16-14	1-2	.17	.75	.66	.23	BA14EF2	Ratchet Tool: MR8-89-1	—	TFM with DFM2D-1 Die	13/64"
TP14-6F	Max. Insul.	4-6	.28	.80	.66	.23	BA14EF6		—		
TP14-8F	Dia. Accom.: .180	6-8	.31	.86	.69	.26	BA14EF8		BA14EF8M		
TP14-10F	Color Code: Blue	8-10	.41	.95	.75	.31	BA14EF10		BA14EF10M		
TP10-6F	12-10	4-6	.28	.95	.81	.26	BA10EF6	MR15, M8ND with N10ET-23	*BA10EF6M	TFM with DFM1D5 Die	19/64"
TP10-8F	Max. Insul.	6-8	.31	.98	.81	.26	BA10EF8		*BA10EF8M		
TP10-10F	Dia. Accom.: .260	8-10	.41	1.07	.87	.31	BA10EF10		*BA10EF10M		

• UL Listed and CSA Certified with MR8-89-1 and MR15.
* 1000/Reel.

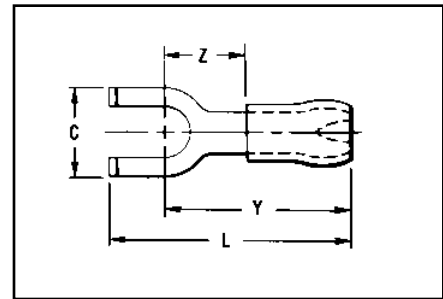
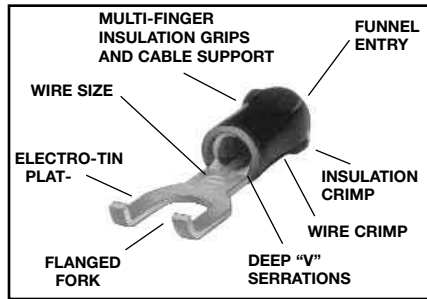
Blue highlighted items are industry standard and most frequently ordered.

TYPES YAE-Z BOX AND YAE-Z

INSULUG™

Terminal —
Nylon Insulated, Flanged Fork
Multi-Finger Insulation Grip
300 Volts Max., 105° C Max.

INSULUG™ type YAE-Z is identical to type YAE-N and employs a flanged fork tongue for faster installation while maintaining security if supporting screw becomes loose.



Features and Benefits

- Flanged fork.
 - ◇ Permits rapid, easy installation of the terminal under the screw head without complete removal of the screw. Additionally, it may not be removed with only a slight loosening of the screw.

Catalog Number	Wire Range	Stud Size	Dimensions				Bulk Catalog Number	Installation Tooling
			C	Z Max.	Y Max.	L Max.		
YAE2221 BOX	26-20 Max. Insul.	1-2	.18	.24	.65	.75	—	MR8-33T-1, M8ND with one of the following Dies:
YAE2222 BOX	Dia.: .098"	4-6	.28	.28	.70	.83	YAE2222	
YAE2223 BOX	Sleeve Color: Amber	6-8	.31	.30	.72	.92	YAE2223	
YAE1821 BOX	22-16 Max. Insul.	1-2	.18	.22	.73	.83	YAE1821	N14HET-15, N10ET-9, N10ET-23, N14HET-25V1, Y10D, Y10-22
YAE1822 BOX	4-6	.28	.26	.76	1.00	YAE1822		
YAE1823 BOX	Dia. Accom.: (125)	6-8	.31	.29	.78	1.00	YAE1823	
YAE1824 BOX	Color Code: Red	8-10	.36	.34	.83	1.08	YAE1824	
YAE1422 BOX	16-14 Max. Insul.	4-6	.28	.26	.76	.90	YAE1422	MR833T-1, M8ND with N12HET-1, Y10D, Y10-22
YAE1423 BOX	Dia. Accom.: (156)	6-8	.31	.29	.78	1.00	YAE1423	
YAE1424 BOX	Color Code: Blue	8-10	.36	.34	.83	1.08	YAE1424	
YAE1222 BOX	14-12 Max. Insul.	4-6	.28	.27	.90	1.04	YAE1222	
YAE1223 BOX	Dia. Accom.: (180)	6-8	.31	.32	.96	1.16	YAE1223	
YAE1224 BOX	Color Code: Green	8-10	.36	.35	1.00	1.23	YAE1224	

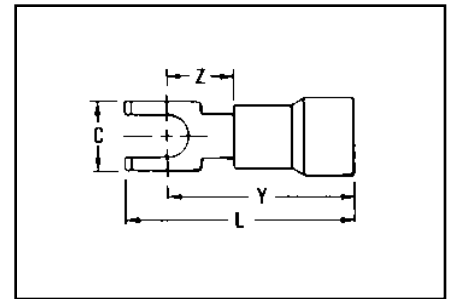
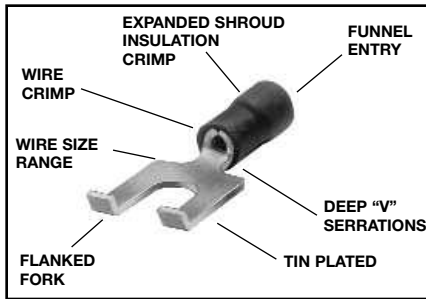
Blue highlighted items are industry standard and most frequently ordered.

TYPES TP-Z AND BA-EZ

VINYLUG™

Terminal — Polyvinylchloride Insulated, Flanged Fork Tongue
600 Volts Max., 105° C Max.

VINYLUG™ Type TP-Z is a variation of the Type TP and employs a flanged fork tongue for fast installation and security.



Features and Benefits

- Flange fork tongue design.
 - ◊ Allows fast installation—screw only has to be loosened for termination.
- The flanges on the end of the fork terminal aid in preventing a slightly loose terminal from becoming fully disconnected from the screw.
 - ◊ Flanges make re-securing a loose terminal easier.

Catalog Number	Wire Range	Stud Size	Dimensions				Bulk Catalog Number	Installation Tooling
			C	L Max.	Y Max.	Z Min.		
TP16-2Z	22-16	1-2	.17	.78	.66	.23	BA16EZ2	Plier Type: Y10-22
TP16-6Z	Max. Insul.	4-6	.28	.83	.66	.23	BA16EZ6	
TP16-8Z	Dia. Accom.: .145	6-8	.31	.88	.69	.26	BA16EZ8	
TP16-10Z	Color Code: Red	8-10	.41	.96	.75	.31	BA16EZ10	
TP14-2Z	16-14	1-2	.17	.78	.66	.23	BA14EZ2	Ratchet Tool: MR8-89-1
TP14-6Z	Max. Insul.	4-6	.28	.83	.66	.23	BA14EZ6	
TP14-8Z	Dia. Accom.: .180	6-8	.31	.88	.69	.26	BA14EZ8	
TP14-10Z	Color Code: Blue	8-10	.41	.96	.75	.31	BA14EZ10	
TP10-6Z	12-10 Max. Insul.	4-6	.28	.99	.81	.26	BA10EZ6	MR15, M8ND with N10ET-23
TP10-8Z	Dia. Accom.: .260	6-8	.31	1.01	.81	.26	BA10EZ8	
TP10-10Z	Color Code: Yellow	8-10	.41	1.09	.81	.31	BA10EZ10	

Blue highlighted items are industry standard and most frequently ordered.

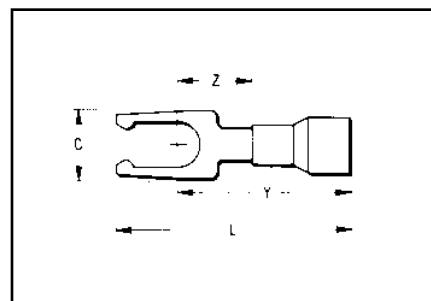
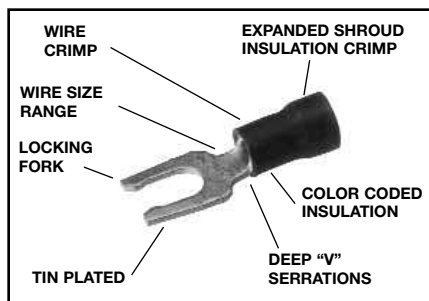
TYPES TP-LF AND BA-EL

VINYLUTM

Terminal —
Polyvinylchloride Insulated,
Locking Fork Tongue

600 Volts Max., 105° C Max.

Type TP-LF is a variation of the Type TP design and employs a locking fork tongue for fast installation and security.



Features and Benefits

- Locking fork tongue design.
 - ◇ Allows fast installation—screw only has to be loosened for termination.
- Internal configuration of the fork.
 - ◇ Prevents the terminal from coming off the screw without applying a pulling force.
- Locking fork is made from a copper alloy.
 - ◇ Permits many installations while maintaining proper spring retention of forks.

Catalog Number	Wire Range	Stud Size	Dimensions				Bulk Catalog Number •	Installation Tooling	Tape Mounted Catalog Number 2000/Reel	Installation Tooling	Wire Strip Length
			C	L Max.	Y Max.	Z Min.					
TP16-6LF	22-16 Max. Insul. Dia. Accom.: .145 Color Code: Red	4-6	.28	.80	.66	.23	BA16EL6	Plier Type: Y10-22	BA16EL6M	TFM with DFM3D-1 Die	13/64"
TP16-8LF		6-8	.31	.86	.69	.26	BA16EL8		BA16EL8M		
TP16-10LF		8-10	.41	.95	.75	.31	BA16EL10		BA16EL10M		
TP14-6LF	16-14 Max. Insul. Dia. Accom.: .180 Color Code: Blue	4-6	.28	.80	.66	.23	BA14EL6	Ratchet Tool: MR8-89-1, MR15	BA14EL6M	TFM with DFM2D-1 Die	13/64"
TP14-8LF		6-8	.31	.86	.69	.26	BA14EL8		BA14EL8M		
TP14-10LF		8-10	.41	.95	.75	.31	BA14EL10		BA14EL10M		
TP10-6LF	12-10 Max. Insul. Dia. Accom.: .260 Color Code: Yellow	4-6	.28	.95	.81	.26	BA10EL6	Ratchet Tool: MR8-89-1, M8ND with N10ET-23	* BA10EL6M	TFM with DFM1D5 Die	19/64"
TP10-8LF		6-8	.31	.98	.81	.26	BA10EL8		* BA10EL8M		
TP10-10LF		8-10	.41	1.07	.87	.31	BA10EL10		* BA10EL10M		

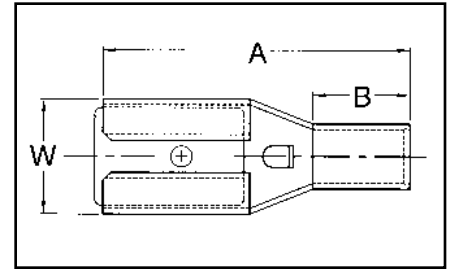
• UL Listed and CSA Certified with MR8-89-1 and MR15.
* 1000/Reel.

Blue highlighted items are industry standard and most frequently ordered.

TYPE Q-F FINGRIP™

NON-INSULATED FEMALE QUICK DISCONNECTS

Material: Tin-Plated Brass



Features and Benefits

- Butted seam.
- Chamfered barrel opening.
 - ◇ Assures quick and easy wire insertion.
- Dimpled female socket detent.
 - ◇ Ensures firm grip.



FEMALE BARE DISCONNECT TERMINAL

(Mates with Type Q-M male disconnects)

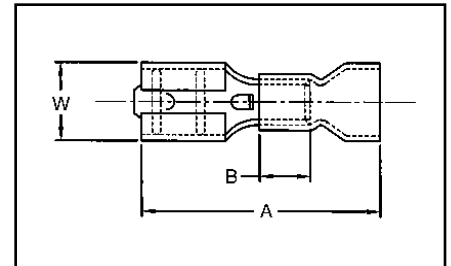
Standard Catalog Number	Std. Pkg. Qty.	Wire Range	NEMA Tab Size	Dimensions			Bulk Catalog Number	Bulk Qty.	Installation Tool*
				A	B	W			
Q18F18X02D	100	18-22	.187 × .020	0.58	0.17	0.23	Q18F18X02B	1000	MR20, Y10D
Q18F25X03D			.250 × .032	0.62	0.17	0.29	Q18F25X03B		
Q14F11X02D	100	14-16	.110 × .020	0.55	0.17	0.14	Q14F11X02B		
Q14F18X02D			.187 × .020	0.58	0.17	0.20	Q14F18X02B		
Q14F25X03D			.250 × .032	0.62	0.17	0.29	Q14F25X03B		

* For UL Listed applications consult BURNDY® factory.

TYPE QP-F FINGRIP™

VINYL INSULATED FEMALE QUICK DISCONNECTS

Material: Tin-Plated Brass
600 Volts Max., 105° C Max.



Features and Benefits

- Butted seam.
- Insulated connectors.
 - ◇ Eliminate the need for post installation insulation.
- Funnel entry barrel opening.
 - ◇ Assures quick and easy wire insertion.
- Dimpled female socket detent.
 - ◇ Ensures firm grip.



FEMALE VINYL DISCONNECT TERMINAL

(Mates with Type QP-M male disconnects)

Standard Catalog Number	Std. Pkg. Qty.	Wire Range	NEMA Tab Size	Dimensions			Bulk Catalog Number	Bulk Pkg. Qty.	Installation Tool*
				A	B	W			
QP18F110X02D	100	18-22	.110 × .020	0.77	0.24	0.11	—	1000	Y10D
QP18F18X02D			.187 × .020	0.86	0.20	0.22	QP18F18X02B		
QP18F25X03D			.250 × .032	0.91	0.20	0.29	QP18F25X03B		
QP14F110X02D	100	14-16	.110 × .020	0.77	0.24	0.11	—		
QP14F18X02D			.187 × .020	0.87	0.20	0.23	QP14F18X02B		
QP14F25X03D			.250 × .032	0.92	0.20	0.29	QP14F25X03B		
QP10F25X03D			10-12	.250 × .032	0.97	0.23	0.29	QP10F25X03B	

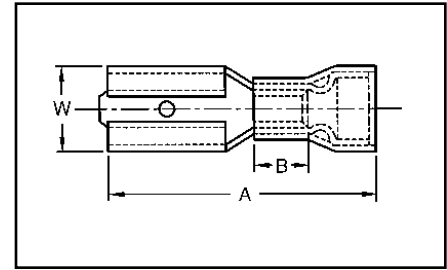
* For UL Listed applications consult BURNDY® factory.

Blue highlighted items are industry standard and most frequently ordered.

**TYPE QN-F
FINGRIP™**

**NYLON INSULATED FEMALE
QUICK DISCONNECTS**

Material: Tin-Plated Brass
300 Volts Max., 105°C Max.



Features and Benefits

- Sleeved barrel.
- Insulated connectors.
 - ◇ Eliminate the need for post installation insulation.
- Funnel entry barrel opening.
 - ◇ Assures quick and easy wire insertion.
- Dimpled female socket detent.
 - ◇ Ensures firm grip.



FEMALE NYLON DISCONNECT TERMINAL

(Mates with Type QN-M male disconnects)

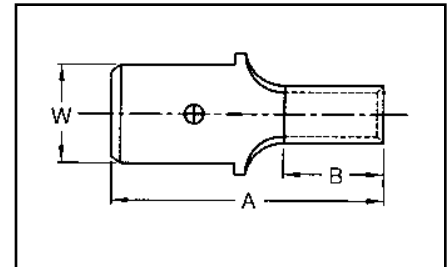
Standard Catalog Number	Std. Pkg. Qty.	Wire Range	NEMA Tab Size	Dimensions			Bulk Catalog Number	Bulk Pkg. Qty.	Installation Tool*
				A	B	W			
QN18F18X02D	100	18-22	.187 × .020	0.86	0.23	0.22	QN18F18X02B	1000	Y10D
QN18F25X03D			.250 × .032	0.91	0.23	0.29	QN18F25X03B		
QN14F18X02D	100	14-16	.187 × .020	0.87	0.23	0.23	QN14F18X02B		
QN14F25X03D			.250 × .032	0.92	0.23	0.29	QN14F25X03B		
QN10F25X03D		12-10	.250 × .032	0.97	0.23	0.25	QN10F25X03B		

* For UL Listed applications consult BURNDY® factory.

TYPE Q-M FINGRIP™

**NON-INSULATED MALE
QUICK DISCONNECTS**

Material: Tin-Plated Brass



Features and Benefits

- Butted seam.
- Chamfered barrel opening.
 - ◇ Assures quick and easy wire insertion.
- Mates with dimpled female socket detent.
 - ◇ Ensures firm grip.



MALE BARE DISCONNECT TERMINAL

(Mates with Type Q-F female disconnects)

Standard Catalog Number	Std. Pkg. Qty.	Wire Range	NEMA Tab Size	Dimensions			Bulk Catalog Number	Bulk Pkg. Qty.	Installation Tool*
				A	B	W			
Q18M18X02D	100	18-22	.187 × .020	0.55	0.17	0.19	Q18M18X02B	1000	MR20, Y10D
Q18M25X03D			.250 × .032	0.67	0.17	0.25	Q18M25X03B		
Q14M18X02D	100	14-16	.187 × .020	0.55	0.17	0.19	Q14M18X02B		
Q14M25X03D			.250 × .032	0.67	0.17	0.25	Q14M25X03B		

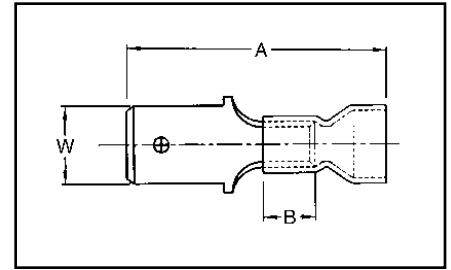
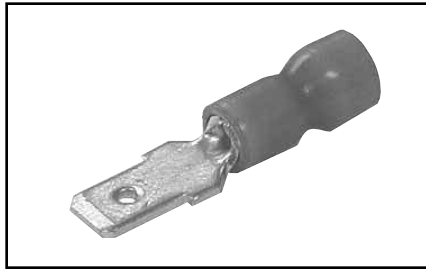
* For UL Listed applications consult BURNDY® factory.

Blue highlighted items are industry standard and most frequently ordered.

**TYPE QP-M
FINGRIP™**

**VINYL INSULATED MALE
QUICK DISCONNECTS**

Material: Tin-Plated Brass
600 Volts Max., 105° C Max.



Features and Benefits

- Butted seam.
- Funnel entry barrel opening.
 - ◇ Assures quick and easy wire insertion.
- Mates with dimpled female socket detent.
 - ◇ Ensures firm grip.



MALE VINYL DISCONNECT TERMINAL

(Mates with Type QP-F female disconnects)

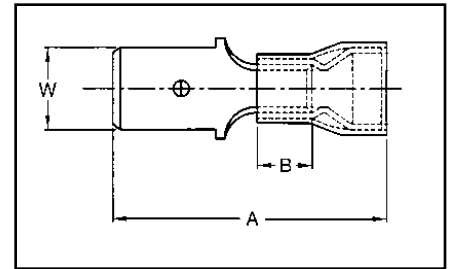
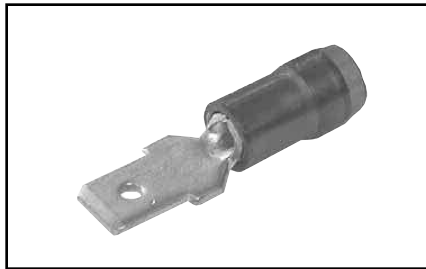
Standard Catalog Number	Std. Pkg. Qty.	Wire Range	NEMA Tab Size	Dimensions			Bulk Catalog Number	Bulk Pkg. Qty.	Installation Tool*
				A	B	W			
QP18M18X02D	100	18-22	.187 × .020	0.83	0.17	0.19	QP18M18X02B	1000	Y10D
QP18M25X03D			.250 × .032	0.95	0.17	0.25	QP18M25X03B		
QP14M18X02D	100	14-16	.187 × .020	0.83	0.17	0.19	QP14M18X02B	1000	
QP14M25X03D			.250 × .032	0.95	0.17	0.25	QP14M25X03B		

* For UL Listed applications consult BURNDY® factory.

**TYPE QN-M
FINGRIP™**

**NYLON INSULATED MALE
QUICK DISCONNECTS**

Material: Tin-Plated Brass
300 Volts Max., 105° C Max.



Features and Benefits

- Sleeved barrel.
- Funnel entry barrel opening.
 - ◇ Assures quick and easy wire insertion.
- Mates with dimpled female socket detent.
 - ◇ Ensures firm grip.



MALE NYLON DISCONNECT TERMINAL

(Mates with Type QN-F female disconnects)

Standard Catalog Number	Std. Pkg. Qty.	Wire Range	NEMA Tab Size	Dimensions			Bulk Catalog Number	Bulk Pkg. Qty.	Installation Tool*
				A	B	W			
QN18M18X02D	100	18-22	.187 × .020	0.82	0.17	0.19	QN18M18X02B	1000	Y10D
QN18M25X03D			.250 × .032	0.91	0.17	0.25	—		
QN14M18X02D	100	14-16	.187 × .020	0.84	0.17	0.19	QN14M18X02B	1000	
QN14M25X03D			.250 × .032	0.91	0.17	0.25	QN14M25X03B		

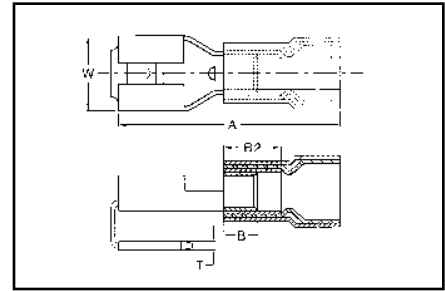
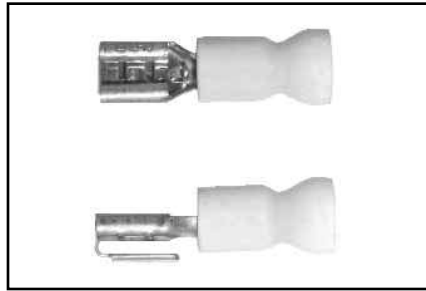
* For UL Listed applications consult BURNDY® factory.

Blue highlighted items are industry standard and most frequently ordered.

TYPES PGP, AND PGN FINGRIP™

MALE/FEMALE COMBINATION QUICK DISCONNECTS

Material: Tin-Plated Brass



Features and Benefits

- Sleeved barrel.
- Combination connector.
 - ◇ Allows for more than one connection to a circuit.
- Funnel entry barrel opening.
 - ◇ Assures quick and easy wire insertion.
- Dimpled female socket detent.
 - ◇ Ensures firm grip.



VINYL COMBINATION DISCONNECT TERMINAL

600 Volts Max. 105° C Max.

Standard Catalog Number	Std. Pkg. Qty.	Wire Range	NEMA Tab Size	Dimensions			Bulk Catalog Number	Bulk Pkg. Qty.	Installation Tool*
				A	B	W			
PGP1825X03D	100	18-22	.250 × .032	0.91	0.17	0.30	PGP1825X03B	1000	Y10D
PGP1425X03D	100	14-16	.250 × .032	0.91	0.17	0.30	PGP1425X03B	1000	

NYLON COMBINATION DISCONNECT TERMINAL

300 Volts Max. 105° C Max.

Standard Catalog Number	Std. Pkg. Qty.	Wire Range	NEMA Tab Size	Dimensions			Bulk Catalog Number	Bulk Pkg. Qty.	Installation Tool*
				A	B	W			
PGN1825X03D	100	18-22	.250 × .032	0.90	0.17	0.30	PGN1825X03B	1000	Y10D
PGN1425X03D	100	14-16	.250 × .032	0.90	0.17	0.30	PGN1425X03B	1000	

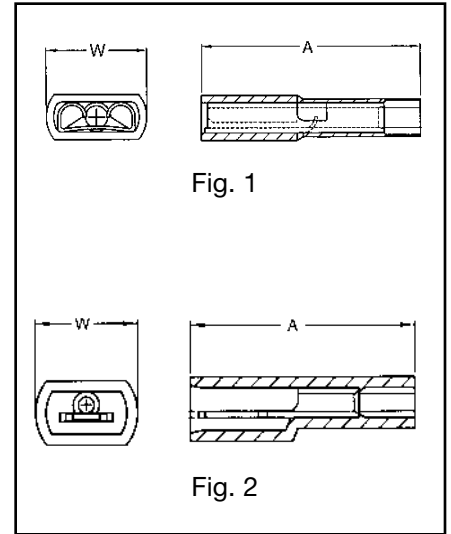
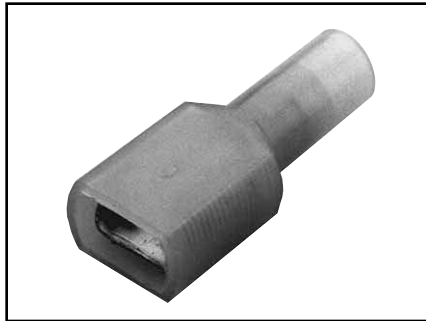
* For UL Listed applications consult BURNDY® factory.

Blue highlighted items are industry standard and most frequently ordered.

TYPES FQN-F AND FQN-M FINGRIP™

NYLON FULLY INSULATED FEMALE AND MALE QUICK DISCONNECTS

Material: Tin-Plated Brass
300 Volts Max., 105° C Max.



Features and Benefits

- Fully insulated connectors.
 - ◇ Eliminate the need for post installation insulation.
- Funnel entry barrel opening.
 - ◇ Assures quick and easy wire insertion.
- Dimpled female socket detent.
 - ◇ Ensures firm grip.



FULLY INSULATED FEMALE NYLON DISCONNECT TERMINAL (Fig. 1)

Standard Catalog Number	Std. Pkg. Qty.	Wire Range	NEMA Tab Size	Dimensions		Bulk Catalog Number	Bulk Pkg. Qty.	Installation Tool*
				A	W			
FQN18F25X03D	50	18-22	.250 × .032	0.98	0.40	FQN18F25X03B	1000	Y10D
FQN14F25X03D	50	14-16	.250 × .032	0.96	0.40	FQN14F25X03B	1000	
FQN10F25X03D	25	10-12	.250 × .032	0.99	0.41	FQN10F25X03B	500	

FULLY INSULATED MALE NYLON DISCONNECT TERMINAL (Fig. 2)

Standard Catalog Number	Std. Pkg. Qty.	Wire Range	NEMA Tab Size	Dimensions		Bulk Catalog Number	Bulk Pkg. Qty.	Installation Tool*
				A	W			
FQN18M25X03D	50	18-22	.250 × .032	1.05	0.48	FQN18M25X03B	1000	Y10D
FQN14M25X03D	50	14-16	.250 × .032	1.03	0.48	FQN14M25X03B	1000	
FQN10M25X03D	25	10-12	.250 × .032	1.03	0.48	FQN10M25X03B	500	

* For UL Listed applications consult BURNDY® factory.

** For Mylar tape reels consult BURNDY® factory.

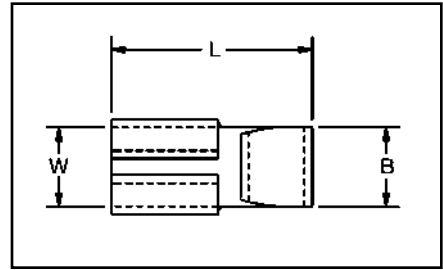
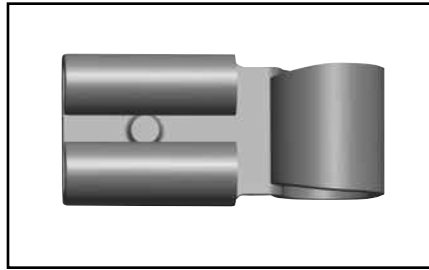
Blue highlighted items are industry standard and most frequently ordered.

B-48

TYPE FL FINGRIP™

FLAG-STYLE FEMALE QUICK DISCONNECT

Material: Tin-Plated Brass



Features and Benefits

- Dimpled female socket detent.
◇ Ensures firm grip.

FEMALE BARE DISCONNECT TERMINAL

Standard Catalog Number	Std. Pkg. Qty.	Wire Range	NEMA Tab Size	Dimensions			Bulk Catalog Number	Bulk Pkg. Qty.	Installation Tool*
				L	B	W			
FL1825X03D	100	18-22	.250 × .032	0.67	0.17	0.25	FL1825X03B	1000	Consult Factory
FL1425X03D	100	14-16	.250 × .032	0.67	0.17	0.25	FL1425X03B	1000	
FL1025X03D *	50	10-12	.250 × .032	0.67	0.17	0.25	—	—	

* Not UL Listed or CSA Approved.

Blue highlighted items are industry standard and most frequently ordered.

UNINSULATED SPLICES

BURNDY® manufactures several designs of uninsulated butt splices. Each type is designed to meet specific application requirements and provide a high quality, electrical splice connection that is easily installed. The following features and benefits apply to all BURNDY® uninsulated splices.

Features and Benefits

- Manufactured from seamless tubing.
 - ◇ A high quality design with no seams to split.
- Electrolytic copper.
 - ◇ Provides maximum conductivity, low resistance and ductility for excellent crimp forming properties.
- Electro-tin plated.
 - ◇ Provides durable long lasting resistance to corrosion.
- Positive center wire stops.
 - ◇ Provides proper depth of wire insertion.
- Marked with wire size.
 - ◇ Provides easy wire size identification.
- The HYLINK™ splice connectors have inspection holes.
 - ◇ Provides easy visual inspection for proper wire insertion.

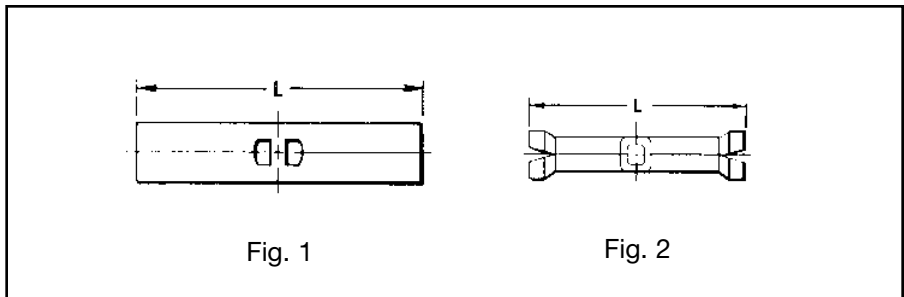
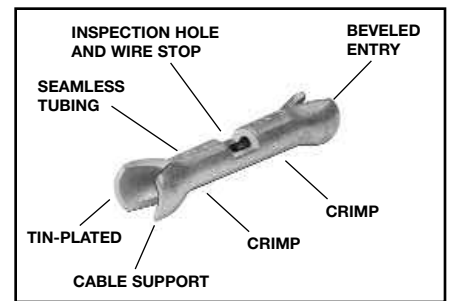
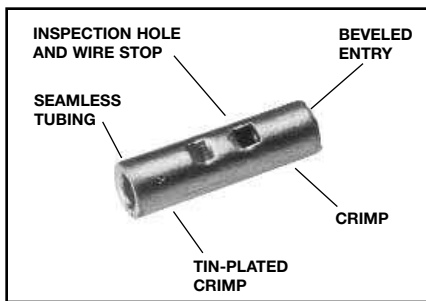
TYPES YSV, YSV-H AND YSV-L

HYLINK™

Uninsulated Butt Splice
600 Volts Maximum

HYLINK™ type YSV seamless splice connector is used to splice stranded and solid copper conductors in virtually all heavy duty industrial and general purpose applications.

The type YSV-H HYLINK™ seamless splice connector has the added benefit of an insulation support and cable strain relief.



Catalog Number	Wire Range Code AWG Str. and Sol. Aircraft-AN	Fig.	Dimensions		Bulk Catalog Number	Installation Tooling HYTOOL™	Wire Strip Length
			L	Max. Dia.			
YSV18 BOX	22-18	1	.62	—	YSV18	Non-Ratchet: Y10D, Y1022 Ratchet: MR20, Y8MRB-1, MR8-9Q*, MR8-G98	1/4"
YSV18-H BOX	Str. & Sol.	2	.89	.120	YSV18-H		
YSV14 BOX	20-14 Str.	1	.64	—	YSV14		
YSV14-H BOX	20-12 Sol.	2	.94	.150	YSV14-H		
YSV10 BOX	12-10	1	.75	—	YSV10	5/16"	
YSV10-H BOX	Str. & Sol.	2	1.06	.192	YSV10-H		
YSV9C-L BOX	9 Str.	1	.75	—	YSV9C-L	Non-Ratchet: MY28, MY29-3, MY29-11 Ratchet: Y8MRB-1†, MR8-9Q*, Y1MRTC ▲	5/16"
YSV8C-L BOX	8 Str.	1	1.00	—	YSV8C-L		7/16"

* Remove stop plate.
▲ Y1MRTC for 8 Str. only
† Use #10 groove
Note: Use MR8 series tools for (-H) series.

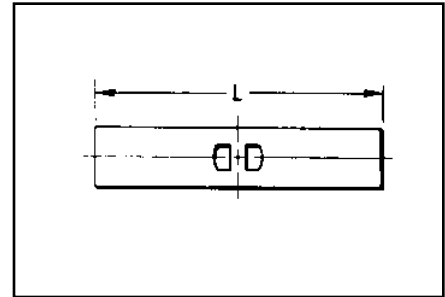
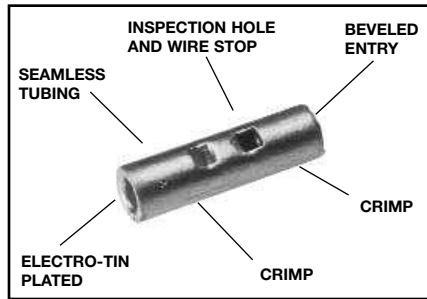
Blue highlighted items are industry standard and most frequently ordered.

TYPE YSV-L

HYLINK™

Uninsulated Butt Splice
600 Volts Maximum
#8 Through 4/0 Copper

HYLINK™ type YSV-L seamless splice connector is used to splice Type AN aircraft cables plus commercial stranded and solid AWG conductors. Suitable for aircraft, light duty industrial and general purpose applications.



Catalog Number	Wire Range Aircraft-AN" Comm'I-AWG Str. & Sol.	Dimensions L	Bulk Catalog Number	Installation Tooling				Y34PA Wire Strip Length
				Ratchet	HYTOOL™ **	HYPRESS™• H35, Y35BH, Y39, Y39BH*		
						Nest	Indenter	
YSV8C-L BOX	8	1.00	YSV8C-L	MR89Q, Y8MRB-1, Y1MRTC	Type AH Aircraft Cable: MY28	UV8L-1	Y34PL	7/16"
YSV6C-L BOX	6	1.12	YSV6C-L	Y1MRTC, MR4C		UV6L	Y34PLA	1/2"
YSV4C-L BOX	4	1.12	YSV4C-L	Y1MRTC, MR4C		UV4L		5/8"
YSV2C-L BOX	2	1.41	YSV2C-L	Y1MRTC		UV2L		5/8"
YSV1C-L BOX	1	1.46	YSV1C-L	—	All Others:	UV1L	5/8"	
YSV25-L BOX	1/0	1.53	YSV25-L	—	MY29-3,	UV25L	Y34PA	11/16"
YSV26-L BOX	2/0	1.78	YSV26-L	—	MY29-11	UV26L		13/16"
YSV27-L BOX	3/0	1.81	YSV27-L	—	1 Crimp	UV27L		13/16"
YSV28-L BOX	4/0	1.94	YSV28-L	—		UV28L		7/8"

* Remove stop plate
 • Use Y35P3 Indenter Adaptor.
 ** Bench Mount Adaptor - Cat. No. BMY-BCH-MT is available for Type MY HYTOOLS™.

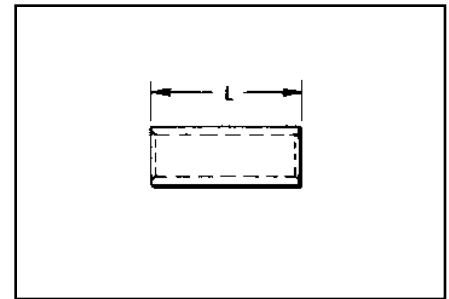
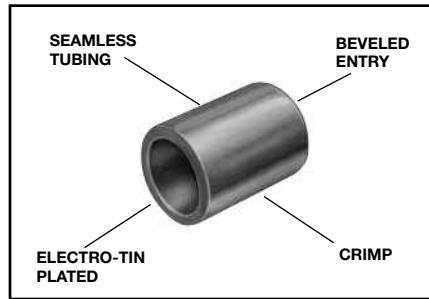
Blue highlighted items are industry standard and most frequently ordered.

TYPE YSM

HYLINK™

Uninsulated Parallel Splice

HYLINK™ type YSM seamless parallel splice connector permits wires to be laid parallel inside the connector and spliced together with BURNDY's compression HYTOOL™. Each YSM connector accommodates a wide combination of round, square, and rectangular copper conductors that have a total combined circular mil area listed in the table below. The conductors to be spliced must physically fit within title splice without being forced.



Catalog Number	Circular Mil. Range		Dimensions L	Installation Tooling				Wire Strip Length
				Ratchet	Mechanical HYTOOL™	HYPRESS™• Y35BH, Y39BH*		
						Nest	Indentor	
YSM18	300	1,909	.25	MR8-9Q*	—	—	—	5/16"
YSM14	477	4,107	.25	MR8-9Q*	—	—	—	5/16"
YSM10	4,107	10,380	.36	MR8-9Q*, MR4CQ	—	—	—	7/16"
YSM8C	6,088	16,864	.41	MR4CQ Y1MRTC	MY29-11 or MY28 (1) Crimp	UV8L-1	Y29PQ	1/2"
YSM6C	10,380	26,813	.44			UV6L		1/2"
YSM4C	26,813	42,613	.50			UV4L	9/16"	
YSM2C	42,613	66,832	.62	Y1MRTC		UV2L	11/16"	
YSM1C	66,832	81,807	.62	—		UV1L	11/16"	
YSM25	81,807	104,110	.69	—		UV25L	Y29PQ-6	3/4"
YSM26	104,110	133,650	.81	—	UV26L	7/8"		
YSM27	133,650	167,332	.81	—	UV27L	7/8"		
YSM28	167,332	211,954	.88	—	UV28L	15/16"		

* Remove stop plate.
 • Use Y35P indentor adapter, with Y35BH and Y39BH HYPRESSES.

Wire Size	Area Cir. Mils.	Solid Wire Dia. (In.)	Concentric Str. Max. Dia. (In.)	Flex. Bunch or Rope Lay Dia. (In Approx.)
30	100.5	.010003	.012	
29	126.7	.01126	-	
28	159.8	.01264	.015	
27	201.5	.01420	-	
26	254.1	.01594	.019	
25	320.4	.01790	-	
24	404.0	.02010	.024	
23	509.5	.02257	-	
22	642.4	.02535	.030	
21	810.1	.02845	-	
20	1022	.03196	.038	
19	1288	.03589	-	
18	1624	.04030	.0460	
17	2048	.04526	-	
16	2583	.05082	.0585	
15	3257	.05707	-	
14	4107	.06408	.0735	

Wire Size	Area Cir. Mils.	Solid Wire Dia. (In.)	Concentric Str. Max. Dia. (In.)	Flex. Bunch or Rope Lay Dia. (In Approx.)
13	5178	.07196	-	-
12	6530	.08081	.0931	.101
11	8234	.09074	-	-
10	10380	.1019	.117	.126
9	13090	.1144	.132	.146
8	16510	.1285	.148	.157-.162
7	20820	.1433	.166	.179-.196
6	26250	.1620	.186	.207-.215
5	33100	.1819	.209	.235-.240
4	41740	.2043	.235	.263-.269
3	52640	.2294	.264	.219-.305
2	66370	.2576	.297	.319-.337
1	83690	.2893	.333	.367-.376
1/0	105500	.3249	.374	.441-.423
2/0	133100	.3648	.420	.500-.508
3/0	167800	.4096	.472	.549-.576
4/0	211600	.4600	.530	.613-.645

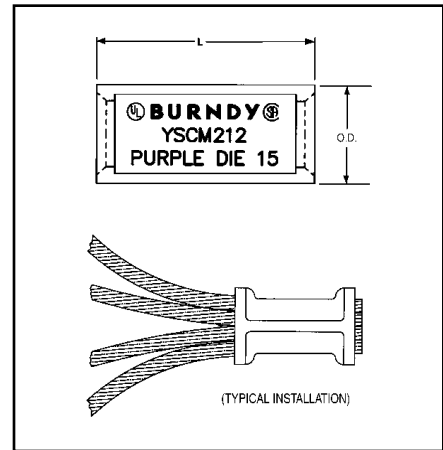
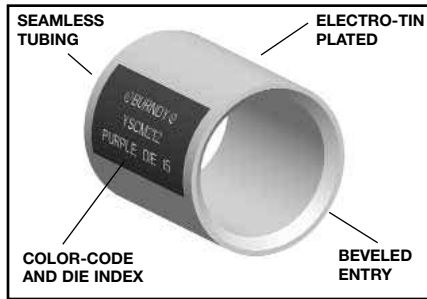
Blue highlighted items are industry standard and most frequently ordered.

TYPE YSCM

HYLINK™

**Color-Coded
Uninsulated Parallel Splice**

Type YSCM HYLINK™ seamless parallel splice connectors permit stranded wires to be laid parallel inside the connector and spliced together with BURNDY® compression tools. Each YSCM connector accommodates a wide range of conductors and is color-coded to ensure proper tool and die match. YSCM connectors are UL486A Listed for applications up to 600V and CSA Listed.



Catalog Number	Conductor Range Cable ⑤		Dimensions Inches [mm]		Color Code	Die Index	Recommended Installation Tooling		Wire Strip Length ④
	Circular Mils		L ±.03	O.D. ±.01			OUR840, Y500CTHS, PAT60018V Series	Y35, Y750, PAT750 Series	
	Min.	Max.							
YSCM17	13,060	16,910	.50 [13]	.27 [7]	Red	49	X8CRT, W8CRT	U8CRT	11/16"
YSCM27	16,910	26,890	.50 [13]	.31 [8]	Blue	7	X5CRT, W5CRT	U5CRT	11/16"
YSCM42	29,970	41,520	.50 [13]	.38 [10]	Gray	8	X4CRT, W4CRT	U4CRT	11/16"
YSCM66	42,750	66,040	.62 [16]	.47 [12]	Brown	10	X2CRT, W2CRT	U2CRT	3/4"
YSCM80	67,980	80,020	.62 [16]	.52 [13]	Green	11	X1CRT, W1CRT	U1CRT-1	3/4"
YSCM104	82,870	103,630	.69 [18]	.57 [14]	Pink	12	X25RT, W25RT	U25RT	15/16"
YSCM133	104,960	133,220	.81 [21]	.64 [16]	Black	13	X26RT, W26RT	U26RT	1-1/16"
YSCM167	134,340	166,560	.81 [21]	.70 [18]	Orange	14	X27RT, W27RT	U27RT	1-1/16"
YSCM212	167,380	211,820	.88 [22]	.78 [20]	Purple	15	X28RT, W28RT	U28RT	1-1/16"
YSCM231	—	230,800	1.05 [27]	.81 [21]	Yellow	16	X29RT, W29RT	U29RT	1-1/16"

Size		ASTM Strandings	
Stranded		Class	Cable Diameter Inches
Circular Mils	AWG		
1,022	20	B	0.036
1,624	18	B	0.045
2,583	16	B	0.057
4,107	14	B	0.072
6,530	12	B	0.091
10,380	10	B	0.116
13,090	9	B	0.130
16,510	8	B	0.146
20,820	7	B	0.164
26,250	6	B	0.184
33,100	5	B	0.206
41,740	4	AA	0.254
41,740	4	B&A	0.232
52,630	3	AA	0.285

Size		ASTM Strandings	
Stranded		Class	Cable Diameter Inches
Circular Mils	AWG		
52,630	3	B&A	0.260
66,370	2	AA	0.320
66,370	2	B&A	0.292
83,690	1	AA	0.360
83,690	1	A	0.328
83,690	1	B	0.332
105,500	1/0	A&A	0.368
105,500	1/0	—	0.390
105,500	1/0	B	0.373
133,100	2/0	A&A	0.414
133,100	2/0	—	0.438
133,100	2/0	B	0.419
167,800	3/0	A&A	0.464
167,800	3/0	—	0.492
167,800	3/0	B	0.470
211,600	4/0	A&A	0.522
211,600	4/0	—	0.522
211,600	4/0	B	0.528

1. Material: Copper per ASTM B75.
2. Finish: Tin plated. For nickel plating, add suffix "NK" to the Catalog Number.
3. Dimensions in brackets [] are in millimeters rounded off to the nearest millimeter, unless otherwise noted, and are for reference only.

④ Recommended strip length. Strip length dependant on size, no. of wires and insulation thickness.

⑤ Refer to Circular Mil Table per ASTM B8 for total Class B Circular Mil calculations.

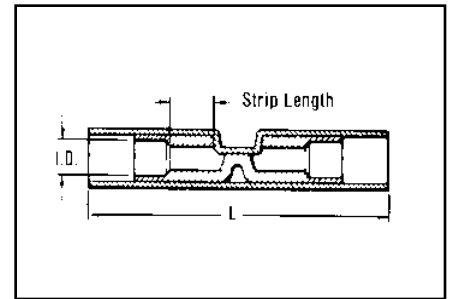
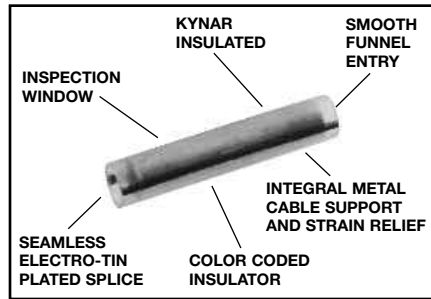
TYPE YSES-K

INSULINK™

Radiation Resistant Insulated Butt Splice

Polyvinylidene Flouride (PVF₂) Insulated

200 Megarads - 60° C
Through 150° C, 600 Volts



The type YSES-K radiation resistant KYNAR® insulated splices are suitable for class 1E applications plus non critical nuclear associated applications. The splice is manufactured from pure electrolytic copper seamless tubing which eliminates potential splitting of seams. A color code stripe is used for wire size identification and a window is provided for inspection of proper wire insertion.

Catalog Number	Wire Range	Color Stripe	Dimensions Max. Insul. Dia. Accom.	L Max.	Installation Tooling	Wire Strip Length
YSES18K	22-18	Red	.112	1.00	Ratchet Tool: MR10G8 Red Groove Calibration Gauge: PG-373-1 Crimp ID. Mark: (1) Small Dot	3/16"
YSES14K	16-14	Blue	.153	1.00	Ratchet Tool: MR10G8 Blue Groove Calibration Gauge: PG-371-1 Crimp ID. Mark: (2) Small Dot	3/16"
YSES10K	12-10	Yellow	.210	1.38	Ratchet Tool: MR10G8 Yellow Groove Calibration Gauge: PG-372-1 Crimp ID. Mark: (1) Large Dot	7/16"

KYNAR® is the registered trademark for Pennwalt Corp. for Polyvinylidene Flouride (PVF₂)

Blue highlighted items are industry standard and most frequently ordered.

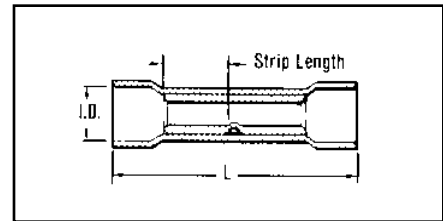
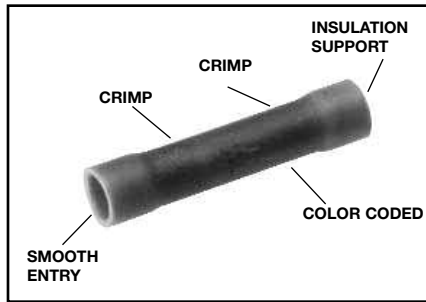
TYPES SP AND BS

VINYLINK™

Splice, Polyvinylchloride Insulated

600 Volts, 105° C

The type SP VINYLINK™ is a PVC insulated seamless butt splice. Type SP VINYLINK™ is designed to accommodate a broad range of 600 volt cables.



Features and Benefits

- Manufactured from seamless electrolytic copper tubing.
 - ◇ Provides maximum conductivity and tensil strength, in a high quality design with NO seams to split.
- Funnel entry.
 - ◇ Provides easy wire insertion.
- Electro-tin plated.
 - ◇ Provides durable long lasting resistance to corrosion.
- Expanded insulation support.
 - ◇ Lower inventory requirements.
- Red wire range of 22-16.
 - ◇ Lower inventory requirements.
- Vinyl insulator.
 - ◇ Economical means of providing high dielectric values and cable insulation support.

Catalog Number	Wire Range	Color Code	Bulk Catalog Number	Dimensions (Inches)		Installation Tooling	Wire Strip Length
				L Max. Insul.	Max. Dia.		
SP16	22-16	Red	BS16	1.00	.145	Non-Ratchet: Y10-22, Y10D Ratchet: MR8G-98, MR15, MR8-89-1	1/4"
SP14	16-14	Blue	BS14	1.00	.180		1/4"
SP10	12-10	Yellow	BS10	1.23	.260		21/64"

Blue highlighted items are industry standard and most frequently ordered.

INSULATED SPLICES

BURNDY® manufactures several designs of insulated butt splices. Each type is designed to meet specific application requirements and provide a high quality electrically pre-insulated splice that is easily installed. The following features and benefits apply to all BURNDY® pre-insulated butt splices.

Features and Benefits

- Manufactured from seamless tubing.
 - ◇ A high quality design with no seams to split.
- Pure electrolytic copper.
 - ◇ Provides maximum conductivity, low resistance and ductility for excellent crimp forming properties.
- Electro-tin plated.
 - ◇ Provides durable long-lasting resistance to corrosion.
- Positive center wire stops.
 - ◇ Provides for proper depth of wire insertion.
- Color-coded in red, blue and yellow.
 - ◇ Provides easy wire size identification.

TYPES SN AND YSE-HN

INSULINK™

Butt Splice, Nylon Insulated

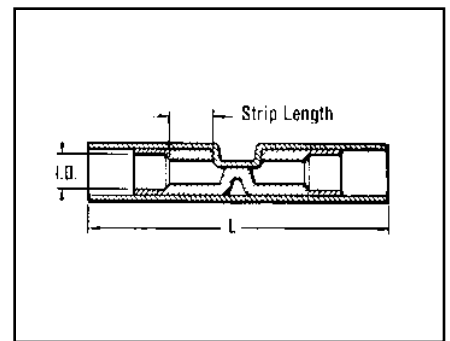
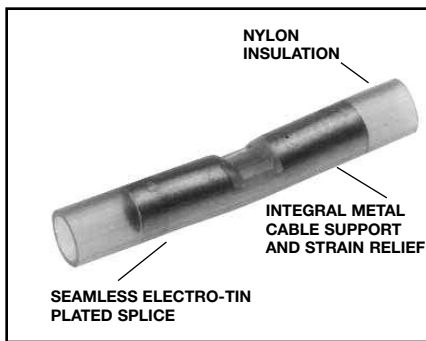
600 Volts Maximum,
105° C Maximum

The type SN INSULINK™ is a high quality nylon-insulated butt splice designed to meet heavy duty application requirements.

Meets the functional requirements of MIL-T-7928 (ASG) and conforms to the requirements of NAS1388.



600 Volts, 105° C
(1000 Volts, Max. Inside Sign or Fixture)



Features and Benefits

- Manufactured from one-piece tin-plated seamless copper tubing with an integral barrel/insulation grip.
 - ◇ Provides maximum tensile strength, plus excellent cable support and strain relief and eliminates failures due to vibration.
- Smooth funnel entry.
 - ◇ Provides easy wire insertion.
- Window position locator for full cycle ratchet tool crimp.
 - ◇ Provides proper tool/connector alignment for correct crimp.
- Nylon insulation offers high dielectric strength and stability in oily environmental conditions.
 - ◇ Maintains a high quality connection in demanding applications.
- The nylon is locked into position.
 - ◇ The connector will not move.

Catalog Number	Wire Range	Color Code	Bulk Catalog Number	Dimensions (Inches)		Installation Tooling	Wire Strip Length
				L Max. Insul.	Max. Dia.		
SN18	22-18	Red	YSE18HN	1.25	.115	Plier: Y10D Ratchet: MR8-85, MR18	15/64"
SN14	16-14	Blue	YSE14HN	1.25	.150		7/32"
SN10	12-10	Yellow	YSE10HN	1.64	.220		3/8"

Blue highlighted items are industry standard and most frequently ordered.

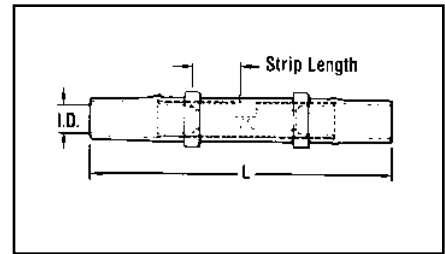
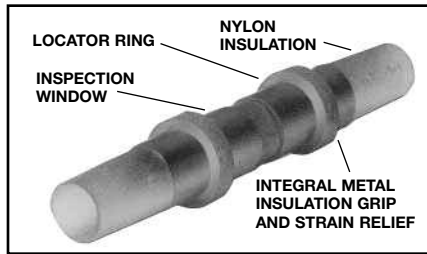
TYPES SNM AND YSES

INSULINK™

Butt Splice, Nylon Insulated

MS25181, Class 1 Splice
300 Volts, 105° C

The type SNM INSULINK™ is a high quality nylon insulated butt splice designed to meet military MS25181, class 1 requirements.



Features and Benefits

- Manufactured from tin plated, seamless copper tubing with an integral barrel/insulation grip.
 - ◇ Provides maximum tensile strength, plus excellent cable support and strain relief.
- Smooth funnel entry.
 - ◇ Provides easy wire insertion.
- Transparent nylon insulation.
 - ◇ Permits easy wire inspection.
- External ring locator.
 - ◇ Provides proper tool alignment for correct crimp.

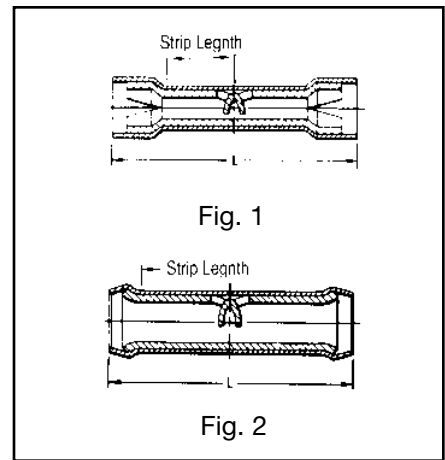
Catalog Number	Wire Range	Color Code	Bulk Catalog Number	MS25181 Dash No.	Dimensions		Installation Tooling	Wire Strip Length
					L Max.	Max. Dia. Insul.		
SNM18	22-18	Red	YSES18-1	-1	1.53	.120	Plier: Y10D Ratchet: MR8-83 or MR8-85 MS25037 TOOL	7/32"
SNM14	16-14	Blue	YSES14-2	-2	1.53	.150		7/32"

TYPES YSE BOX, YSE-H BOX, YSE, YSES AND YSE-H

INSULINK™

600 Volts, 105° C

The types YSE and YSE-H INSULINK™ are high quality nylon insulated butt splices designed for splicing aircraft and commercial flexible cables.



Features and Benefits

- Manufactured from tin plated, seamless electrolytic copper tubing with integral barrel/insulation grip.
 - ◇ Provides maximum conductivity and tensile strength, plus excellent cable support and strain relief.
- Split heavy wall insulation grip.
 - ◇ Provides stronger insulation grip and strain relief.
- Smooth funnel entry.
 - ◇ Provides easy wire insertion.
- Transparent nylon insulation.
 - ◇ Permits easy wire inspection.



600 Volts 105°C

Wire Range Catalog Number	Fig.	Wire Code AWG Aircraft AN	Color Code	Bulk Catalog Number	Dimensions		Installation Tooling	Wire Strip Length
					L Max. Insul.	Max. Dia.		
YSE18H-BOX	1	22-18	Red	YSE18H	1.220	.115	Y10D	9/32"
YSE14H-BOX	1	16-14	Blue	YSE14H	1.36	.150	Ratchet:	11/32"
YSE10-BOX	2	12-10	Yellow	YSE10	1.15	.209	MR8-33S-1	23/64"

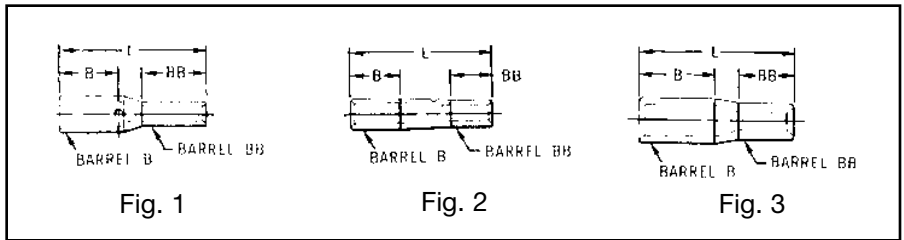
Blue highlighted items are industry standard and most frequently ordered.

TYPES YSV, YRV-L

HYREDUCER™

Reducer Butt Splice

The HYREDUCER™ is a connector for splicing two different size wires. The larger conductor is inserted first and butts against the center of the connector where the smaller barrel begins. Constructed of pure electrolytic copper tubing for maximum conductivity, tin plated to resist corrosion, the HYREDUCER™ accommodates a wide range of cable sizes.



Dimensional information may be found in Table 1. Table 2 is a comprehensive tooling index for these connectors.

TABLE 1

Bulk Catalog Number	Total Wire Range	Fig. No.	B Barrel*		Tool Index	BB Barrel*		Tool Index	"L" Max.
			Wire Size	B Dim.		Wire Size	BB Dim.		
YSV1418	22 - 14	1	20 - 14	.27	1	22 - 18	.27	2	.64
YSV1214-G1	16 - 12	2	12	.31	4	16 - 14	.27	1	.83
YSV1014-G2	20 - 10	2	12 - 10	.31	4	20 - 14	.27	1	.83
YRV8CV14-L	20 - 8	3	8	.44	5	20 - 14	.39	1	1
YRV8CV10-L	12 - 8	3	8	.44	5	12 - 10	.53	4	1.18
YRV6CV10-L	12 - 6	3	6	.50	6	12 - 10	.53	4	1.28
YRV6CV8C-L	8 - 6	3	6	.50	6	8	.53	5	1.21
YRV4CV6C-L	6 - 4	3	4	.50	7	6	.54	6	1.27
YRV2CV6C-L	6 - 2	3	2	.62	8	6	.51	6	1.63

* B and BB dimensions are wire strip lengths.

TABLE 2 TOOL INDEX

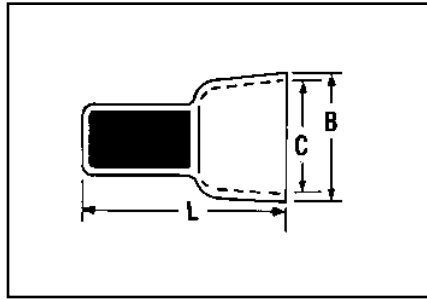
Index Number	Hand Tools	Tools With Dies	
		Y29NC	
1	MR8G98 Y8MRB-1 MR8-90† MR20	—	
2	MR8G98 Y8MRB-1 MR8-90† MR20	—	
4	MR8G98 Y8MRB-1 MR8-90† MR20	—	
5	Y8MRB-1 MY28 MR4C Y1MRTC	Nest	Indentor
		DV8L-1*	Y29PL
6	MY28 Y1MRTC MR4C	DV6L	Y29PL
7	MY28 Y1MRTC MR4C	DV4L	Y19PL
8	Y1MRTC MY28	DV2L	Y29PL

* For aircraft applications (flexible cables).

Blue highlighted items are industry standard and most frequently ordered.

BURCAP TYPES YQE, RK

PIGTAIL SPLICE, NYLON-INSULATED



Rated at 600 volts for building wire and 1000 volts for fixtures and signs, the BURCAP is designed to splice a wide range of different cable sizes.

Catalog Number	Wire Combinations	Total Area Circular Mils	Dimensions in Inches			Installation Tools	Wire Strip Length
			L	B	C	Die Set	
						M8ND, Y8ND	
YQE-91†	1 #16 & 1 #18	4,205	.76	.30	.24	N150WT	5/16"
	2 #18	3,250					
*RK141-2	RK141ABOX100	500 5,180	.607 (16, 4)	.311 (7, 9)	.269 (8, 6)	N150WT	5/16"
	RK142ABOX100						
*RK142-2	6 1 1 1 2 1 1	2,400 13,100	.722 (18, 3)	.440 (11, 2)	.384 (9, 8)	N150WT	5/16"
	5 1 1 1 3 1 1						
	4 2 1 1 1 1 1						
	4 1 2 1 1 1 1						
	3 2 3 1 1 1 1						
	3 2 1 1 1 1 1						
	2 3 1 1 1 1 1						
	2 2 2 1 1 1 1						
	2 1 1 3 1 1 1						
	1 4 2 2 2 1 1						
	1 2 1 1 1 1 1						
	1 1 1 1 1 1 1						
	4 2 1 1 1 1 1						
	3 1 3 1 1 1 1						
	2 2 4 1 1 1 1						
	2 1 1 1 2 1 1						
	1 2 2 2 2 1 1						
	1 1 3 2 1 1 1						
	3 2 1 1 1 1 1						
	2 1 3 1 1 1 1						
	3 1 1 1 1 1 1						
	5 1 1 1 1 1 1						

NOTE: * Convenience Package. For Box quantity, order RK141ABOX100 and RK142ABOX100 respectively.
† This item is UL Listed

Blue highlighted items are industry standard and most frequently ordered.