

Lapp Insulator Company LLC

March 2001'

Catalog: 10G-001

Resale Products

Distribution Insulators

- *Dead Ends*
- *Pin Types*
- *Guy Strain*
- *Spool*

Dead End Insulators

Distribution Voltage 7.5kV – 34.5kV

Lapp Insulator Co. LLC

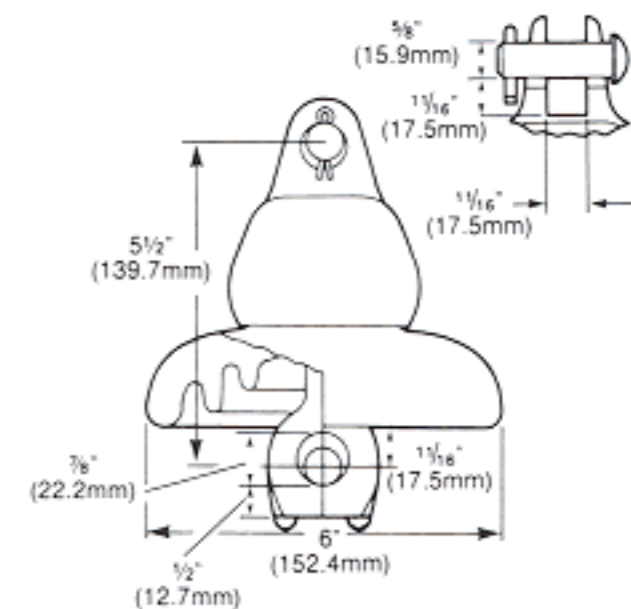
NCI -

- EPDM Standard / Silicone optional (add "S" suffix to Cat. No.)
- One piece injected molded / completed bonded unit.
- End Fittings – Ferrous / hot dipped galvanized – marked with Volt Tek Name, Strength Rating, Date Mfg., and Cat. No.
- RUS Approved.

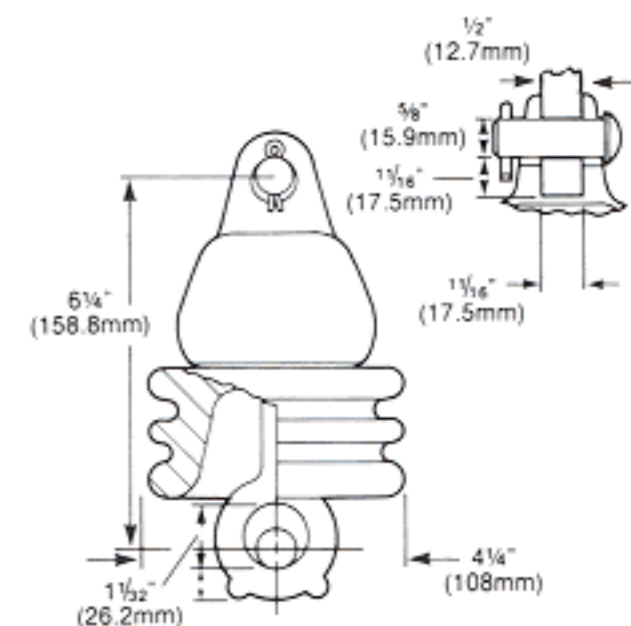
Porcelain -

- Wet process porcelain / ferrous fittings.
- Meets all ANSI C29.2 requirements.

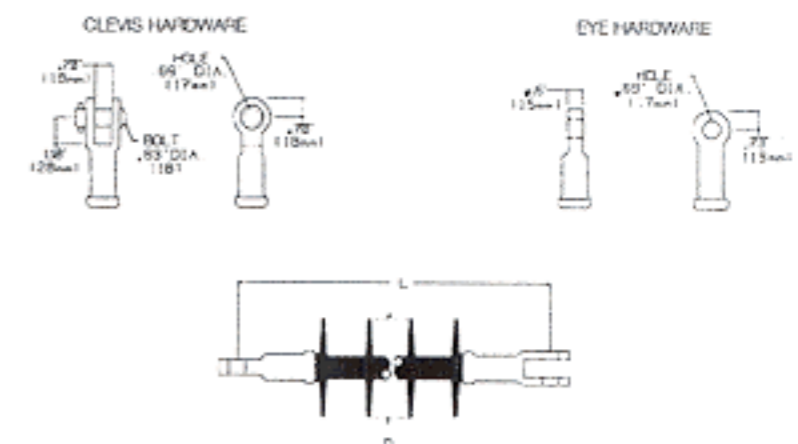
Cat. No.	Lapp	Lapp	Volttek	Volttek	Volttek
	6605-70	6815-70	1515-00	2515-00	3515-00
ANSI Class	52-1	52-9	----	----	-----
System kV.	-----	-----	15kV	25kV	35kV
Material	Porcelain	Porcelain	EPDM	EPDM	EPDM
Distance, Inch.					
Leakage	7	7	16	24.5	37.5
Dry Arc	4.5	4	----	-----	-----
Length	5.5	6.25	12.63	17.3	20.67
Strength, lbs.					
M&E Rating	10,000	10,000			
SML Rating			15,000	15,000	15,000
RTL Rating	5,000	5,000	7,500	7,500	7,500
Impact, in-lbs	45	45			
Torsion, Ft-lbs			40	40	40
Time load	6,000	6,000			
Max. Working	5,000	5,000	7,500	7,500	7,500
Electrical Values kV					
60Hz wet FO	30	30	65	110	140
Impulse FO Pos	100	100	140	215	290
Puncture 60Hz	80	80			
RIV					
Test voltage	7.5	7.5	15	20	30
Max. uV	50	50	10	10	10
Weight, lbs.					
Net weight ea.	5.25	6	4.95	6.05	7.7
No. Std. Pack	12	8	20	15	15
Qty. / Plt.			480	360	300



6605-70



6815-70



Note:

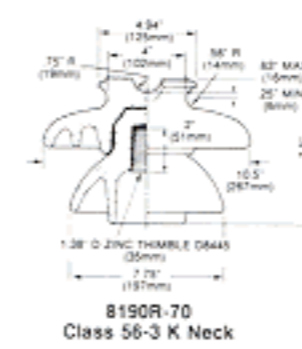
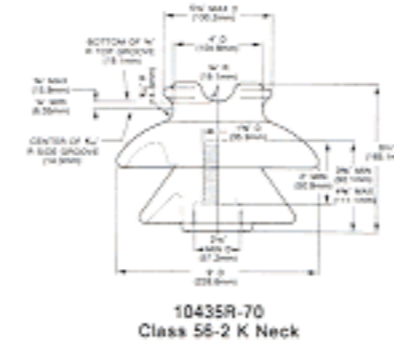
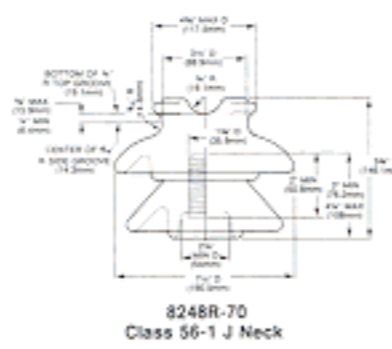
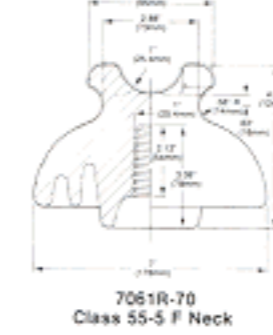
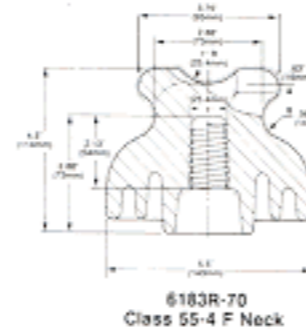
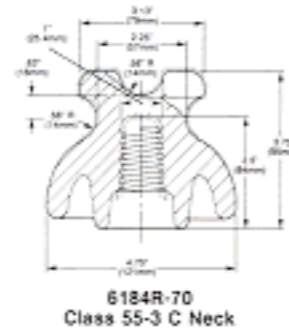
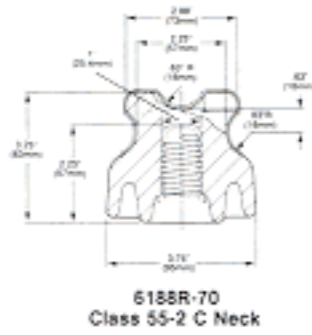
Polymer Material Dead-ends – Volt Tek, Inc. manufactured product offered for resale by Lapp Insulator Company LLC.

Pin Type Insulators

Distribution Voltage 7.5kV – 34.5kV

Lapp Insulator Co. LLC

- Conductive Glaze – applied to head, side wire grooves and pin hole of one-piece units.
- Meet or Exceed - requirements of ANSI C29.5 and C29.6.
- Neck Sizes – "C" & "F" conform to industry standards,
- Pin Hole Sizes – Standard 1" to 15kV , 1.38" for 23kV & 35kV units.



Electrical / Mechanical Values

Cat. No.	ANSI Class	Cantilever Strength Rating	Typical System Voltage	60-Hz. F.O. (kV)		Impulse F.O. (kV)		RIV RMS kV @ 1000 khz		60-Hz (kV) Puncture
				Dry	Wet	Pos.	Neg.	Rms Test kV	uV	
6188R-70	55-2	2500 lbs.	7.5 kV	45	25	70	85	5	50	70
6184R-70	55-3	2500 lbs.	11.5 kV	55	30	90	110	10	50	90
6183R-70	55-4	3000 lbs.	13.5 kV	65	35	105	130	10	50	95
7061R-70	55-5	3000 lbs.	15 kV	80	45	130	150	15	100	115
8248R-70	56-1	2500 lbs.	23 kV	95	60	150	190	15	100	130
10435R-70	56-2	3000 lbs.	23 kV	110	70	175	225	22	100	145
8190R-70	56-3	3000 lbs.	34.5kV	125	80	200	265	30	100	165

Dimensions & Weights

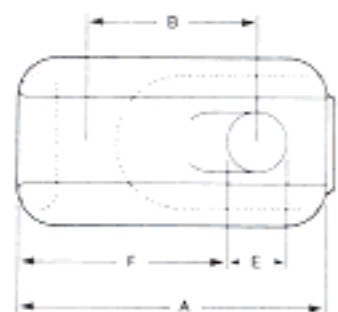
Cat. No.	ANSI Class	Dimensions, Inches				Weight, Lbs.		Qty.	Std. Pack
		Leakage	Dry Arc	Ins. Ht.	Ins. Dia.	Net	Gross		
						Per 100 pcs.			
6188R-70	55-2	5	3.375	3.25	3.75	146	154	36	
6184R-70	55-3	7	4.5	3.75	4.75	226	238	24	
6183R-70	55-4	9	5	4.375	5.5	350	367	18	
7061R-70	55-5	12	6.25	4.875	7	550	773	12	
8248R-70	56-1	13	7	5.75	7.5	700	880	8	
10435R-70	56-2	17	8.25	6.5	9	950	1250	4	
8190R-70	56-3	21	9.5	7.5	10.5	1500	1900	3	

Guy Strain & Spool Insulators

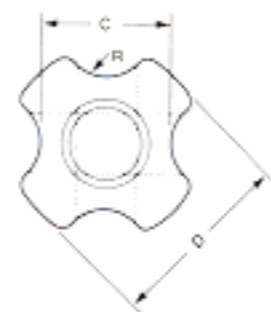
Distribution Class Series 53 & 54

Lapp Insulator Co. LLC

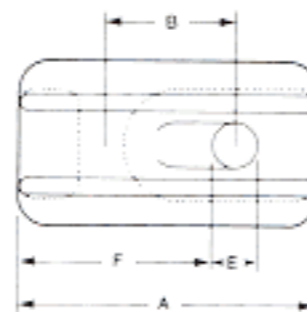
- Guy Strain Insulators conform to ANSI Standard C29.4.
- Spool Insulators conform to ANSI Standard C29.3.
- Cable approaches to the Guy hole are designed to minimize cable stress.
- All Insulator designs of highest grade electrical process porcelain.



8502-70



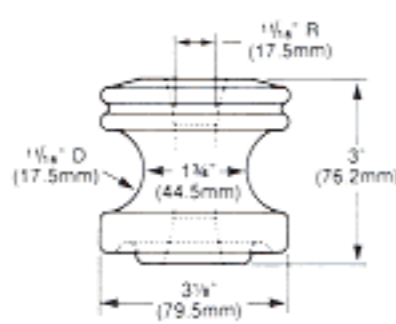
8504-70



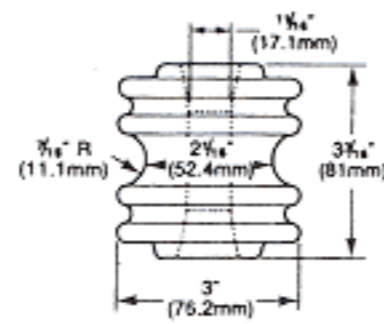
8506-70



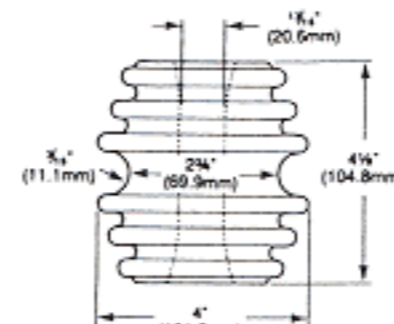
8451-70



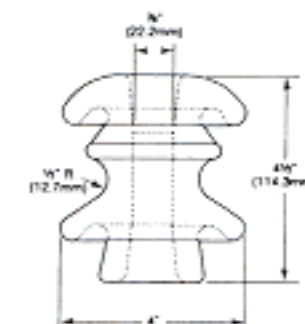
8442-70



8443-70



8444-70



8447-70

Cat. No.	8502-70	8504-70	8506-70	8451-70	8441-70	8442-70	8443-70	8444-70
ANSI Class	54-1	54-2	54-3	54-4	53-1	53-2	53-3	53-4
Nom.Kv	2.2	4.4	6.6	6.6				
Mechanical Strength Ratings, lbs.								
Cantilever	10,000	12,000	20,000	20,000				
Transverse					2,000	3,000	4,000	4,500
Electrical Values, kV								
60Hz Dry FO	25	30	35	40	20	25	25	25
60Hz Wet FO	12	15	18	35				
Vertical					8	12	12	12
Horizontal					10	15	15	15
No. Std. Pack	50	50	25	16	100	50	50	50
Weight, lbs.								
Net-100pcs.	96	159	278	440	50	117	130	232
Gross-100pcs	100	164	288	455	52	125	138	245

Distribution Insulators

Cross Reference Guide

Lapp Insulator Co. LLC

Note: Comparative catalog numbers are intended as a guide only.

		Lapp	Victor	Porc Prod	Chance
	ANSI Class				
Deadends	52-1	6605-70	804	86012	907-1001
	52-9	6815-70	807	84300	907-1009

Spools	53-1	8441-70	2011	5112	909-1031
	53-2	8442-70	2012	5101	909-1032
	53-3	8443-70	2013	5104	909-1033
	53-4	8444-70	2026	5119	909-1034
	53-5	320141-70		5116	909-1035

Guy Strains	54-1	8502-70	502	502	909-1041
	54-2	8504-70	504	504	909-1042
	54-3	8506-70	506	506	909-1043
	54-4	8451-70	556	708	909-1044

Pins	55-2	6188R-70	8R	253S	905-1301
	55-3	6184R-70	5R	261S	905-1302
	55-4	6183R-70	6R	366S	905-1304
	55-5	7061R-70	9R	380S	905-1305
	56-1	8248R-70	27R	1027S	906-1311
	56-2	10435R-70	1133R	2033S	906-1302
	56-3	8190R-70	245R	2045S	906-1303