

# Catalog Supplement

G&W Electric Co.

**EPOX**<sup>®</sup>  
TECHNOLOGY

Date: August, 2006  
No.: GW20-CS63B  
Supersedes Issue Dated May, 2000  
File behind Underground  
Distribution Tab

## G&W Submersible Multiple Point Junctions

G&W multiple point junctions provide an extremely compact, versatile solution for loop, tap, grounding, testing or sectionalizing applications requiring multiple connection points for 200A or 600A elbows. Ratings are available through 27kV, 600A, and through 35kV for 200A applications. Padmount, vault and subsurface designs are available.

### FEATURES

**Customizing Capability** - G&W specializes in custom solutions to meet the ever changing needs of its customers. Contact your G&W representative with specific application requirements.

**Application Versatility** - G&W EPOX junctions accommodate up to 6 point configurations with any combination of 200A or 600A interfaces for load break elbows. The junctions can eliminate or minimize the requirement for stacking 200A taps on 600A elbows and provide an ideal solution for confined space installations. The flexible design permits integrating interface points for grounding or testing the circuit while minimizing the movement of cables. Junction points can also be used for arrester locations.

### **Rugged construction using EPOX technology** -

G&W's EPOX quality process uses time-proven epoxy resin to assure a void-free, extremely durable system impervious to environmental contamination. The rugged epoxy interfaces minimize the breaking force required for removing separable connectors compared to rubber-to-rubber junctions. The epoxy system provides excellent mechanical and electrical properties, excellent fracture toughness, and outstanding thermal endurance. A permanently bonded, external semi-conducting coating provides a fully shielded, deadfront system. Copper buswork provides maximum conductivity. Silicone bronze studs assure high strength connection points.

**Mounting Flexibility** - An optional stainless steel mounting bracket with tilt feature helps facilitate the most ideal mounting configuration where cable training is a concern. Parking stands are available and can be rotated to match a vertical or horizontal configuration. A retaining plate with "U" straps is available for padmount enclosure installations.

**Tested Reliability** - G&W junctions are designed and tested to applicable sections of IEEE 386 and IEEE 592 standards. Production tests include X-ray, corona, partial discharge and AC withstand.



## RATINGS

Voltage Rating, kV

Gnd-Y system*	8.3/14.4	15.2/26.3	21.1/36.6
BIL Impulse, kV	95	125	150
Continuous Current, A	600	600	200
One Minute AC			
Withstand, kV	34	40	50
Fifteen Minute DC			
Withstand, kV	53	78	103
Corona Extinction at			
3 pc sensitivity, kV	11	19	26

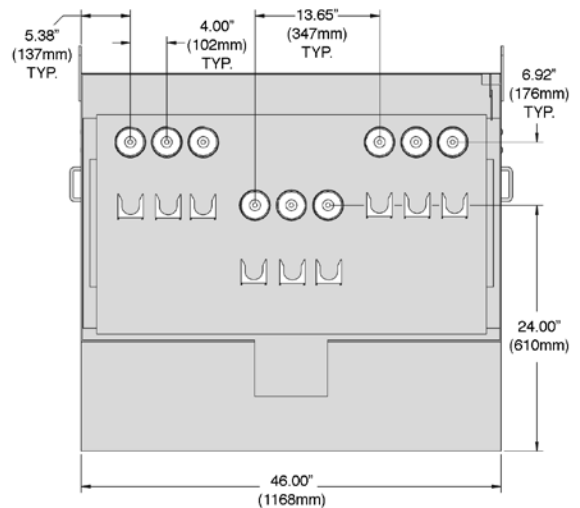
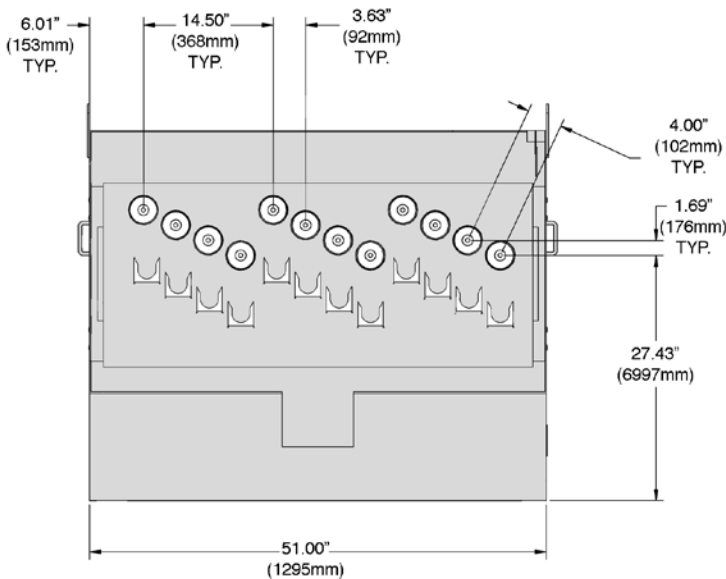
\*Phase-to-phase/phase-to-ground

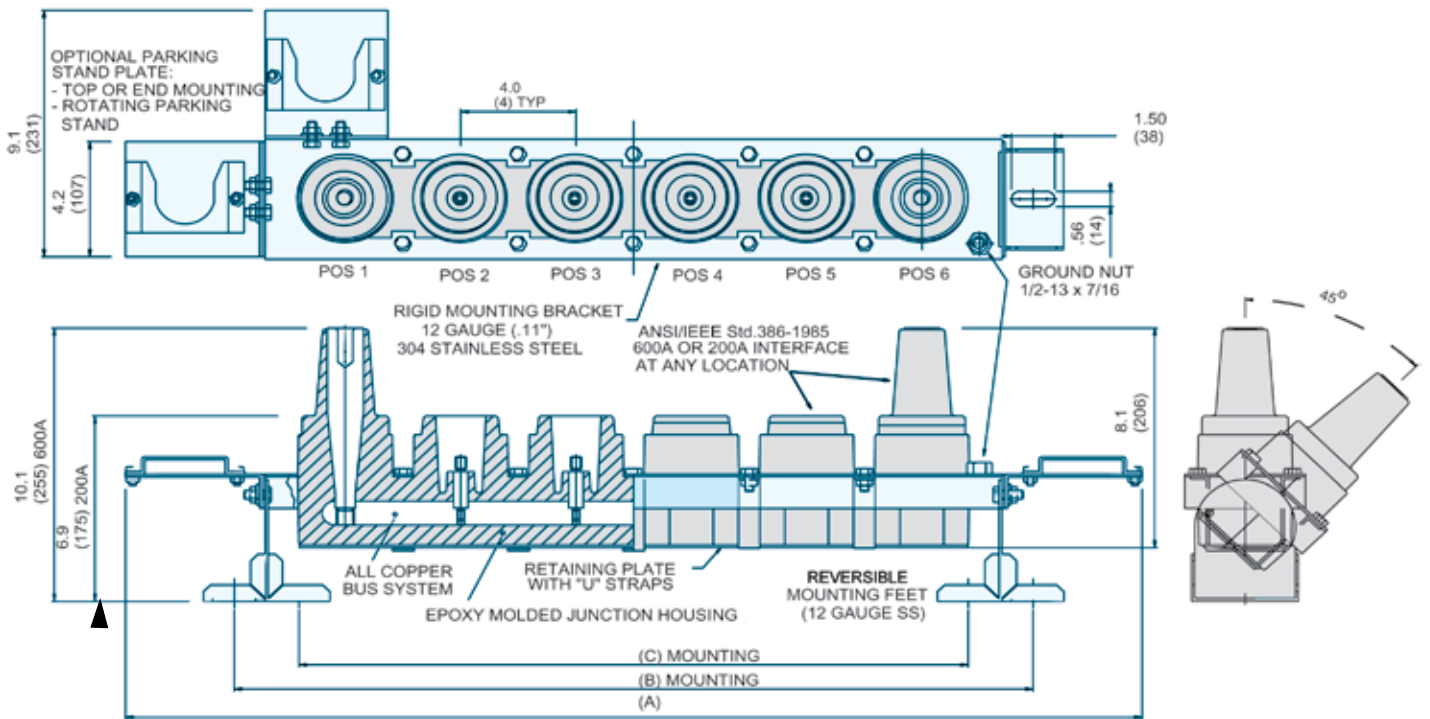
Vacuum interrupter switch provides overcurrent protection while the 600A junctions provide a disconnect point. ▶



## SECTIONALIZING CABINETS

Multiple point junctions can be provided in a sectionalizing cabinet for padmount applications. Configuration (below) shows typical dimensions for a cabinet incorporating three, 4-position junction bars. Configuration (below, right) and image (right) show typical dimensions for a cabinet incorporating three, 3-position junction bars. Custom configurations are also available (see page 4).





No. Positions	Model No.	Approximate Dimensions, inches (mm)		
		A	B	C
3	JB3	23.3 (592)	15.7 (399)	11.2 (284)
4	JB4	27.3 (693)	19.7 (500)	15.2 (386)
5	JB5	31.3 (795)	23.7 (602)	19.2 (488)
6	JB6	35.3 (897)	27.7 (704)	23.2 (590)

Voltage Class (kV)	Inches (mm)		
	A	B	C
15kV	9.8 (248)	10.5 (267)	11.9 (303)
25kV	11.3 (287)	12.1 (307)	11.9 (303)
35kV*	10.2 (259)	11.1 (282)	14.0 (355)

\*200A only.

NOTE: Above dimensions are approximate and depend on elbow manufacturer.

◀ G&W multiple point junctions permit an adjacent mounted 200A tap on a 600A junction versus piggy-backing the elbows.

## ORDERING INFORMATION

	<b>JB</b>	<b>6</b>	<b>6</b>	<b>2</b>	<b>2</b>	<b>2</b>	<b>2</b>	<b>6</b>	<b>1</b>	<b>5</b>	<b>P</b>
Junction Bar (Insert PME-3-JB for sectionalizing cabinet)			Interface Position (up to 6)					Voltage Class (kV)			
<u>No. of Positions</u> 3, 4, 5 or 6			2 = 200A	6 = 600A	B = Blank		15	27	35 (200A only)		
							<u>Mounting Options</u>				
							U = 'U' straps and retaining plate only.				
							P = Stainless steel mounting bracket and parking stands (includes 2 stands packaged separately).				

**Example 1:** Vault mounted, 15kV, 6-position with 600A interface on positions 1 and 6, 200A interface on positions 2, 3, 4 and 5, with mounting bracket and parking stand option. Catalog number would be JB662222615P.

**Example 2:** Sectionalizing cabinet, 27kV, 5-position with 600A interface on positions 1 and 2, 200A interface on positions 3, 4, and 5. Catalog number would be PME-3-JB56622227P.

## CUSTOM CONFIGURATIONS AVAILABLE

Example of a custom configuration. For junction bar requirements not covered in this catalog, contact your G&W representative.

