

TABLE OF CONTENTS

ACSR Conductor Accessories

Deadends Single Pad I-3
 Deadends Double Pad I-4
 Deadends Single Pad EHV I-5
 Deadends Double Pad EHV I-6
 Splices I-7
 Splices EHV I-8
 Jumper Terminals I-9
 Jumper Terminals EHV I-10
 Loop Splice I-11
 Loop Splice EHV I-12
 Compression T-Tap I-13
 T-Tap with Pad I-14
 Repair Sleeve I-15

AAC/ACAR Conductor Accessories

Deadends Single Pad I-16
 Deadends Single Pad EHV I-17
 Deadends Double Pad I-18
 Deadends Double Pad EHV I-19
 Splices, Stranded I-20
 Splices, Stranded EHV I-21
 Splices, ACAR I-22
 Splices, ACAR EHV I-23
 Jumper Terminals I-24
 Jumper Terminals EHV I-25
 Loop Splice I-26
 Loop Splice EHV I-27
 T-Tap with Pad I-28
 Compression T-Tap I-29
 Repair Sleeve, AAC and ACAR I-30

ACSS Conductor Accessories — High Temperature

Deadends Single Pad I-31
 Deadends Double Pad I-32
 Deadends Single Pad EHV I-33
 Deadends Double Pad EHV I-34
 Splices I-35
 Splices EHV I-36
 Jumper Terminals I-37
 Jumper Terminals EHV I-38
 Loop Splice I-39
 Loop Splice EHV I-40
 Compression T-Tap I-41
 T-Tap with Pad I-42
 Repair Sleeve I-43

Alumoweld and EHS Steel Conductor Accessories

Jumper Terminals I-44
 Splices, Alumoweld I-45
 Splices, EHS Steel I-46

ACCC® Composite Core Accessories — High Temperature

Deadends Single Pad I-47 - I-48
 Splices I-49
 Jumper Terminals I-50
 T-Tap with Pad I-51
 Repair Sleeve I-52

IMPLO™ Conductor Accessories

Deadends Single Pad I-53 - I-56
 Splices I-57 - I-60
 Jumper Terminals I-61 - I-63
 Repair Sleeve I-65 - I-68

Motion Control Accessories

Stockbridge Dampers I-69
 Spacer Dampers I-70
 Damping Study I-71

Oxide Inhibiting Joint Compounds

PENETROX™ I-72 - I-73

Installation Tooling and Accessories

Y60BHU, Y60BHUD I-74
 PAT46-18V I-75
 PATCUT129ACSR-18V I-76
 PATHCC10-18V Series I-77
 Y45 I-78
 Y46, Y46C I-79
 RHCC129ACSR I-80
 Y10AC9 I-81
 EPP10, EPP6 I-82
 GP10 I-83
 Hydraulic Hoses I-84
 Hydraulic Accessories I-85

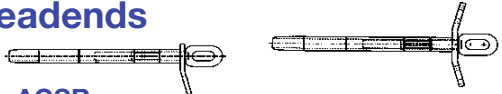
Index

Quick Reference I-2

I-1

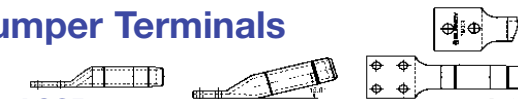
QUICK CATALOG REFERENCE

Deadends



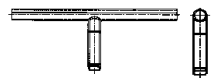
ACSR	I-3 - I-6
ACSS	I-31 - I-34
AAC/ACAR	I-16 - I-19
ACCC®	I-47 - I-48
IMPLO™	I-53 - I-56

Jumper Terminals




ACSR	I-9 - I-10
ACSS	I-37 - I-38
AAC/ACAR	I-24 - I-25
Steel	I-44
ACCC®	I-50
IMPLO™	I-61 - I-63

Compression T-Tap



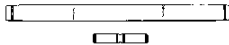
ACSR	I-13
AAC/ACAR	I-29
ACSS	I-41

Repair Sleeve



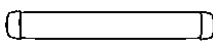
ACSR	I-15
ACSS	I-43
AAC/ACAR	I-30
ACCC®	I-52
IMPLO™	I-65 - I-68

Splices



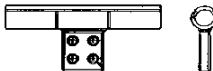
ACSR	I-7 - I-8
ACSS	I-35 - I-36
AAC/ACAR	I-20 - I-23
Alumoweld	I-45
EHS Steel	I-46
ACCC®	I-49
IMPLO™	I-57 - I-60

Loop Splice



ACSR	I-11 - I-12
ACSS	I-39 - I-40
AAC/ACAR	I-26 - I-27

T-Tap with Pad



ACSR	I-14
AAC/ACAR	I-28
ACSS	I-42
ACCC®	I-51

Motion Control



Stockbridge Damper	I-69
Spacer Damper	I-70
Damping Study	I-71

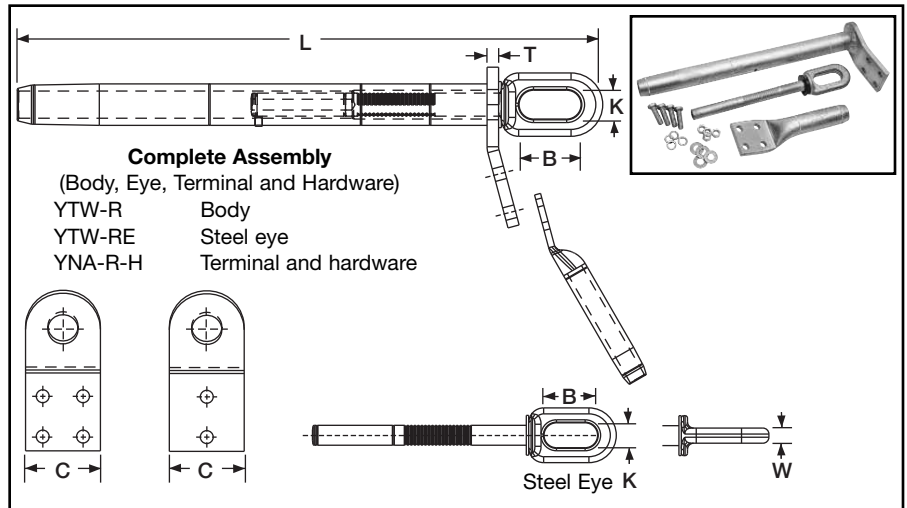
I-2

Blue highlighted items are industry standard and most frequently ordered.

**TYPE YTW-R-REK,
YTW-R, YTW-RE,
YNA-R-H**

**Single Pad Full Tension
Deadend for ACSR Conductor**

Full tension compression deadend for ACSR transmission lines up to and including 230 kV. Standard 15° NEMA tap pad provides either 0° or 30° tap when YNA-R15 terminal is used.



Conductor Name	ACSR		Stranding		Single Pad		Inches			Body Die*‡	Steel Eye*	Inches			Eye Die	Terminal with Hardware	Term Die*‡
	Size kcmil	Alum	Steel	Complete Assembly	Alum. Body	L	C	T	B			K	W				
Linnet	336.4	26	7	YTW32R34REK	YTW32R	17.53	2.25	0.50	L717	YTW34RE	2.50	0.88	0.62	L718	YNA32R15H	L717	
Oriole	336.4	30	7	YTW32R33REK	YTW32R	17.53	2.25	0.50	L717	YTW33RE	2.50	0.88	0.62	L718	YNA32R15H	L717	
Ibis	397.5	26	7	YTW34R34REK	YTW34R	17.60	2.25	0.50	L719	YTW34RE	2.50	0.88	0.62	L718	YNA34R15H	L719	
Flicker	477	24	7	YTW36R362REK	YTW36R	19.41	2.25	0.50	L720	YTW362RE	2.50	0.88	0.62	L721	YNA36R15H	L720	
Hawk	477	26	7	YTW36R36REK	YTW36R	19.41	2.25	0.50	L720	YTW36RE	2.50	0.88	0.62	L721	YNA36R15H	L720	
Parakeet	556.5	24	7	YTW39R43REK	YTW39R	19.66	2.25	0.50	L722	YTW43RE	2.50	0.88	0.69	L723	YNA39R15H	L722	
Dove	556.5	26	7	YTW39R43REK	YTW39R	19.66	2.25	0.50	L722	YTW43RE	2.50	0.88	0.69	L723	YNA39R15H	L722	
Peacock	605	24	7	YTW43R43REK	YTW43R	20.49	3.25	0.50	L724	YTW43RE	2.50	0.88	0.69	L723	YNA43R15H	L724	
Squab	605	26	7	YTW43R43REK	YTW43R	20.49	3.25	0.50	L724	YTW43RE	2.50	0.88	0.69	L723	YNA43R15H	L724	
Rook	636	24	7	YTW43R43REK	YTW43R	20.49	3.25	0.50	L724	YTW43RE	2.50	0.88	0.69	L723	YNA43R15H	L724	
Grosbeak	636	26	7	YTW43R43REK	YTW43R	20.49	3.25	0.50	L724	YTW43RE	2.50	0.88	0.69	L723	YNA43R15H	L724	
Flamingo	666.6	24	7	YTW43R43REK	YTW43R	20.49	3.25	0.50	L724	YTW43RE	2.50	0.88	0.69	L723	YNA43R15H	L724	
Starling	715.5	26	7	YTW451R48REK	YTW451R	25.41	3.25	0.50	L725	YTW48RE	2.69	1.25	0.75	L726	YNA451R15H	L725	
Cuckoo	795	24	7	YTW451R45REK	YTW451R	25.41	3.25	0.50	L725	YTW45RE	2.69	1.25	0.75	L726	YNA451R15H	L725	
Drake	795	26	7	YTW451R48REK	YTW451R	25.41	3.25	0.50	L725	YTW48RE	2.69	1.25	0.75	L726	YNA451R15H	L725	
Tern	795	45	7	YTW451R481REK	YTW451R	25.41	3.25	0.50	L725	YTW481RE	2.69	1.25	0.75	L726	YNA451R15H	L725	
Condor	795	54	7	YTW451R45REK	YTW451R	25.41	3.25	0.50	L725	YTW45RE	2.69	1.25	0.75	L726	YNA451R15H	L725	
Ruddy	900	45	7	YTW48R481REK	YTW48R	25.50	3.25	0.50	L727	YTW481RE	2.69	1.25	0.75	L726	YNA49R15H	L727	
Rail	954	45	7	YTW48R481REK	YTW48R	25.50	3.25	0.50	L727	YTW481RE	2.69	1.25	0.75	L726	YNA49R15H	L727	
Cardinal	954	54	7	YTW48R48REK	YTW48R	25.50	3.25	0.50	L727	YTW48RE	2.69	1.25	0.75	L726	YNA49R15H	L727	
Ortolan	1033.5	45	7	YTW49R483REK	YTW49R	27.35	3.25	0.50	L727	YTW483RE	2.69	1.25	1.00	L726	YNA49R15H	L727	
Curlew	1033.5	54	7	YTW49R50REK	YTW49R	27.35	3.25	0.50	L727	YTW50RE	2.69	1.25	1.00	L726	YNA49R15H	L727	
Bluejay	1113	45	7	YTW49R483REK	YTW49R	27.35	3.25	0.50	L727	YTW483RE	2.69	1.25	1.00	L726	YNA49R15H	L727	
Finch	1113	54	19	YTW52R50REK	YTW52R	31.55	4.00	0.62	L728	YTW50RE	2.69	1.25	1.00	L726	YNA52R15H	L728	
Bunting	1192.5	45	7	YTW52R521REK	YTW52R	31.55	4.00	0.62	L728	YTW521RE	2.69	1.25	1.00	L726	YNA52R15H	L728	
Bittern	1272	45	7	YTW52R521REK	YTW52R	31.55	4.00	0.62	L728	YTW521RE	2.69	1.25	1.00	L726	YNA52R15H	L728	
Pheasant	1272	54	19	YTW52R56REK	YTW52R	31.55	4.00	0.62	L728	YTW56RE	2.69	1.25	1.00	L726	YNA52R15H	L728	
Dipper	1351.5	45	7	YTW52R521REK	YTW52R	31.55	4.00	0.62	L728	YTW521RE	2.69	1.25	1.00	L726	YNA52R15H	L728	
Martin	1351.5	54	19	YTW52R56REK	YTW52R	31.55	4.00	0.62	L728	YTW56RE	2.69	1.25	1.00	L726	YNA52R15H	L728	
Nuthatch	1510.5	45	7	YTW549R521REK	YTW549R	31.55	4.00	0.62	L729	YTW521RE	2.69	1.25	1.00	L726	YNA56R15H	L729	
Parrot	1510.5	54	19	YTW549R56REK	YTW549R	31.55	4.00	0.62	L729	YTW56RE	2.69	1.25	1.00	L726	YNA56R15H	L729	
Lapwing	1590	45	7	YTW549R549REK	YTW549R	31.55	4.00	0.62	L729	YTW549RE	2.69	1.25	1.00	L726	YNA56R15H	L729	
Falcon	1590	54	19	YTW56R590REK	YTW56R	31.99	4.00	0.62	L729	YTW590RE	2.69	1.25	1.00	L726	YNA56R15H	L729	
Chukar	1780	84	19	YTW58R58REK	YTW58R	32.99	4.00	0.62	L735	YTW58RE	2.69	1.25	1.00	L726	YNA58R15H	L735	
Bluebird	2156	84	19	YTW59R59REK	YTW59R	33.34	4.00	0.62	L735	YTW59RE	2.69	1.25	1.00	L726	YNA59R15H	L735	
Kiwi	2167	72	7	YTW59R591REK	YTW59R	33.34	4.00	0.62	L735	YTW591RE	2.69	1.25	1.00	L726	YNA59R15H	L735	

Complete Assembly: Includes Aluminum body, Steel eye, 15 degree terminal and aluminum hardware. For stainless steel hardware add SS to end of catalog number for complete assembly (example: YTW32R34REKSS) or to terminal (YNA32R15HSS) if ordered separately.

For assembly without terminal and hardware add NT to end of complete assembly catalog number (example: YTW32R34REKNT). Two hole NEMA pads standard on conductors up to 556.5 kcmil; Four hole NEMA pads on larger conductor sizes.

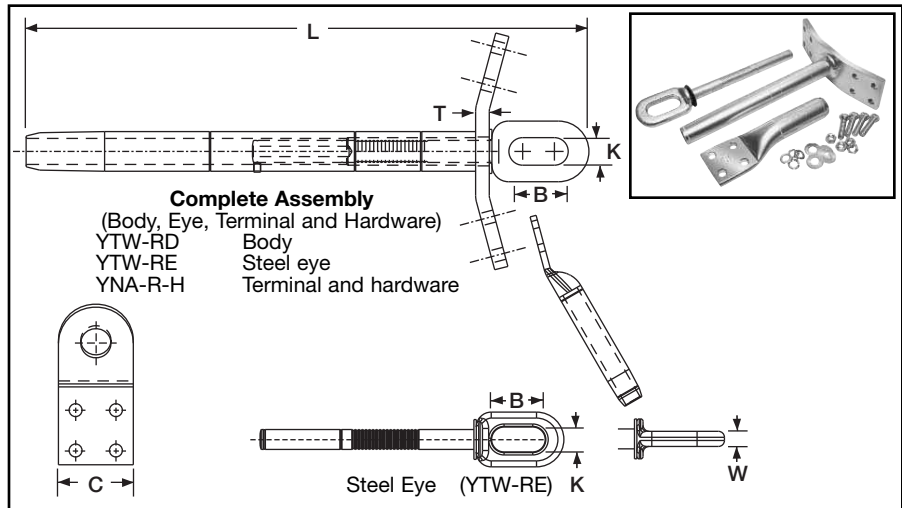
* Overlap crimps.
‡ Wide dies may be used, add suffix "W" to part number (example: L725W).

Blue highlighted items are industry standard and most frequently ordered.

TYPES YTW-RD-REK, YTW-RD, YTW-RE, YNA-R-H

Double Pad Full Tension Deadend for ACSR Conductor

Full tension compression deadend for ACSR transmission lines up to and including 230 kV. Standard 15° NEMA tap pad provides either 0° or 30° tap when YNA-R15 terminal is used.



Conductor Name	ACSR		Double Pad		Inches			Body Die*‡	Steel Eye*	Inches			Eye Die	Terminal with Hardware	Term Die*‡
	Size kcmil	Stranding	Complete Assembly	Alum. Body	L	C	T			B	K	W			
Linnet	336.4	26 7	YTW32RD34REK	YTW32RD	17.53	2.25	0.50	L717	YTW34RE	2.50	0.88	0.62	L718	YNA32R15H	L717
Oriole	336.4	30 7	YTW32RD33REK	YTW32RD	17.53	2.25	0.50	L717	YTW33RE	2.50	0.88	0.62	L718	YNA32R15H	L717
Ibis	397.5	26 7	YTW34RD34REK	YTW34RD	17.60	2.25	0.50	L719	YTW34RE	2.50	0.88	0.62	L718	YNA34R15H	L719
Flicker	477	24 7	YTW36RD362REK	YTW36RD	15.44	2.25	0.50	L720	YTW362RE	2.50	0.88	0.62	L721	YNA36R15H	L720
Hawk	477	26 7	YTW36RD36REK	YTW36RD	19.41	2.25	0.50	L720	YTW36RE	2.50	0.88	0.62	L721	YNA36R15H	L720
Parakeet	556.5	24 7	YTW39RD43REK	YTW39RD	19.66	2.25	0.50	L722	YTW43RE	2.50	0.88	0.69	L723	YNA39R15H	L722
Dove	556.5	26 7	YTW39RD43REK	YTW39RD	19.66	2.25	0.50	L722	YTW43RE	2.50	0.88	0.69	L723	YNA39R15H	L722
Peacock	605	24 7	YTW43RD43REK	YTW43RD	20.49	3.25	0.50	L724	YTW43RE	2.50	0.88	0.69	L723	YNA43R15H	L724
Squab	605	26 7	YTW43RD43REK	YTW43RD	20.49	3.25	0.50	L724	YTW43RE	2.50	0.88	0.69	L723	YNA43R15H	L724
Rook	636	24 7	YTW43RD43REK	YTW43RD	20.49	3.25	0.50	L724	YTW43RE	2.50	0.88	0.69	L723	YNA43R15H	L724
Grosbeak	636	26 7	YTW43RD43REK	YTW43RD	20.49	3.25	0.50	L724	YTW43RE	2.50	0.88	0.69	L723	YNA43R15H	L724
Flamingo	666.6	24 7	YTW43RD43REK	YTW43RD	20.49	3.25	0.50	L724	YTW43RE	2.50	0.88	0.69	L723	YNA43R15H	L724
Starling	715.5	26 7	YTW451RD48REK	YTW451RD	25.41	3.25	0.50	L725	YTW48RE	2.69	1.25	0.75	L726	YNA451R15H	L725
Cuckoo	795	24 7	YTW451RD45REK	YTW451RD	25.41	3.25	0.50	L725	YTW45RE	2.69	1.25	0.75	L726	YNA451R15H	L725
Drake	795	26 7	YTW451RD48REK	YTW451RD	25.41	3.25	0.50	L725	YTW48RE	2.69	1.25	0.75	L726	YNA451R15H	L725
Tern	795	45 7	YTW451RD481REK	YTW451RD	25.41	3.25	0.50	L725	YTW481RE	2.69	1.25	0.75	L726	YNA451R15H	L725
Condor	795	54 7	YTW451RD45REK	YTW451RD	25.41	3.25	0.50	L725	YTW45RE	2.69	1.25	0.75	L726	YNA451R15H	L725
Ruddy	900	45 7	YTW48RD481REK	YTW48RD	25.50	3.25	0.50	L727	YTW481RE	2.69	1.25	0.75	L726	YNA49R15H	L727
Rail	954	45 7	YTW48RD481REK	YTW48RD	25.50	3.25	0.50	L727	YTW481RE	2.69	1.25	0.75	L726	YNA49R15H	L727
Cardinal	954	54 7	YTW48RD48REK	YTW48RD	25.50	3.25	0.50	L727	YTW48RE	2.69	1.25	0.75	L726	YNA49R15H	L727
Ortolan	1033.5	45 7	YTW49RD483REK	YTW49RD	27.35	3.25	0.50	L727	YTW483RE	2.69	1.25	1.00	L726	YNA49R15H	L727
Curlew	1033.5	54 7	YTW49RD50REK	YTW49RD	27.35	3.25	0.50	L727	YTW50RE	2.69	1.25	1.00	L726	YNA49R15H	L727
Bluejay	1113	45 7	YTW49RD483REK	YTW49RD	27.35	3.25	0.50	L727	YTW483RE	2.69	1.25	1.00	L726	YNA49R15H	L727
Finch	1113	54 19	YTW52RD50REK	YTW52RD	31.55	4.00	0.62	L728	YTW50RE	2.69	1.25	1.00	L726	YNA52R15H	L728
Bunting	1192.5	45 7	YTW52RD521REK	YTW52RD	31.55	4.00	0.62	L728	YTW521RE	2.69	1.25	1.00	L726	YNA52R15H	L728
Bittern	1272	45 7	YTW52RD521REK	YTW52RD	31.55	4.00	0.62	L728	YTW521RE	2.69	1.25	1.00	L726	YNA52R15H	L728
Pheasant	1272	54 19	YTW52RD56REK	YTW52RD	31.55	4.00	0.62	L728	YTW56RE	2.69	1.25	1.00	L726	YNA52R15H	L728
Dipper	1351.5	45 7	YTW52RD521REK	YTW52RD	31.55	4.00	0.62	L728	YTW521RE	2.69	1.25	1.00	L726	YNA52R15H	L728
Martin	1351.5	54 19	YTW52RD56REK	YTW52RD	31.55	4.00	0.62	L728	YTW56RE	2.69	1.25	1.00	L726	YNA52R15H	L728
Nuthatch	1510.5	45 7	YTW549RD521REK	YTW549RD	31.55	4.00	0.62	L729	YTW521RE	2.69	1.25	1.00	L726	YNA56R15H	L729
Parrot	1510.5	54 19	YTW549RD56REK	YTW549RD	31.55	4.00	0.62	L729	YTW56RE	2.69	1.25	1.00	L726	YNA56R15H	L729
Lapwing	1590	45 7	YTW549RD549REK	YTW549RD	31.55	4.00	0.62	L729	YTW549RE	2.69	1.25	1.00	L726	YNA56R15H	L729
Falcon	1590	54 19	YTW56RD590REK	YTW56RD	31.99	4.00	0.62	L729	YTW590RE	2.69	1.25	1.00	L726	YNA56R15H	L729
Chukar	1780	84 19	YTW58RD58REK	YTW58RD	32.99	4.00	0.62	L735	YTW58RE	2.69	1.25	1.00	L726	YNA58R15H	L735
Bluebird	2156	84 19	YTW59RD59REK	YTW59RD	33.34	4.00	0.62	L735	YTW59RE	2.69	1.25	1.00	L726	YNA59R15H	L735
Kiwi	2167	72 7	YTW59RD591REK	YTW59RD	33.34	4.00	0.62	L735	YTW591RE	2.69	1.25	1.00	L726	YNA59R15H	L735

Complete Assembly: Includes Aluminum body, Steel eye, 15 degree terminal and aluminum hardware. For stainless steel hardware add SS to end of catalog number for complete assembly (example: YTW32RD34REKSS) or to terminal (YNA32R15HSS) if ordered separately.

For assembly without terminal and hardware add NT to end of complete assembly catalog number (example: YTW32RD34REKNT). Two hole NEMA pads standard on conductors up to 556.5 kcmil; Four hole NEMA pads on larger conductor sizes.

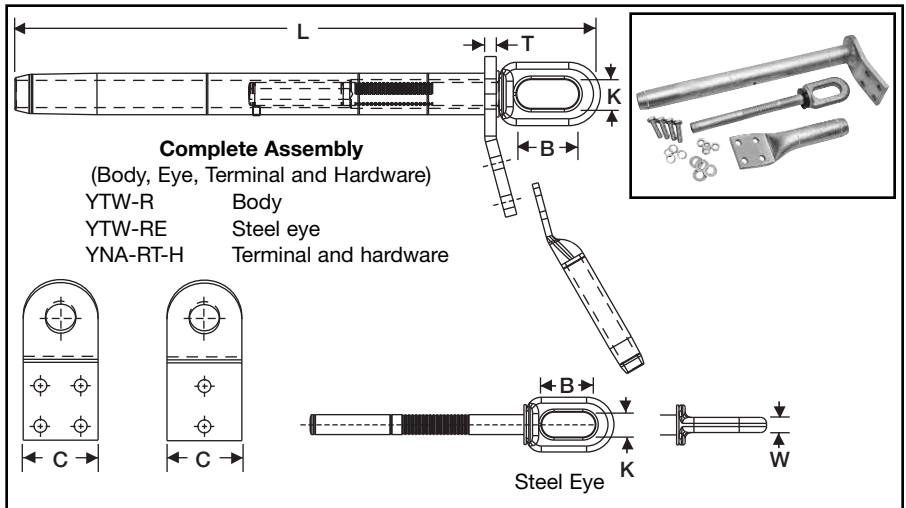
* Overlap crimps.
‡ Wide dies may be used, add suffix "W" to part number (example: L725W).

Blue highlighted items are industry standard and most frequently ordered.

**TYPES YTW-RT-REK,
YTW-RT, YTW-RE,
YNA-RT-H EHV**

**Single Pad, EHV Full Tension
Deadend for ACSR Conductor**

Full tension compression deadend for ACSR transmission lines at 345 kV and over. Standard 15° NEMA tap pad provides either 0° or 30° tap when YNA-R15 terminal is used.



Conductor Name	ACSR		Stranding		Single Pad		Inches			Body Die*‡	Steel Eye*	Inches			Eye Die	Terminal with Hardware	Term Die*‡
	Size kcmil	Alum	Steel	Complete Assembly	Alum. Body	L	C	T	B			K	W				
Linnet	336.4	26	7	YTW32RT34REK	YTW32RT	17.53	2.25	0.50	L717	YTW34RE	2.50	0.88	0.62	L718	YNA32RT15H	L717	
Oriole	336.4	30	7	YTW32RT33REK	YTW32RT	17.53	2.25	0.50	L717	YTW33RE	2.50	0.88	0.62	L718	YNA32RT15H	L717	
Ibis	397.5	26	7	YTW34RT34REK	YTW34RT	17.60	2.25	0.50	L719	YTW34RE	2.50	0.88	0.62	L718	YNA34RT15H	L719	
Flicker	477	24	7	YTW36RT362REK	YTW36RT	19.41	2.25	0.50	L720	YTW362RE	2.50	0.88	0.62	L721	YNA36RT15H	L720	
Hawk	477	26	7	YTW36RT36REK	YTW36RT	19.41	2.25	0.50	L720	YTW36RE	2.50	0.88	0.62	L721	YNA36RT15H	L720	
Parakeet	556.5	24	7	YTW39RT43REK	YTW39RT	19.66	2.25	0.50	L722	YTW43RE	2.50	0.88	0.69	L723	YNA39RT15H	L722	
Dove	556.5	26	7	YTW39RT43REK	YTW39RT	19.66	2.25	0.50	L722	YTW43RE	2.50	0.88	0.69	L723	YNA39RT15H	L722	
Peacock	605	24	7	YTW43RT43REK	YTW43RT	20.49	3.25	0.50	L724	YTW43RE	2.50	0.88	0.69	L723	YNA43RT15H	L724	
Squab	605	26	7	YTW43RT43REK	YTW43RT	20.49	3.25	0.50	L724	YTW43RE	2.50	0.88	0.69	L723	YNA43RT15H	L724	
Rook	636	24	7	YTW43RT43REK	YTW43RT	20.49	3.25	0.50	L724	YTW43RE	2.50	0.88	0.69	L723	YNA43RT15H	L724	
Grosbeak	636	26	7	YTW43RT43REK	YTW43RT	20.49	3.25	0.50	L724	YTW43RE	2.50	0.88	0.69	L723	YNA43RT15H	L724	
Flamingo	666.6	24	7	YTW43RT43REK	YTW43RT	20.49	3.25	0.50	L724	YTW43RE	2.50	0.88	0.69	L723	YNA43RT15H	L724	
Starling	715.5	26	7	YTW451RT48REK	YTW451RT	25.41	3.25	0.50	L725	YTW48RE	2.69	1.25	0.75	L726	YNA451RT15H	L725	
Cuckoo	795	24	7	YTW451RT45REK	YTW451RT	25.41	3.25	0.50	L725	YTW45RE	2.69	1.25	0.75	L726	YNA451RT15H	L725	
Drake	795	26	7	YTW451RT48REK	YTW451RT	25.41	3.25	0.50	L725	YTW48RE	2.69	1.25	0.75	L726	YNA451RT15H	L725	
Tern	795	45	7	YTW451RT481REK	YTW451RT	25.41	3.25	0.50	L725	YTW481RE	2.69	1.25	0.75	L726	YNA451RT15H	L725	
Condor	795	54	7	YTW451RT45REK	YTW451RT	25.41	3.25	0.50	L725	YTW45RE	2.69	1.25	0.75	L726	YNA451RT15H	L725	
Ruddy	900	45	7	YTW48RT481REK	YTW48RT	25.50	3.25	0.50	L727	YTW481RE	2.69	1.25	0.75	L726	YNA49RT15H	L727	
Rail	954	45	7	YTW48RT481REK	YTW48RT	25.50	3.25	0.50	L727	YTW481RE	2.69	1.25	0.75	L726	YNA49RT15H	L727	
Cardinal	954	54	7	YTW48RT48REK	YTW48RT	25.50	3.25	0.50	L727	YTW48RE	2.69	1.25	0.75	L726	YNA49RT15H	L727	
Ortolan	1033.5	45	7	YTW49RT483REK	YTW49RT	27.35	3.25	0.50	L727	YTW483RE	2.69	1.25	1.00	L726	YNA49RT15H	L727	
Curlew	1033.5	54	7	YTW49RT50REK	YTW49RT	27.35	3.25	0.50	L727	YTW50RE	2.69	1.25	1.00	L726	YNA49RT15H	L727	
Bluejay	1113	45	7	YTW49RT483REK	YTW49RT	27.35	3.25	0.50	L727	YTW483RE	2.69	1.25	1.00	L726	YNA49RT15H	L727	
Finch	1113	54	19	YTW52RT50REK	YTW52RT	31.55	4.00	0.62	L728	YTW50RE	2.69	1.25	1.00	L726	YNA52RT15H	L728	
Bunting	1192.5	45	7	YTW52RT521REK	YTW52RT	31.55	4.00	0.62	L728	YTW521RE	2.69	1.25	1.00	L726	YNA52RT15H	L728	
Bittern	1272	45	7	YTW52RT521REK	YTW52RT	31.55	4.00	0.62	L728	YTW521RE	2.69	1.25	1.00	L726	YNA52RT15H	L728	
Pheasant	1272	54	19	YTW52RT56REK	YTW52RT	31.55	4.00	0.62	L728	YTW56RE	2.69	1.25	1.00	L726	YNA52RT15H	L728	
Dipper	1351.5	45	7	YTW52RT521REK	YTW52RT	31.55	4.00	0.62	L728	YTW521RE	2.69	1.25	1.00	L726	YNA52RT15H	L728	
Martin	1351.5	54	19	YTW52RT56REK	YTW52RT	31.55	4.00	0.62	L728	YTW56RE	2.69	1.25	1.00	L726	YNA52RT15H	L728	
Nuthatch	1510.5	45	7	YTW549RT521REK	YTW549RT	31.55	4.00	0.62	L729	YTW521RE	2.69	1.25	1.00	L726	YNA56RT15H	L729	
Parrot	1510.5	54	19	YTW549RT56REK	YTW549RT	31.55	4.00	0.62	L729	YTW56RE	2.69	1.25	1.00	L726	YNA56RT15H	L729	
Lapwing	1590	45	7	YTW549RT549REK	YTW549RT	31.55	4.00	0.62	L729	YTW549RE	2.69	1.25	1.00	L726	YNA56RT15H	L729	
Falcon	1590	54	19	YTW56RT590REK	YTW56RT	31.99	4.00	0.62	L729	YTW590RE	2.69	1.25	1.00	L726	YNA56RT15H	L729	
Chukar	1780	84	19	YTW58RT58REK	YTW58RT	32.99	4.00	0.62	L735	YTW58RE	2.69	1.25	1.00	L726	YNA58RT15H	L735	
Bluebird	2156	84	19	YTW59RT59REK	YTW59RT	33.34	4.00	0.62	L735	YTW59RE	2.69	1.25	1.00	L726	YNA59RT15H	L735	
Kiwi	2167	72	7	YTW59RT591REK	YTW59RT	33.34	4.00	0.62	L735	YTW591RE	2.69	1.25	1.00	L726	YNA59RT15H	L735	

Complete Assembly: Includes Aluminum body, Steel eye, 15 degree terminal and aluminum hardware. For stainless steel hardware add SS to end of catalog number for complete assembly (example: YTW32RD34REKSS) or to terminal (YNA32R15HSS) if ordered separately.

For assembly without terminal and hardware add NT to end of complete assembly catalog number (example: YTW32RD34REKNT). Two hole NEMA pads standard on conductors up to 556.5 kcmil; Four hole NEMA pads on larger conductor sizes.

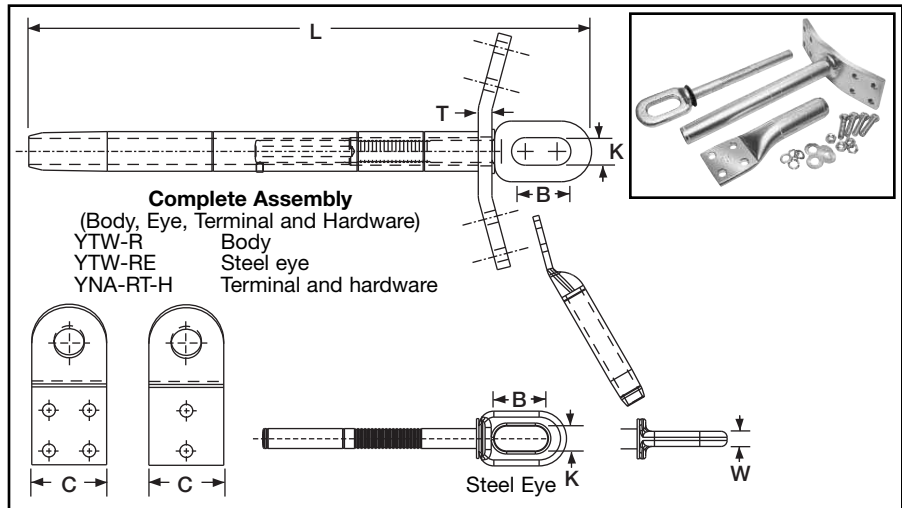
* Overlap crimps.
‡ Wide dies may be used, add suffix "W" to part number (example: L725W).

Blue highlighted items are industry standard and most frequently ordered.

TYPES YTW-RDT-REK, YTW-RDT, YTW-RE, YNA-RT-H EHV

Double Pad, EHV Full Tension Deadend for ACSR

Full tension compression deadend for ACSR transmission lines at 345 kV and over. Standard 15° NEMA tap pad provides either 0° or 30° tap when YNA-R15 terminal is used.



Conductor Name	ACSR		Double Pad		Inches			Body Die*‡	Steel Eye*	Inches			Eye Die	Terminal with Hardware	Term Die*‡	
	Size kcmil	Stranding Alum	Stranding Steel	Complete Assembly	Alum. Body	L	C			T	B	K				W
Linnet	336.4	26	7	YTW32RDT34REK	YTW32RDT	17.53	2.25	0.50	L717	YTW34RE	2.50	0.88	0.62	L718	YNA32RT15H	L717
Oriole	336.4	30	7	YTW32RDT33REK	YTW32RDT	17.53	2.25	0.50	L717	YTW33RE	2.50	0.88	0.62	L718	YNA32RT15H	L717
Ibis	397.5	26	7	YTW34RDT34REK	YTW34RDT	17.60	2.25	0.50	L719	YTW34RE	2.50	0.88	0.62	L718	YNA34RT15H	L719
Flicker	477	24	7	YTW36RDT362REK	YTW36RDT	15.44	2.25	0.50	L720	YTW362RE	2.50	0.88	0.62	L721	YNA36RT15H	L720
Hawk	477	26	7	YTW36RDT36REK	YTW36RDT	19.41	2.25	0.50	L720	YTW36RE	2.50	0.88	0.62	L721	YNA36RT15H	L720
Parakeet	556.5	24	7	YTW39RDT43REK	YTW39RDT	19.66	2.25	0.50	L722	YTW43RE	2.50	0.88	0.69	L723	YNA39RT15H	L722
Dove	556.5	26	7	YTW39RDT43REK	YTW39RDT	19.66	2.25	0.50	L722	YTW43RE	2.50	0.88	0.69	L723	YNA39RT15H	L722
Peacock	605	24	7	YTW43RDT43REK	YTW43RDT	20.49	3.25	0.50	L724	YTW43RE	2.50	0.88	0.69	L723	YNA43RT15H	L724
Squab	605	26	7	YTW43RDT43REK	YTW43RDT	20.49	3.25	0.50	L724	YTW43RE	2.50	0.88	0.69	L723	YNA43RT15H	L724
Rook	636	24	7	YTW43RDT43REK	YTW43RDT	20.49	3.25	0.50	L724	YTW43RE	2.50	0.88	0.69	L723	YNA43RT15H	L724
Grosbeak	636	26	7	YTW43RDT43REK	YTW43RDT	20.49	3.25	0.50	L724	YTW43RE	2.50	0.88	0.69	L723	YNA43RT15H	L724
Flamingo	666.6	24	7	YTW43RDT43REK	YTW43RDT	20.49	3.25	0.50	L724	YTW43RE	2.50	0.88	0.69	L723	YNA43RT15H	L724
Starling	715.5	26	7	YTW451RDT48REK	YTW451RDT	25.41	3.25	0.50	L725	YTW48RE	2.69	1.25	0.75	L726	YNA451RT15H	L725
Cuckoo	795	24	7	YTW451RDT45REK	YTW451RDT	25.41	3.25	0.50	L725	YTW45RE	2.69	1.25	0.75	L726	YNA451RT15H	L725
Drake	795	26	7	YTW451RDT48REK	YTW451RDT	25.41	3.25	0.50	L725	YTW48RE	2.69	1.25	0.75	L726	YNA451RT15H	L725
Tern	795	45	7	YTW451RDT481REK	YTW451RDT	25.41	3.25	0.50	L725	YTW481RE	2.69	1.25	0.75	L726	YNA451RT15H	L725
Condor	795	54	7	YTW451RDT45REK	YTW451RDT	25.41	3.25	0.50	L725	YTW45RE	2.69	1.25	0.75	L726	YNA451RT15H	L725
Ruddy	900	45	7	YTW48RDT481REK	YTW48RDT	25.50	3.25	0.50	L727	YTW481RE	2.69	1.25	0.75	L726	YNA48RT15H	L727
Rail	954	45	7	YTW48RDT481RE	YTW48RDT	25.50	3.25	0.50	L727	YTW481RE	2.69	1.25	0.75	L726	YNA49RT15H	L727
Cardinal	954	54	7	YTW48RDT48REK	YTW48RDT	25.50	3.25	0.50	L727	YTW48RE	2.69	1.25	0.75	L726	YNA49RT15H	L727
Ortolan	1033.5	45	7	YTW49RDT483REK	YTW49RDT	27.35	3.25	0.50	L727	YTW483RE	2.69	1.25	1.00	L726	YNA49RT15H	L727
Curlew	1033.5	54	7	YTW49RDT50REK	YTW49RDT	27.35	3.25	0.50	L727	YTW50RE	2.69	1.25	1.00	L726	YNA49RT15H	L727
Bluejay	1113	45	7	YTW49RDT483REK	YTW49RDT	27.35	3.25	0.50	L727	YTW483RE	2.69	1.25	1.00	L726	YNA49RT15H	L727
Finch	1113	54	19	YTW52RDT50REK	YTW52RDT	31.55	4.00	0.62	L728	YTW50RE	2.69	1.25	1.00	L726	YNA52RT15H	L728
Bunting	1192.5	45	7	YTW52RDT521REK	YTW52RDT	31.55	4.00	0.62	L728	YTW521RE	2.69	1.25	1.00	L726	YNA52RT15H	L728
Bittern	1272	45	7	YTW52RDT521REK	YTW52RDT	31.55	4.00	0.62	L728	YTW521RE	2.69	1.25	1.00	L726	YNA52RT15H	L728
Pheasant	1272	54	19	YTW52RDT56REK	YTW52RDT	31.55	4.00	0.62	L728	YTW56RE	2.69	1.25	1.00	L726	YNA52RT15H	L728
Dipper	1351.5	45	7	YTW52RDT521REK	YTW52RDT	31.55	4.00	0.62	L728	YTW521RE	2.69	1.25	1.00	L726	YNA52RT15H	L728
Martin	1351.5	54	19	YTW52RDT56REK	YTW52RDT	31.55	4.00	0.62	L728	YTW56RE	2.69	1.25	1.00	L726	YNA52RT15H	L728
Nuthatch	1510.5	45	7	YTW549RDT521REK	YTW549RDT	31.55	4.00	0.62	L729	YTW521RE	2.69	1.25	1.00	L726	YNA56RT15H	L729
Parrot	1510.5	54	19	YTW549RDT56REK	YTW549RDT	31.55	4.00	0.62	L729	YTW56RE	2.69	1.25	1.00	L726	YNA56RT15H	L729
Lapwing	1590	45	7	YTW549RDT549REK	YTW549RDT	31.55	4.00	0.62	L729	YTW549RE	2.69	1.25	1.00	L726	YNA56RT15H	L729
Falcon	1590	54	19	YTW56RDT590REK	YTW56RDT	31.99	4.00	0.62	L729	YTW590RE	2.69	1.25	1.00	L726	YNA56RT15H	L729
Chukar	1780	84	19	YTW58RDT58REK	YTW58RDT	32.99	4.00	0.62	L735	YTW58RE	2.69	1.25	1.00	L726	YNA58RT15H	L735
Bluebird	2156	84	19	YTW59RDT59REK	YTW59RDT	33.34	4.00	0.62	L735	YTW59RE	2.69	1.25	1.00	L726	YNA59RT15H	L735
Kiwi	2167	72	7	YTW59RDT591REK	YTW59RDT	33.34	4.00	0.62	L735	YTW591RE	2.69	1.25	1.00	L726	YNA59RT15H	L735

Complete Assembly: Includes Aluminum body, Steel eye, 15 degree terminal and aluminum hardware. For stainless steel hardware add SS to end of catalog number for complete assembly (example: YTW32RD34REKSS) or to terminal (YNA32R15HSS) if ordered separately.

For assembly without terminal and hardware add NT to end of complete assembly catalog number (example: YTW32RD34REKNT). Two hole NEMA pads standard on conductors up to 556.5 kcmil; Four hole NEMA pads on larger conductor sizes.

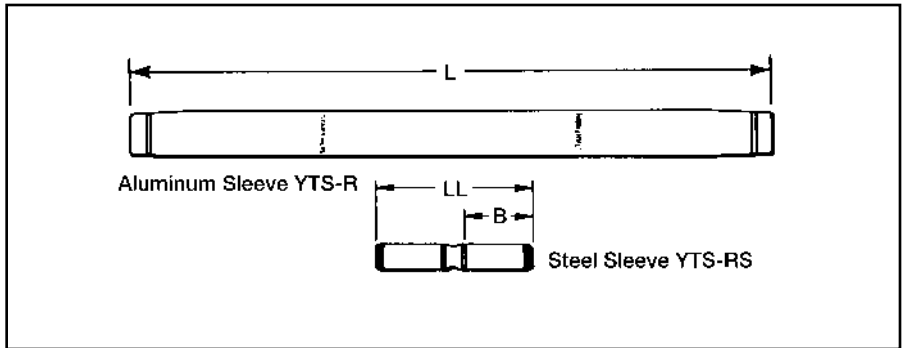
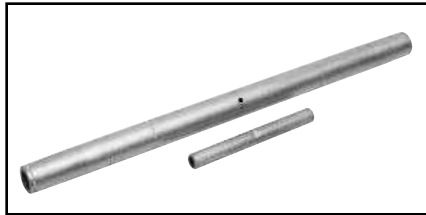
* Overlap crimps.
‡ Wide dies may be used, add suffix "W" to part number (example: L725W).

Blue highlighted items are industry standard and most frequently ordered.

TYPE YTS-R-RS

Full Tension Splice Kit for ACSR Conductor

Full tension, two-piece, compression splice for ACSR transmission lines up to and including 230 kV. Outer aluminum sleeve has filler hole and plug for PENETROX™ joint compound. Kit includes the outer aluminum and inner steel sleeve.



Conductor Name	ACSR		Splice Kit	Aluminum Sleeve			Steel Sleeve			
	Size kcmil	Stranding		Inches		Die*‡	Inches		Die*	
		Alum.		Steel	L		O.D.	LL		B
Linnet	336.4	26	7	YTS32R34RS	17.30	1.19	L717	5.75	2.64	L718
Oriole	336.4	30	7	YTS32R33RS	17.30	1.19	L717	5.75	2.64	L718
Ibis	397.5	26	7	YTS34R34RS	17.20	1.28	L719	5.75	2.64	L718
Flicker	477	24	7	YTS36R362RS	18.16	1.41	L720	5.75	2.66	L721
Hawk	477	26	7	YTS36R36RS	18.16	1.41	L720	5.75	2.66	L721
Parakeet	556.5	24	7	YTS39R43RS	19.88	1.50	L722	5.90	2.66	L723
Dove	556.5	26	7	YTS39R43RS	19.88	1.50	L722	5.90	2.66	L723
Peacock	605	24	7	YTS43R43RS	21.44	1.61	L724	5.90	2.66	L723
Squab	605	26	7	YTS43R43RS	21.44	1.61	L724	5.90	2.66	L723
Rook	636	24	7	YTS43R43RS	21.44	1.61	L724	5.90	2.66	L723
Grosbeak	636	26	7	YTS43R43RS	21.44	1.61	L724	5.90	2.66	L723
Flamingo	666.6	24	7	YTS43R43RS	21.44	1.61	L724	5.90	2.66	L723
Starling	715.5	26	7	YTS451R48RS	28.00	1.80	L725	9.00	4.19	L726
Cuckoo	795	24	7	YTS451R449RS	28.00	1.80	L725	9.00	4.19	L726
Drake	795	26	7	YTS451R48RS	28.00	1.80	L725	9.00	4.19	L726
Tern	795	45	7	YTS451R48RS	28.00	1.80	L725	9.16	4.19	L726
Condor	795	54	7	YTS451R449RS	28.00	1.80	L725	9.00	4.19	L726
Rail	954	45	7	YTS48R481RS	28.00	1.97	L727	9.16	4.19	L726
Cardinal	954	54	7	YTS48R48RS	28.00	1.97	L727	9.00	4.19	L726
Ortolan	1033.5	45	7	YTS49R483RS	28.00	1.97	L727	9.16	4.19	L726
Curlew	1033.5	54	7	YTS49R48RS	28.00	1.97	L727	9.00	4.19	L726
Bluejay	1113	45	7	YTS49R483RS	28.00	1.97	L727	9.16	4.19	L726
Finch	1113	54	19	YTS52R48RS	41.07	2.25	L728	9.00	4.19	L726
Bunting	1192.5	45	7	YTS52R521RS	41.07	2.25	L728	9.00	4.19	L726
Bittern	1272	45	7	YTS52R521RS	41.07	2.25	L728	9.00	4.19	L726
Pheasant	1272	54	19	YTS52R59RS	41.07	2.25	L728	9.10	4.25	L726
Dipper	1351.5	45	7	YTS52R521RS	41.07	2.25	L728	9.00	4.19	L726
Martin	1351.5	54	19	YTS52R59RS	41.07	2.25	L728	9.10	4.25	L726
Nuthatch	1510.5	45	7	YTS49R521RS	31.73	2.50	L729	9.00	4.19	L726
Parrot	1510.5	54	19	YTS49R59RS	31.73	2.50	L729	9.10	4.25	L726
Lapwing	1590	45	7	YTS49R549RS	31.73	2.50	L729	9.00	4.19	L726
Falcon	1590	54	19	YTS56R59RS	31.73	2.50	L729	9.10	4.25	L726
Chukar	1780	84	19	YTS58R48RS	34.20	2.50	L735	9.00	4.19	L726
Bluebird	2156	84	19	YTS59R59RS	41.93	2.50	L735	9.10	4.25	L726
Kiwi	2167	72	7	YTS59R521RS	41.93	2.50	L735	9.00	4.19	L726

Splice Kit: Includes aluminum sleeve and steel sleeve.

* Overlap crimps.

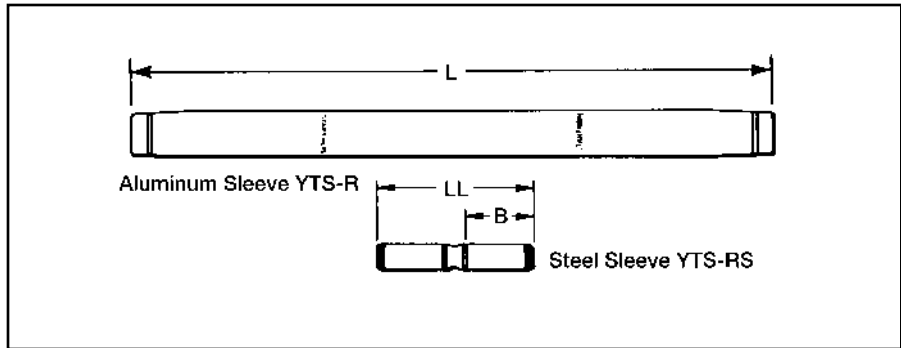
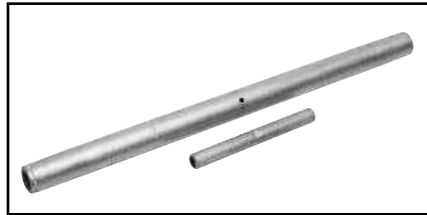
‡ Wide dies may be used, add suffix "W" to part number (example: L725W).

Blue highlighted items are industry standard and most frequently ordered.

TYPE YTS-RT-RS EHV

Full Tension Splice Kit for ACSR Conductor

Full tension, two-piece, compression splice for ACSR transmission lines at 345 kV and over. Outer aluminum sleeve has filler hole and plug for PENETROX™ joint compound. Kit includes the outer aluminum and inner steel sleeve.



I-8

Conductor Name	ACSR			Splice Kit	Aluminum Sleeve			Steel Sleeve		
	Size kcmil	Stranding			Inches		Die*‡	Inches		Die*
		Alum.	Steel		L	O.D.		LL	B	
Linnet	336.4	26	7	YTS32RT34RS	17.30	1.19	L717	5.75	2.64	L718
Oriole	336.4	30	7	YTS32RT33RS	17.30	1.19	L717	5.75	2.64	L718
Ibis	397.5	26	7	YTS34RT34RS	17.20	1.28	L719	5.75	2.64	L718
Flicker	477	24	7	YTS36RT362RS	18.16	1.41	L720	5.75	2.66	L721
Hawk	477	26	7	YTS36RT36RS	18.16	1.41	L720	5.75	2.66	L721
Parakeet	556.5	24	7	YTS39RT43RS	19.88	1.50	L722	5.90	2.66	L723
Dove	556.5	26	7	YTS39RT43RS	19.88	1.50	L722	5.90	2.66	L723
Peacock	605	24	7	YTS43RT43RS	21.44	1.61	L724	5.90	2.66	L723
Squab	605	26	7	YTS43RT43RS	21.44	1.61	L724	5.90	2.66	L723
Rook	636	24	7	YTS43RT43RS	21.44	1.61	L724	5.90	2.66	L723
Grosbeak	636	26	7	YTS43RT43RS	21.44	1.61	L724	5.90	2.66	L723
Flamingo	666.6	24	7	YTS43RT43RS	21.44	1.61	L724	5.90	2.66	L723
Starling	715.5	26	7	YTS451RT48RS	28.00	1.80	L725	9.00	4.19	L726
Cuckoo	795	24	7	YTS451RT449RS	28.00	1.80	L725	9.00	4.19	L726
Drake	795	26	7	YTS451RT48RS	28.00	1.80	L725	9.00	4.19	L726
Tern	795	45	7	YTS451RT48RS	28.00	1.80	L725	9.16	4.19	L726
Condor	795	54	7	YTS451RT449RS	28.00	1.80	L725	9.00	4.19	L726
Rail	954	45	7	YTS48RT481RS	28.00	1.97	L727	9.16	4.19	L726
Cardinal	954	54	7	YTS48RT48RS	28.00	1.97	L727	9.00	4.19	L726
Ortolan	1033.5	45	7	YTS49RT483RS	28.00	1.97	L727	9.16	4.19	L726
Curlew	1033.5	54	7	YTS49RT48RS	28.00	1.97	L727	9.00	4.19	L726
Bluejay	1113	45	7	YTS49RT483RS	28.00	1.97	L727	9.16	4.19	L726
Finch	1113	54	19	YTS52RT48RS	41.07	2.25	L728	9.00	4.19	L726
Bunting	1192.5	45	7	YTS52RT521RS	41.07	2.25	L728	9.00	4.19	L726
Bittern	1272	45	7	YTS52RT521RS	41.07	2.25	L728	9.00	4.19	L726
Pheasant	1272	54	19	YTS52RT59RS	41.07	2.25	L728	9.10	4.25	L726
Dipper	1351.5	45	7	YTS52RT521RS	41.07	2.25	L728	9.00	4.19	L726
Martin	1351.5	54	19	YTS52RT59RS	41.07	2.25	L728	9.10	4.25	L726
Nuthatch	1510.5	45	7	YTS549RT521RS	31.73	2.50	L729	9.00	4.19	L726
Parrot	1510.5	54	19	YTS549RT59RS	31.73	2.50	L729	9.10	4.25	L726
Lapwing	1590	45	7	YTS549RT549RS	31.73	2.50	L729	9.00	4.19	L726
Falcon	1590	54	19	YTS56RT59RS	31.73	2.50	L729	9.10	4.25	L726
Chukar	1780	84	19	YTS58RT48RS	34.20	2.50	L735	9.00	4.19	L726
Bluebird	2156	84	19	YTS59RT59RS	41.93	2.50	L735	9.10	4.25	L726
Kiwi	2167	72	7	YTS59RT521RS	41.93	2.50	L735	9.00	4.19	L726

Splice Kit: Includes aluminum sleeve and steel sleeve.

* Overlap crimps.

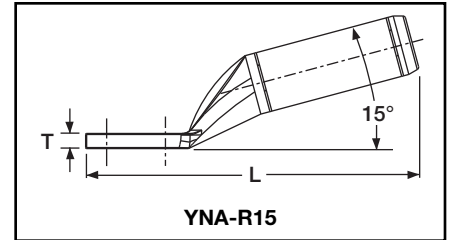
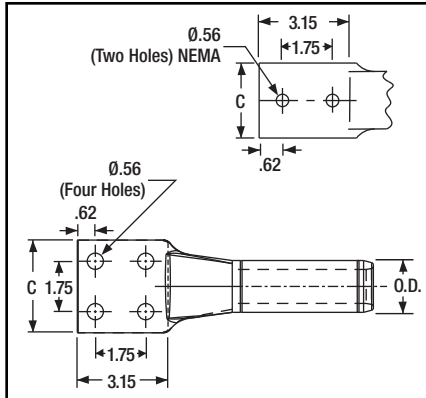
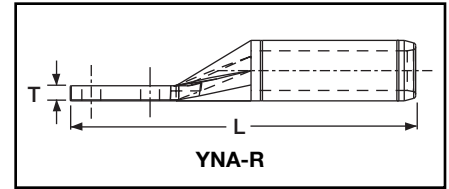
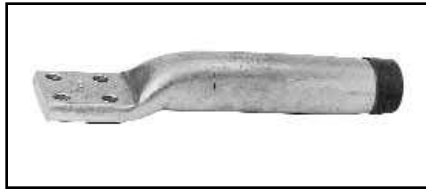
‡ Wide dies may be used, add suffix "W" to part number (example: L725W).

Blue highlighted items are industry standard and most frequently ordered.

**TYPES YNA-R15,
YNA-R**

**Compression Terminal
for ACSR Conductor**

Compression terminal for ACSR transmission lines up to and including 230 kV. Two hole NEMA tongue through 556.5 kcmil and four hole on larger sizes. Includes PENETROX™ joint compound in barrel and oxide retardant on pad.



Conductor Name	ACSR		15° Terminal		Straight Terminal		Inches		Die*‡	
	Size kcmil	Stranding		Catalog Number	Inches L	Catalog Number	Inches L	C †		T
		Alum.	Steel							
Linnnet	336.4	26	7	YNA32R15	9.16	YNA32R	8.96	1.68	0.39	L717
Oriole	336.4	30	7	YNA32R15	9.16	YNA32R	8.96	1.68	0.39	L717
Ibis	397.5	26	7	YNA34R15	9.31	YNA34R	9.08	1.78	0.46	L719
Flicker	477	24	7	YNA36R15	9.62	YNA36R	9.47	1.96	0.48	L720
Hawk	477	26	7	YNA36R15	9.62	YNA36R	9.47	1.96	0.48	L720
Parakeet	556.5	24	7	YNA39R15	10.09	YNA39R	9.84	2.08	0.53	L722
Dove	556.5	26	7	YNA39R15	10.09	YNA39R	9.84	2.08	0.53	L722
Peacock	605	24	7	YNA43R15	10.16	YNA43R	10.07	3.22	0.36	L724
Squab	605	26	7	YNA43R15	10.16	YNA43R	10.07	3.22	0.36	L724
Rook	636	24	7	YNA43R15	10.16	YNA43R	10.07	3.22	0.36	L724
Grosbeak	636	26	7	YNA43R15	10.16	YNA43R	10.07	3.22	0.36	L724
Flamingo	666.6	24	7	YNA43R15	10.16	YNA43R	10.07	3.22	0.36	L724
Starling	715.5	26	7	YNA451R15	10.21	YNA451R	10.28	3.22	0.45	L725
Cuckoo	795	24	7	YNA451R15	10.21	YNA451R	10.28	3.22	0.45	L725
Drake	795	26	7	YNA451R15	10.21	YNA451R	10.28	3.22	0.45	L725
Tern	795	45	7	YNA451R15	10.21	YNA451R	10.28	3.22	0.45	L725
Condor	795	54	7	YNA451R15	10.21	YNA451R	10.28	3.22	0.45	L725
Ruddy	900	45	7	YNA49R15	10.35	YNA49R	10.46	3.22	0.52	L727
Rail	954	45	7	YNA49R15	10.35	YNA49R	10.46	3.22	0.52	L727
Cardinal	954	54	7	YNA49R15	10.35	YNA49R	10.46	3.22	0.52	L727
Ortolan	1033.5	45	7	YNA49R15	10.35	YNA49R	10.46	3.22	0.52	L727
Curlew	1033.5	54	7	YNA49R15	10.35	YNA49R	10.46	3.22	0.52	L727
Bluejay	1113	45	7	YNA49R15	10.35	YNA49R	10.46	3.22	0.52	L727
Finch	1113	54	19	YNA52R15	12.09	YNA52R	12.24	3.22	0.71	L728
Bunting	1192.5	45	7	YNA52R15	12.09	YNA52R	12.24	3.22	0.71	L728
Bittern	1272	45	7	YNA52R15	12.09	YNA52R	12.24	3.22	0.71	L728
Pheasant	1272	54	19	YNA52R15	12.09	YNA52R	12.24	3.22	0.71	L728
Dipper	1351.5	45	7	YNA52R15	12.09	YNA52R	12.24	3.22	0.71	L728
Martin	1351.5	54	19	YNA52R15	12.09	YNA52R	12.24	3.22	0.71	L728
Nuthatch	1510.5	45	7	YNA56R15	12.50	YNA56R	12.74	3.44	0.86	L729
Parrot	1510.5	54	19	YNA56R15	12.50	YNA56R	12.74	3.44	0.86	L729
Lapwing	1590	45	7	YNA56R15	12.50	YNA56R	12.74	3.44	0.86	L729
Falcon	1590	54	19	YNA56R15	12.50	YNA56R	12.74	3.44	0.86	L729
Chukar	1780	84	19	YNA58R15	13.25	YNA58R	13.34	3.47	0.86	L735
Bluebird	2156	84	19	YNA59R15	13.12	YNA59R	13.25	3.57	0.64	L735
Kiwi	2167	72	7	YNA59R15	13.12	YNA59R	13.25	3.57	0.64	L735

† Two hole NEMA pads standard for conductors up to 556.5 kcmil; Four hole NEMA pads on larger conductor sizes.

To specify hardware for bolting to corresponding deadends add the suffix H to the catalog number (example: YNA52RH).

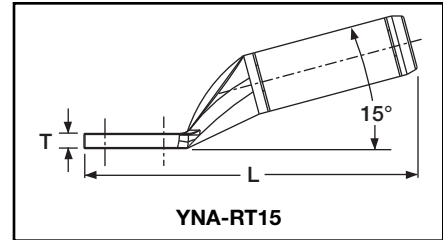
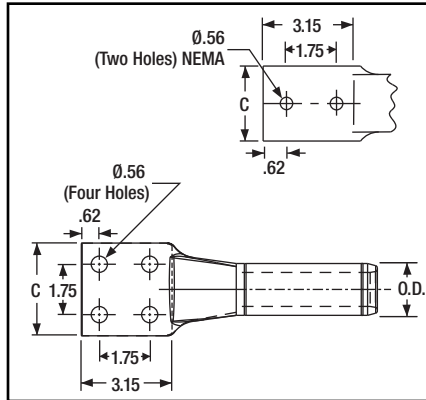
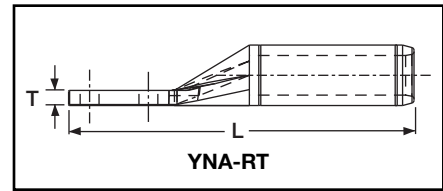
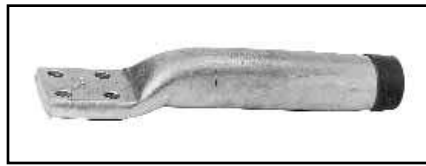
* Overlap crimps.

‡ Wide dies may be used, add suffix "W" to part number (example: L725W).

TYPES YNA-RT15, YNA-RT EHV

Compression Terminal for ACSR Conductor

Compression terminal for ACSR transmission lines at 345 kV and over. Two hole NEMA tongue supplied through 636 kcmil and four hole on larger sizes. Includes PENETROX™ joint compound in barrel and oxide retardant on pad.



I-10

Conductor Name	ACSR		15° Terminal		Straight Terminal		Inches		Die*‡	
	Size kcmil	Stranding		Catalog Number	Inches L	Catalog Number	Inches L	C †		T
		Alum.	Steel							
Linnet	336.4	26	7	YNA32RT15	9.16	YNA32RT	8.96	1.68	0.39	L717
Oriole	336.4	30	7	YNA32RT15	9.16	YNA32RT	8.96	1.68	0.39	L717
Ibis	397.5	26	7	YNA34RT15	9.31	YNA34RT	9.08	1.78	0.46	L719
Flicker	477	24	7	YNA36RT15	9.62	YNA36RT	9.47	1.96	0.48	L720
Hawk	477	26	7	YNA36RT15	9.62	YNA36RT	9.47	1.96	0.48	L720
Parakeet	556.5	24	7	YNA39RT15	10.09	YNA39RT	9.84	2.08	0.53	L722
Dove	556.5	26	7	YNA39RT15	10.09	YNA39RT	9.84	2.08	0.53	L722
Peacock	605	24	7	YNA43RT15	10.16	YNA43RT	10.07	3.22	0.36	L724
Squab	605	26	7	YNA43RT15	10.16	YNA43RT	10.07	3.22	0.36	L724
Rook	636	24	7	YNA43RT15	10.16	YNA43RT	10.07	3.22	0.36	L724
Grosbeak	636	26	7	YNA43RT15	10.16	YNA43RT	10.07	3.22	0.36	L724
Flamingo	666.6	24	7	YNA43RT15	10.16	YNA43RT	10.07	3.22	0.36	L724
Starling	715.5	26	7	YNA451RT15	10.65	YNA451RT	10.57	3.22	0.45	L725
Cuckoo	795	24	7	YNA451RT15	10.65	YNA451RT	10.57	3.22	0.45	L725
Drake	795	26	7	YNA451RT15	10.65	YNA451RT	10.57	3.22	0.45	L725
Tern	795	45	7	YNA451RT15	10.65	YNA451RT	10.57	3.22	0.45	L725
Condor	795	54	7	YNA451RT15	10.65	YNA451RT	10.57	3.22	0.45	L725
Ruddy	900	45	7	YNA49RT15	10.94	YNA49RT	10.77	3.22	0.52	L727
Rail	954	45	7	YNA49RT15	10.94	YNA49RT	10.77	3.22	0.52	L727
Cardinal	954	54	7	YNA49RT15	10.94	YNA49RT	10.77	3.22	0.52	L727
Ortolan	1033.5	45	7	YNA49RT15	10.94	YNA49RT	10.77	3.22	0.52	L727
Curlew	1033.5	54	7	YNA49RT15	10.94	YNA49RT	10.77	3.22	0.52	L727
Bluejay	1113	45	7	YNA49RT15	10.94	YNA49RT	10.77	3.22	0.52	L727
Finch	1113	54	19	YNA52RT15	12.62	YNA52RT	13.82	3.22	0.71	L728
Bunting	1192.5	45	7	YNA52RT15	12.62	YNA52RT	13.82	3.22	0.71	L728
Bittern	1272	45	7	YNA52RT15	12.62	YNA52RT	13.82	3.22	0.71	L728
Pheasant	1272	54	19	YNA52RT15	12.62	YNA52RT	13.82	3.22	0.71	L728
Dipper	1351.5	45	7	YNA52RT15	12.62	YNA52RT	13.82	3.22	0.71	L728
Martin	1351.5	54	19	YNA52RT15	12.62	YNA52RT	13.82	3.22	0.71	L728
Nuthatch	1510.5	45	7	YNA56RT15	13.36	YNA56RT	13.76	3.44	0.86	L729
Parrot	1510.5	54	19	YNA56RT15	13.36	YNA56RT	13.76	3.44	0.86	L729
Lapwing	1590	45	7	YNA56RT15	13.36	YNA56RT	13.76	3.44	0.86	L729
Falcon	1590	54	19	YNA56RT15	13.36	YNA56RT	13.76	3.44	0.86	L729
Chukar	1780	84	19	YNA58RT15	13.81	YNA58RT	13.76	3.47	0.86	L735
Bluebird	2156	84	19	YNA59RT15	13.75	YNA59RT	14.06	3.57	0.64	L735
Kiwi	2167	72	7	YNA59RT15	13.75	YNA59RT	14.06	3.57	0.64	L735

† Two hole NEMA pads standard for conductors up to 556.5 kcmil; Four hole NEMA pads on larger conductor sizes. Shielding cap STS43A-4N required for EHV applications (two caps required).

To specify hardware for bolting to corresponding deadends add the suffix H to catalog number (example: YNA52RTH). * Overlap crimps.

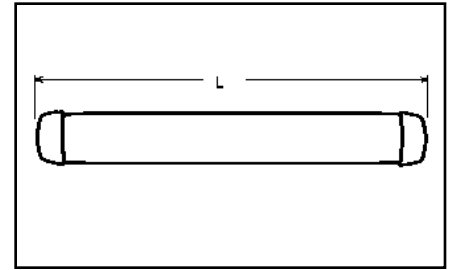
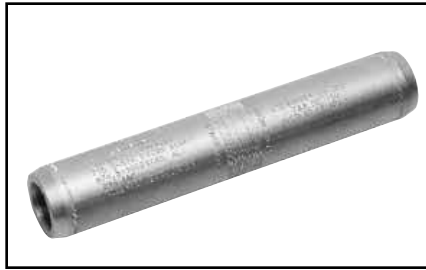
‡ Wide dies may be used, add suffix "W" to part number (example: L725W).

Blue highlighted items are industry standard and most frequently ordered.

TYPE YNS-R

**Jumper Loop Sleeve
for ACSR Conductor**

Jumper sleeve for ACSR transmission lines up to and including 230 kV. Sleeve is pre-filled with PENETROX™ joint compound and capped.



Conductor Name	Size kcmil	Stranding		Catalog Number	Inches		Die*‡
		Alum.	Steel		L	O.D.	
Linnet	336.4	26	7	YNS32R	8.60	1.19	L717
Oriole	336.4	30	7	YNS32R	8.60	1.19	L717
Ibis	397.5	26	7	YNS34R	8.68	1.30	L719
Flicker	477	24	7	YNS36R	9.20	1.41	L720
Hawk	477	26	7	YNS36R	9.20	1.41	L720
Parakeet	556.5	24	7	YNS39R	9.76	1.50	L722
Dove	556.5	26	7	YNS39R	9.76	1.50	L722
Peacock	605	24	7	YNS43R	9.98	1.61	L724
Squab	605	26	7	YNS43R	9.98	1.61	L724
Rook	636	24	7	YNS43R	9.98	1.61	L724
Grosbeak	636	26	7	YNS43R	9.98	1.61	L724
Flamingo	666.6	24	7	YNS43R	9.98	1.61	L724
Starling	715.5	26	7	YNS451R	10.00	1.80	L725
Cuckoo	795	24	7	YNS451R	10.00	1.80	L725
Drake	795	26	7	YNS451R	10.00	1.80	L725
Tern	795	45	7	YNS451R	10.00	1.80	L725
Condor	795	54	7	YNS451R	10.00	1.80	L725
Ruddy	900	45	7	YNS49R	10.00	1.97	L727
Rail	954	45	7	YNS49R	10.00	1.97	L727
Cardinal	954	54	7	YNS49R	10.00	1.97	L727
Ortolan	1033.5	45	7	YNS49R	10.00	1.97	L727
Curlew	1033.5	54	7	YNS49R	10.00	1.97	L727
Bluejay	1113	45	7	YNS49R	10.00	1.97	L727
Finch	1113	54	19	YNS52R	15.48	2.25	L728
Bunting	1192.5	45	7	YNS52R	15.48	2.25	L728
Bittern	1272	45	7	YNS52R	15.48	2.25	L728
Pheasant	1272	54	19	YNS52R	15.48	2.25	L728
Dipper	1351.5	45	7	YNS52R	15.48	2.25	L728
Martin	1351.5	54	19	YNS52R	15.48	2.25	L728
Nuthatch	1510.5	45	7	YNS56R	14.80	2.50	L729
Parrot	1510.5	54	19	YNS56R	14.80	2.50	L729
Lapwing	1590	45	7	YNS56R	14.80	2.50	L729
Falcon	1590	54	19	YNS56R	14.80	2.50	L729
Chukar	1780	84	19	YNS58R	14.74	2.50	L735
Bluebird	2156	84	19	YNS59R	14.56	2.50	L735
Kiwi	2167	72	7	YNS59R	14.56	2.50	L735

* Overlap crimps
‡ Wide dies may be used, add suffix "W" to part number (example: L725W).

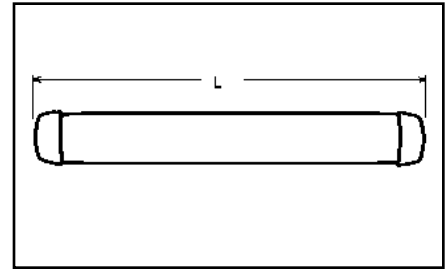
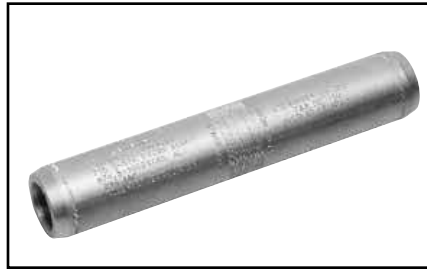
I-11

Blue highlighted items are industry standard and most frequently ordered.

TYPE YNS-RT EHV

Jumper Loop Sleeve for ACSR Conductor

Jumper sleeve for ACSR transmission lines over 230 kV. Sleeve is pre-filled with PENE-TROX™ joint compound and capped.



I-12

Conductor Name	ACSR		Jumper Sleeve	Inches		Die*‡	
	Size kcmil	Stranding		L	O.D.		
		Alum.	Steel				
Linnet	336.4	26	7	YNS32RT	8.96	1.19	L717
Oriole	336.4	30	7	YNS32RT	8.96	1.19	L717
Ibis	397.5	26	7	YNS34RT	9.10	1.30	L719
Flicker	477	24	7	YNS36RT	9.64	1.41	L720
Hawk	477	26	7	YNS36RT	9.64	1.41	L720
Parakeet	556.5	24	7	YNS39RT	10.26	1.50	L722
Dove	556.5	26	7	YNS39RT	10.26	1.50	L722
Peacock	605	24	7	YNS43RT	10.48	1.61	L724
Squab	605	26	7	YNS43RT	10.48	1.61	L724
Rook	636	24	7	YNS43RT	10.48	1.61	L724
Grosbeak	636	26	7	YNS43RT	10.48	1.61	L724
Flamingo	666.6	24	7	YNS43RT	10.48	1.61	L724
Starling	715.5	26	7	YNS451RT	10.60	1.80	L725
Cuckoo	795	24	7	YNS451RT	10.60	1.80	L725
Drake	795	26	7	YNS451RT	10.60	1.80	L725
Tern	795	45	7	YNS451RT	10.60	1.80	L725
Condor	795	54	7	YNS451RT	10.60	1.80	L725
Ruddy	900	45	7	YNS49RT	10.66	1.97	L727
Rail	954	45	7	YNS49RT	10.66	1.97	L727
Cardinal	954	54	7	YNS49RT	10.66	1.97	L727
Ortolan	1033.5	45	7	YNS49RT	10.66	1.97	L727
Curlew	1033.5	54	7	YNS49RT	10.66	1.97	L727
Bluejay	1113	45	7	YNS49RT	10.66	1.97	L727
Finch	1113	54	19	YNS52RT	16.20	2.25	L728
Bunting	1192.5	45	7	YNS52RT	16.20	2.25	L728
Bittern	1272	45	7	YNS52RT	16.20	2.25	L728
Pheasant	1272	54	19	YNS52RT	16.20	2.25	L728
Dipper	1351.5	45	7	YNS52RT	16.20	2.25	L728
Martin	1351.5	54	19	YNS52RT	16.20	2.25	L728
Nuthatch	1510.5	45	7	YNS56RT	15.58	2.50	L729
Parrot	1510.5	54	19	YNS56RT	15.58	2.50	L729
Lapwing	1590	45	7	YNS56RT	15.58	2.50	L729
Falcon	1590	54	19	YNS56RT	15.58	2.50	L729
Chukar	1780	84	19	YNS58RT	15.46	2.50	L735
Bluebird	2156	84	19	YNS59RT	15.14	2.50	L735
Kiwi	2167	72	7	YNS59RT	15.14	2.50	L735

* Overlap crimps

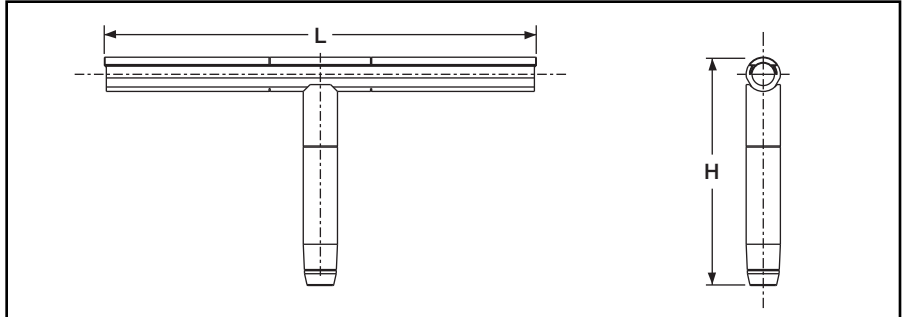
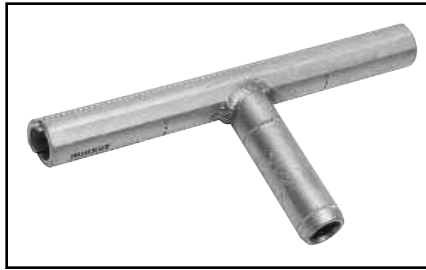
‡ Wide dies may be used, add suffix "W" to part number (example: L725W).

Blue highlighted items are industry standard and most frequently ordered.

TYPE YNT-R-R

**Compression T-Tap
for ACSR Conductor**

Two piece compression T-Tap for ACSR transmission lines that include up to 230 kV. Tap element is pre-filled with PENETROX™ joint compound and sealed.



Conductor Name	ACSR		Stranding		T-Tap*	Inches		Die**‡
	Size kcmil	Alum.	Steel	L		H		
Linnnet	336.4	26	7	YNT32R32R	15.46	6.39	L717	
Oriole	336.4	30	7	YNT32R32R	15.46	6.39	L717	
Ibis	397.5	26	7	YNT34R34R	15.60	6.53	L719	
Flicker	477	24	7	YNT36R36R	16.29	6.85	L720	
Hawk	477	26	7	YNT36R36R	16.29	6.85	L720	
Parakeet	556.5	24	7	YNT39R39R	16.69	7.13	L722	
Dove	556.5	26	7	YNT39R39R	16.69	7.13	L722	
Peacock	605	24	7	YNT43R43R	17.48	7.20	L724	
Squab	605	26	7	YNT43R43R	17.48	7.20	L724	
Rook	636	24	7	YNT43R43R	17.48	7.20	L724	
Grosbeak	636	26	7	YNT43R43R	17.48	7.20	L724	
Flamingo	666.6	24	7	YNT43R43R	17.48	7.20	L724	
Starling	715.5	26	7	YNT451R451R	17.60	7.70	L725	
Cuckoo	795	24	7	YNT451R451R	17.60	7.70	L725	
Drake	795	26	7	YNT451R451R	17.60	7.70	L725	
Tern	795	45	7	YNT451R451R	17.60	7.70	L725	
Condor	795	54	7	YNT451R451R	17.60	7.70	L725	
Ruddy	900	45	7	YNT49R49R	17.66	7.90	L727	
Rail	954	45	7	YNT49R49R	17.66	7.90	L727	
Cardinal	954	54	7	YNT49R49R	17.66	7.90	L727	
Ortolan	1033.5	45	7	YNT49R49R	17.66	7.90	L727	
Curlew	1033.5	54	7	YNT49R49R	17.66	7.90	L727	
Bluejay	1113	45	7	YNT49R49R	17.66	7.90	L727	
Finch	1113	54	19	YNT52R52R	21.61	11.10	L728	
Bunting	1192.5	45	7	YNT52R52R	21.61	11.10	L728	
Bittern	1272	45	7	YNT52R52R	21.61	11.10	L728	
Pheasant	1272	54	19	YNT52R52R	21.61	11.10	L728	
Dipper	1351.5	45	7	YNT52R52R	21.61	11.10	L728	
Martin	1351.5	54	19	YNT52R52R	21.61	11.10	L728	
Nuthatch	1510.5	45	7	YNT56R56R	23.65	11.08	L729	
Parrot	1510.5	54	19	YNT56R56R	23.65	11.08	L729	
Lapwing	1590	45	7	YNT56R56R	23.65	11.08	L729	
Falcon	1590	54	19	YNT56R56R	23.65	11.08	L729	
Chukar	1780	84	19	YNT58R58R	23.53	11.02	L735	
Bluebird	2156	84	19	YNT59R59R	23.21	10.86	L735	
Kiwi	2167	72	7	YNT59R59R	23.21	10.86	L735	

* For EHV applications add suffix "T" to catalog number (example: YNT49R49RT).

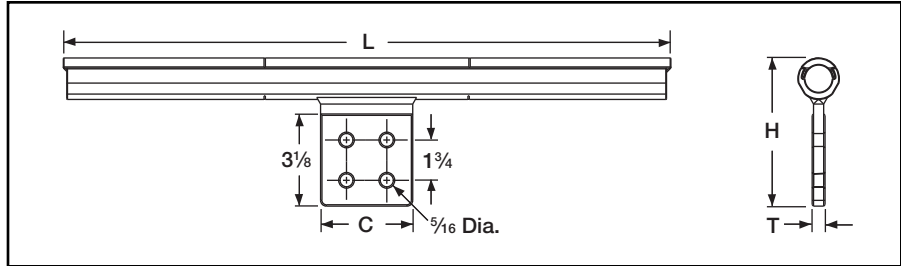
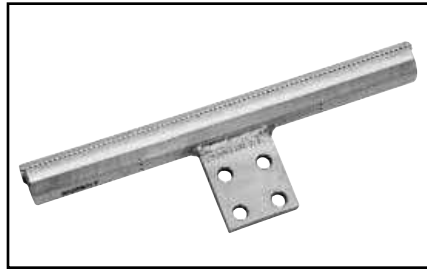
** Overlap crimps

‡ Wide dies may be used, add suffix "W" to part number (example: L725W).

TYPE YNTA-R

T-Tap with Pad for ACSR Conductor

Two piece compression T-Tap to a NEMA pad for ACSR transmission lines. Up to and including 230 kV.



I-14

Conductor Name	ACSR		Stranding	T-Tap with Pad	Inches				Die*‡
	Size kcmil	Alum.			Steel	L	C	H	
Linnet	336.4	26	7	YNTA32R	15.46	2.00	4.94	0.50	L717
Oriole	336.4	30	7	YNTA32R	15.46	2.00	4.94	0.50	L717
Ibis	397.5	26	7	YNTA34R	15.60	2.00	5.05	0.50	L719
Flicker	477	24	7	YNTA36R	16.29	2.25	5.16	0.56	L720
Hawk	477	26	7	YNTA36R	16.29	2.25	5.16	0.56	L720
Parakeet	556.5	24	7	YNTA39R	16.69	2.25	5.25	0.56	L722
Dove	556.5	26	7	YNTA39R	16.69	2.25	5.25	0.56	L722
Peacock	605	24	7	YNTA43R	17.48	3.25	5.36	0.56	L724
Squab	605	26	7	YNTA43R	17.48	3.25	5.36	0.56	L724
Rook	636	24	7	YNTA43R	17.48	3.25	5.36	0.56	L724
Grosbeak	636	26	7	YNTA43R	17.48	3.25	5.36	0.56	L724
Flamingo	666.6	24	7	YNTA43R	17.48	3.25	5.36	0.56	L724
Starling	715.5	26	7	YNTA451R	17.60	3.25	5.55	0.56	L725
Cuckoo	795	24	7	YNTA451R	17.60	3.25	5.55	0.56	L725
Drake	795	26	7	YNTA451R	17.60	3.25	5.55	0.56	L725
Tern	795	45	7	YNTA451R	17.60	3.25	5.55	0.56	L725
Condor	795	54	7	YNTA451R	17.60	3.25	5.55	0.56	L725
Ruddy	900	45	7	YNTA49R	17.66	3.25	5.72	0.56	L727
Rail	954	45	7	YNTA49R	17.66	3.25	5.72	0.56	L727
Cardinal	954	54	7	YNTA49R	17.66	3.25	5.72	0.56	L727
Ortolan	1033.5	45	7	YNTA49R	17.66	3.25	5.72	0.56	L727
Curlew	1033.5	54	7	YNTA49R	17.66	3.25	5.72	0.56	L727
Bluejay	1113	45	7	YNTA49R	17.66	3.25	5.72	0.56	L727
Finch	1113	54	19	YNTA54R	21.61	3.25	6.00	0.69	L728
Bunting	1192.5	45	7	YNTA54R	21.61	3.25	6.00	0.69	L728
Bittern	1272	45	7	YNTA54R	21.61	3.25	6.00	0.69	L728
Pheasant	1272	54	19	YNTA54R	21.61	3.25	6.00	0.69	L728
Dipper	1351.5	45	7	YNTA54R	21.61	3.25	6.00	0.69	L728
Martin	1351.5	54	19	YNTA54R	21.61	3.25	6.00	0.69	L728
Nuthatch	1510.5	45	7	YNTA56R	23.65	3.59	6.25	0.69	L729
Parrot	1510.5	54	19	YNTA56R	23.65	3.59	6.25	0.69	L729
Lapwing	1590	45	7	YNTA56R	23.65	3.59	6.25	0.69	L729
Falcon	1590	54	19	YNTA56R	23.65	3.59	6.25	0.69	L729
Chukar	1780	84	19	YNTA58R	23.53	3.59	6.25	0.69	L735
Bluebird	2156	84	19	YNTA59R	23.21	3.59	6.25	0.69	L735
Kiwi	2167	72	7	YNTA59R	23.21	3.59	6.25	0.69	L735

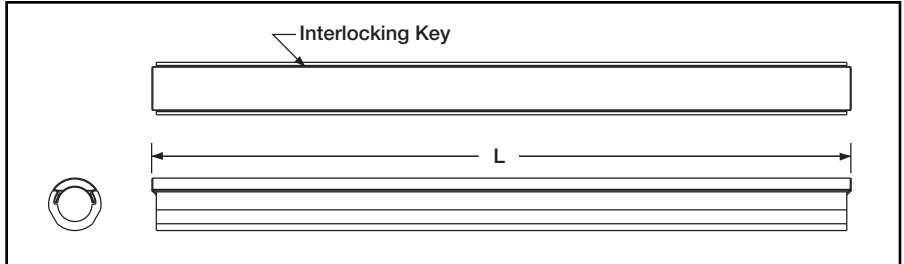
Two hole NEMA pads standard for conductors up to 556.5 kcmil; Four hole NEMA pads on larger conductor sizes. For EHV applications add suffix "T" to catalog number (example: YNTA49RT).

For EHV applications order (2) two tap pad shielding caps STS43A4N-catalog number indicates (1) cap.
 * Overlap crimps
 ‡ Wide dies may be used, add suffix "W" to part number (example: L725W).

TYPE YNU-R

Repair Sleeve for ACSR Conductor

For HV and EHV applications. Two-piece repair sleeve for temporary restoration of conductivity to damaged ACSR transmission lines. Use of PENETROX™ joint compound required.



Conductor Name	ACSR		Repair Sleeve	Inches	Die*‡	
	Size kcmil	Stranding		L		
		Alum.	Steel			
Linnet	336.4	26	7	YNU32R	14.00	L717
Oriole	336.4	30	7	YNU32R	14.00	L717
Ibis	397.5	26	7	YNU34R	14.00	L719
Flicker	477	24	7	YNU36R	14.00	L720
Hawk	477	26	7	YNU36R	14.00	L720
Parakeet	556.5	24	7	YNU39R	16.00	L722
Dove	556.5	26	7	YNU39R	16.00	L722
Peacock	605	24	7	YNU43R	16.00	L724
Squab	605	26	7	YNU43R	16.00	L724
Rook	636	24	7	YNU43R	16.00	L724
Grosbeak	636	26	7	YNU43R	16.00	L724
Flamingo	666.6	24	7	YNU43R	16.00	L724
Starling	715.5	26	7	YNU451R	16.00	L725
Cuckoo	795	24	7	YNU451R	16.00	L725
Drake	795	26	7	YNU451R	16.00	L725
Tern	795	45	7	YNU451R	16.00	L725
Condor	795	54	7	YNU451R	16.00	L725
Ruddy	900	45	7	YNU49R	16.00	L727
Rail	954	45	7	YNU49R	16.00	L727
Cardinal	954	54	7	YNU49R	16.00	L727
Ortolan	1033.5	45	7	YNU49R	16.00	L727
Curlew	1033.5	54	7	YNU49R	16.00	L727
Bluejay	1113	45	7	YNU49R	16.00	L727
Finch	1113	54	19	YNU54R	16.00	L728
Bunting	1192.5	45	7	YNU54R	16.00	L728
Bittern	1272	45	7	YNU54R	16.00	L728
Pheasant	1272	54	19	YNU54R	16.00	L728
Dipper	1351.5	45	7	YNU54R	16.00	L728
Martin	1351.5	54	19	YNU54R	16.00	L728
Nuthatch	1510.5	45	7	YNU56R	19.00	L729
Parrot	1510.5	54	19	YNU56R	19.00	L729
Lapwing	1590	45	7	YNU56R	19.00	L729
Falcon	1590	54	19	YNU56R	19.00	L729
Chukar	1780	84	19	YNU58R	19.00	L735
Bluebird	2156	84	19	YNU59R	19.00	L735
Kiwi	2167	72	7	YNU59R	19.00	L735

* Overlap crimps

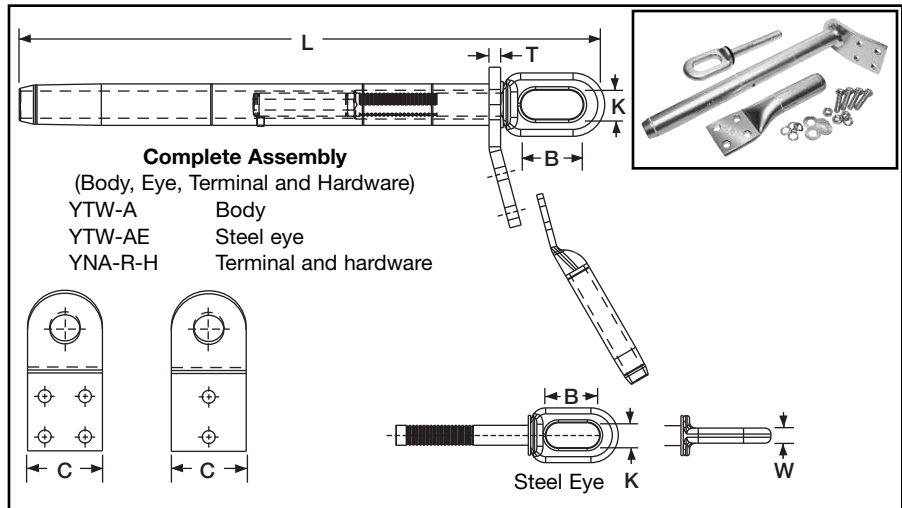
‡ Wide dies may be used, add suffix "W" to part number (example: L725W).

Blue highlighted items are industry standard and most frequently ordered.

TYPES YTW-A-AEK, YTW-A, YTW-AE, YNA-RH

Single Pad Full Tension Deadend for Stranded Aluminum Cable

Full tension compression deadend for SAC transmission lines. One design for applications up to and including 230 kV. Two hole NEMA tap pad supplied through 636 kcmil. Larger sizes have 4 hole NEMA pad. Standard 15° tap pad when used with YNA-R15H terminal provides either 0° or 30° tap. Aluminum body is pre-filled with PENETROX™ joint compound and capped.



I-16

Conductor Name	Aluminum		Single Pad		Inches			Steel Eye	Inches			Tools		Terminal* with Hardware	Terminal Die*‡								
	kcmil	Str.	Complete Assembly	Aluminum Body	C	L	T		B	K	W	Die Index	Y60BHU*‡										
Tulip	336.4	19	YTW301A331AEK	YTW301A	2.25	9.62	0.50	YTW331AE	2.50	0.62	0.88	0.69	717	L717	YNA32R15H	L717							
	350	37											719	L719	YNA34R15H	L719							
Canna	397.5	19	YTW311A331AEK	YTW311A		9.75							11.62	YTW351AE	0.88	0.69	0.75	0.75	0.75	720	L720	YNA36R15H	L720
	400	37																		722	L722	YNA39R15H	L722
Cosmos	450	37	YTW331A331AE	YTW331A		12.25							12.75	YTW39AE	2.69	1.25	1.00	0.75	0.75	724	L724	YNA43R15H	L724
	477	19																					
Syringa	477	37	YTW351A351AEK	YTW351A		14.75							14.75	YTW431AE	2.69	1.25	1.00	0.75	0.75	727	L727	YNA49R15H	L727
Hyacinth	500	37																					
Dahlia	556.5	19	YTW391A431AEK	YTW391A		16.50							16.50	YTW47AE	2.69	1.25	1.00	0.75	0.75	728	L728	YNA54R15H	L729
Mistletoe	556.5	37																					
Orchid	600	61	YTW445A463AEK	YTW445A	16.38	16.38	YTW484AE	2.69	1.25	1.00	0.75	0.75	735	L735	YNA58R15H	L735							
	636	37															YTW451A463AEK	YTW451A	18.50	18.50	YTW484AE	2.69	1.25
Violet	715.5	37	YTW457A463AEK	YTW457A	16.50	16.50	YTW486AE	2.69	1.25	1.25	0.75	0.75	740	L740	YNA59R15H	L740							
Nasturtium	715.5	61															YTW463A463AEK	YTW463A	17.13	17.13	YTW486AE	2.69	1.25
Cattail	750	61	YTW47A47AEK	YTW47A	16.38	16.38	YTW484AE	2.69	1.25	1.00	0.75	0.75	735	L735	YNA58R15H	L735							
Arbutus	795	37															YTW484A484AEK	YTW484A	18.50	18.50	YTW486AE	2.69	1.25
Lilac	795	61	YTW451A463AEK	YTW451A	16.50	16.50	YTW486AE	2.69	1.25	1.25	0.75	0.75	740	L740	YNA59R15H	L740							
	800	61															YTW457A463AEK	YTW457A	17.13	17.13	YTW486AE	2.69	1.25
Anemone	874.5	37	YTW463A463AEK	YTW463A	16.38	16.38	YTW484AE	2.69	1.25	1.00	0.75	0.75	735	L735	YNA58R15H	L735							
Crocus	874.5	61															YTW47A47AEK	YTW47A	18.50	18.50	YTW486AE	2.69	1.25
Magnolia	954	37	YTW484A484AEK	YTW484A	16.50	16.50	YTW486AE	2.69	1.25	1.25	0.75	0.75	740	L740	YNA59R15H	L740							
Goldenrod	954	61															YTW451A463AEK	YTW451A	17.13	17.13	YTW486AE	2.69	1.25
Bluebell	1033.5	37	YTW457A463AEK	YTW457A	16.38	16.38	YTW484AE	2.69	1.25	1.00	0.75	0.75	735	L735	YNA58R15H	L735							
Larkspur	1033.5	61															YTW463A463AEK	YTW463A	18.50	18.50	YTW486AE	2.69	1.25
Marigold	1113	37	YTW47A47AEK	YTW47A	16.50	16.50	YTW486AE	2.69	1.25	1.25	0.75	0.75	740	L740	YNA59R15H	L740							
	1113	61															YTW484A484AEK	YTW484A	17.13	17.13	YTW486AE	2.69	1.25
Hawthorn	1192.6	61	YTW451A463AEK	YTW451A	16.38	16.38	YTW484AE	2.69	1.25	1.00	0.75	0.75	735	L735	YNA58R15H	L735							
Narcissus	1272	61															YTW457A463AEK	YTW457A	18.50	18.50	YTW486AE	2.69	1.25
Columbine	1351.5	61	YTW463A463AEK	YTW463A	16.50	16.50	YTW486AE	2.69	1.25	1.25	0.75	0.75	740	L740	YNA59R15H	L740							
Carnation	1431	61															YTW47A47AEK	YTW47A	17.13	17.13	YTW486AE	2.69	1.25
Coreopsis	1590	61	YTW484A484AEK	YTW484A	16.38	16.38	YTW484AE	2.69	1.25	1.00	0.75	0.75	735	L735	YNA58R15H	L735							
Jessamine	1750	61															YTW451A463AEK	YTW451A	18.50	18.50	YTW486AE	2.69	1.25
Cowslip	2000	91	YTW457A463AEK	YTW457A	16.50	16.50	YTW486AE	2.69	1.25	1.25	0.75	0.75	740	L740	YNA59R15H	L740							
Sagebrush	2250	91															YTW463A463AEK	YTW463A	17.13	17.13	YTW486AE	2.69	1.25
Lupine	2300	61	YTW47A47AEK	YTW47A	18.50	18.50	YTW486AE	2.69	1.25	1.25	0.75	0.75	740	L740	YNA59R15H	L740							
	2500	91															YTW484A484AEK	YTW484A	16.38	16.38	YTW484AE	2.69	1.25

* Overlap Crimp.

‡ Wide dies may be used, add suffix "W" to part number (example: L725W).

Complete Assembly: Includes Aluminum Body, Steel eye, 15 degree terminal and aluminum hardware.

For stainless steel hardware add SS to the end of the catalog number. For complete assembly (example: YTW391A431AEKSS) or to terminal (YNA43R15HSS) if ordered separately.

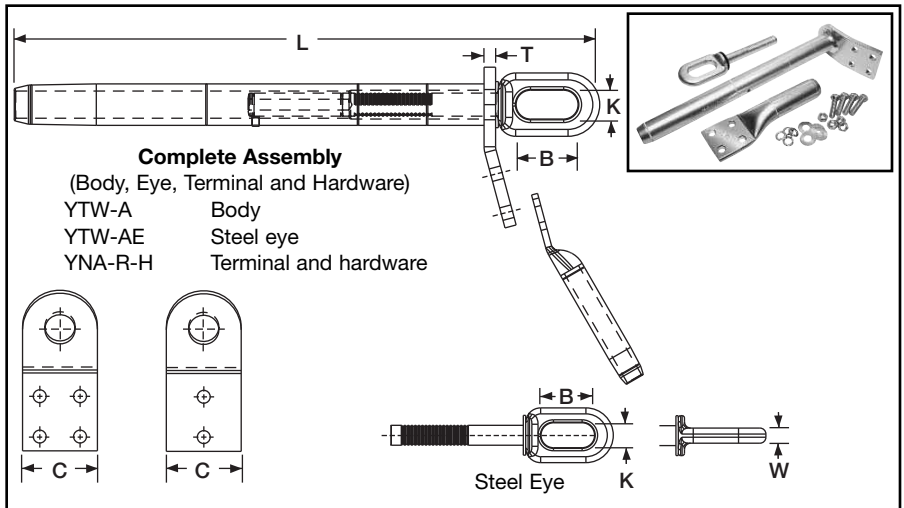
For assembly without terminal and hardware add NT to the end of the complete catalog number (example: YTW391A431AEKNT).

Blue highlighted items are industry standard and most frequently ordered.

**TYPES YTW-AT-AEK,
YTW-AT, YTW-AE,
YNA-RTH EHV**

**Single Pad, EHV Full Tension
Deadend for Stranded
Aluminum Cable**

Full tension compression deadend for SAC transmission lines at 345 kV and over. Two hole NEMA tap pad supplied through 636 kcmil. Larger sizes have 4 hole NEMA pad. Standard 15° tap pad when used with YNA-R15H terminal provides either 0° or 30° tap. Aluminum body is pre-filled with PENE-TROX™ joint compound and capped.



Conductor Name	Aluminum		Single Pad		Inches			Steel Eye	Inches			Tools		Terminal* with Hardware	Terminal Die*‡												
	kcmil	Str.	Complete Assembly	Aluminum Body	C	L	T		B	K	W	Die Index	Y60BHU*‡														
Tulip	336.4	19	YTW301AT331AEK	YTW301AT	2.25	9.62	0.50	YTW331AE	2.50	0.62	0.88	717	L717	YNA32RT15H	L717												
	350	37																									
Canna	397.5	19	YTW311AT331AEK	YTW311AT		9.75										719	L719	YNA34RT15H	L719								
	400	37																									
Cosmos	450	37	YTW331AT331AE	YTW331AT		11.62										720	L720	YNA36RT15H	L720								
	477	19																									
Syringa	477	37	YTW351T351AEK	YTW351AT		12.25										722	L722	YNA39RT15H	L722								
Hyacinth	500	37																		YTW39AT39AEK	YTW39AT	12.75	724	L724	YNA43RT15H	L724	
	Dahlia	556.5																									19
Mistletoe	556.5	37																		YTW361AT39AEK	YTW361AT	14.38	725	L725	YNA451RT15H	L725	
Orchid	600	61			YTW391AT431AEK		YTW391AT	14.75	727	L727	YNA49RT15H	L727															
	636	37																									
Violet	715.5	37			YTW431AT431AEK		YTW431AT	3.25	15.62	YTW463AE	2.69	1.25	1.00	728	L728					YNA52RT15H	L728						
Nasturtium	715.5	61																				YTW463AT463AEK	YTW463AT	17.13	YTW47AE	YNA54RT15H	L729
	Cattail	750																									
Arbutus	795	37																		YTW47AT47AEK	YTW47AT	16.38	YTW484AE	YNA58RT15H	L735		
Lilac	795	61	YTW48AT484AEK	YTW48AT		18.50										YTW486AE	YNA59RT15H	L740									
	800	61																									
Anemone	874.5	37	YTW451AT463AEK	YTW451AT		4.00										0.62	YTW484AE	735	L735								
Crocus	874.5	61																		YTW486AT486AEK	YTW486AT	2300	YNA59RT15H	L740			
Magnolia	954	37	YTW457AT463AEK	YTW457AT		16.50										YTW486AE	740	L740									
Goldenrod	954	61																	YTW463AT463AEK	YTW463AT	17.13	YTW486AE	740	L740			
Bluebell	1033.5	37	YTW47AT47AEK	YTW47AT	16.38	YTW486AE	740	L740																			
Larkspur	1033.5	61							YTW48AT484AEK	YTW48AT	16.38	YTW486AE	740	L740													
Marigold	1113	37	YTW484AT484AEK	YTW484AT	16.38	YTW486AE	740	L740																			
	1113	61																									
Hawthorn	1192.6	61	YTW486AT486AEK	YTW486AT	2300	YNA59RT15H	L740																				
Narcissus	1272	61																									
Columbine	1351.5	61	YTW486AT486AEK	YTW486AT	2300	YNA59RT15H	L740																				
Carnation	1431	61																									
Coreopsis	1590	61	YTW486AT486AEK	YTW486AT	2300	YNA59RT15H	L740																				
Jessamine	1750	61																									
Cowslip	2000	91	YTW486AT486AEK	YTW486AT	2300	YNA59RT15H	L740																				
Sagebrush	2250	91																									
Lupine	2300	61	YTW486AT486AEK	YTW486AT	2300	YNA59RT15H	L740																				
	2500	91																									

* Overlap Crimp.

‡ Wide dies may be used, add suffix "W" to part number (example: L725W).

Complete Assembly: Includes Aluminum Body, Steel eye, 15 degree terminal and aluminum hardware.

For stainless steel hardware add SS to the end of the catalog number. For complete assembly (example: YTW391A431AEKSS) or to terminal (YNA43R15HSS) if ordered separately.

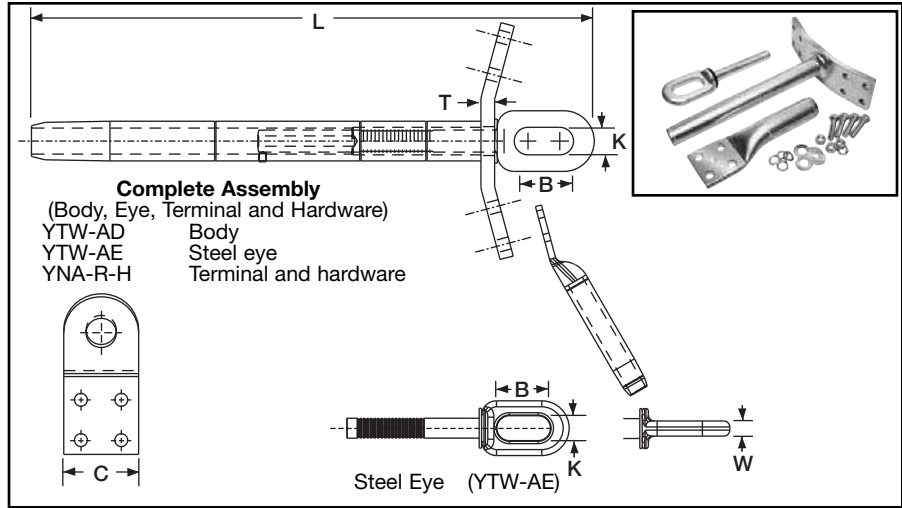
For assembly without terminal and hardware add NT to the end of the complete catalog number (example: YTW391A431AEKNT).

Blue highlighted items are industry standard and most frequently ordered.

TYPES YTW-AD-AEK, YTW-AD, YTW-AE, YNA-RH

Double Pad Full Tension Deadend for Stranded Aluminum Cable

Full tension compression deadend for SAC transmission lines. One design for applications up to and including 230 kV. Two hole NEMA tap pad supplied through 636 kcmil. Larger sizes have 4 hole NEMA pad. Standard 15° tap pad when used with YNA-R15H terminal provides either 0° or 30° tap. Aluminum body is pre-filled with PENE-TROX™ joint compound and capped.



I-18

Conductor Name	Aluminum		Single Pad		Inches			Steel Eye	Inches			Tools		Terminal* with Hardware	Terminal Die*‡
	kcmil	Str.	Complete Assembly	Aluminum Body	C	L	T		B	K	W	Die Index	Y60BHU*‡		
Tulip	336.4	19	YTW301AD331AEK	YTW301AD	2.25	9.62	0.50	YTW331AE	2.50	0.62	717	L717	YNA32R15H	L717	
	350	37													
Canna	397.5	19	YTW311AD331AEK	YTW311AD		9.75					719	L719	YNA34R15H	L719	
	400	37													
Cosmos	450	37	YTW331AD331AE	YTW331AD		11.62					720	L720	YNA36R15H	L720	
	477	19													
Syringa	477	37	YTW351AD351AEK	YTW351AD		12.25					722	L722	YNA39R15H	L722	
Hyacinth	500	37													
Dahlia	556.5	19	YTW39AD39AEK	YTW39AD		12.75					724	L724	YNA43R15H	L724	
Mistletoe	556.5	37													
Orchid	600	61	YTW391AD431AEK	YTW391AD	14.38	725	L725	YNA451R15H	L725						
	636	37													
Violet	715.5	37	YTW431AD431AEK	YTW431AD	14.75	727	L727	YNA49R15H	L727						
Nasturtium	715.5	61													
Cattail	750	61	YTW445AD463AEK	YTW445AD	15.62	728	L728	YNA52R15H	L728						
Arbutus	795	37													
Lilac	795	61	YTW451AD463AEK	YTW451AD	16.5	729	L729	YNA54R15H	L729						
	800	61													
Anemone	874.5	37	YTW457AD463AEK	YTW457AD	17.13	735	L735	YNA58R15H	L735						
Crocus	874.5	61													
Magnolia	954	37	YTW463AD463AEK	YTW463AD	16.38	740	L740	YNA59R15H	L740						
Goldenrod	954	61													
Bluebell	1033.5	37	YTW47AD47AEK	YTW47AD	18.50	740	L740	YNA59R15H	L740						
	1033.5	61													
Larkspur	1113	37	YTW48AD48AEK	YTW48AD	0.62	740	L740	YNA59R15H	L740						
Marigold	1113	61													
Hawthorn	1192.6	61	YTW484AD484AEK	YTW484AD	0.62	740	L740	YNA59R15H	L740						
Narcissus	1272	61													
Columbine	1351.5	61	YTW486AD486AE	YTW486AD	0.62	740	L740	YNA59R15H	L740						
Carnation	1431	61													
Coreopsis	1590	61	YTW486AD486AE	YTW486AD	0.62	740	L740	YNA59R15H	L740						
Jessamine	1750	61													
Cowslip	2000	91	YTW486AD486AE	YTW486AD	0.62	740	L740	YNA59R15H	L740						
Sagebrush	2250	91													
Lupine	2300	61	YTW486AD486AE	YTW486AD	0.62	740	L740	YNA59R15H	L740						
	2500	91													

* Overlap Crimp.

‡ Wide dies may be used, add suffix "W" to part number (example: L725W).

Complete Assembly: Includes Aluminum Body, Steel eye, 15 degree terminal and aluminum hardware.

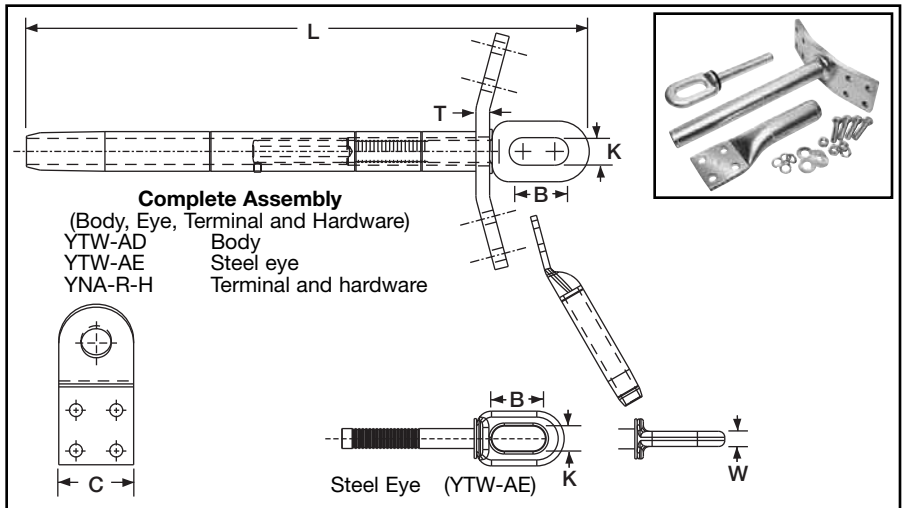
For stainless steel hardware add SS to the end of the catalog number. For complete assembly (example: YTW391A431AEKSS) or to terminal (YNA43R15HSS) if ordered separately.

For assembly without terminal and hardware add NT to the end of the complete catalog number (example: YTW391A431AEKNT).

**TYPES YTW-ADT-AEK,
YTW-ADT, YTW-AE,
YNA-RTH EHV**

**Double Pad, EHV Full Tension
Deadend for Stranded
Aluminum Cable**

Full tension compression deadend for SAC transmission line at 345kV and over. Two hole NEMA tap pad supplied through 636 kcmil. Larger sizes have 4 hole NEMA pad. Standard 15° tap pad when used with YNA-R15H terminal provides either 0° or 30° tap. Aluminum body is pre-filled with PENE-TROX™ joint compound and capped.



Conductor Name	Aluminum		Single Pad		Inches			Steel Eye	Inches			Tools		Terminal* with Hardware	Terminal Die*‡									
	kcmil	Str.	Complete Assembly	Aluminum Body	C	L	T		B	K	W	Die Index	Y60BHU*‡											
Tulip	336.4	19	YTW301ADT331AEK	YTW301ADT	2.25	9.62	0.50	YTW331AE	2.50	0.62	0.88	0.69	717	L717	YNA32R15H	L717								
	350	37																						
Canna	397.5	19	YTW311ADT331AEK	YTW311ADT		9.75											11.62	YTW351AE	0.88	0.69	719	L719	YNA34R15H	L719
	400	37																						
Cosmos	450	37	YTW331ADT331AE	YTW331ADT		12.25											12.75	YTW39AE	1.25	0.75	720	L720	YNA36R15H	L720
	477	19																						
Syringa	477	37	YTW351ADT351AEK	YTW351ADT		14.38											14.75	YTW431AE	1.25	0.75	722	L722	YNA39R15H	L722
Hyacinth	500	37																						
	Dahlia	556.5																						
Mistletoe		556.5																						
	Orchid	600			61		YTW361ADT39AEK	YTW361ADT	12.75	14.38	YTW39AE	1.25	0.69	724	L724	YNA43R15H								
636		37																						
Violet	715.5	37			YTW39ADT39AEK		YTW39ADT	14.75	15.62	YTW431AE	1.25	0.75	725	L725	YNA451R15H	L725								
Nasturtium	715.5	61																						
	Cattail	750																						
Arbutus		795																						
	Lilac	795	61	YTW391ADT431AEK		YTW391ADT											15.62	16.50	YTW463AE	1.25	0.75	727	L727	YNA49R15H
800		61																						
Anemone	874.5	37	YTW445ADT463AEK	YTW445ADT		16.50											17.13	YTW47AE	1.25	1.00	728	L728	YNA52R15H	L728
Crocus	874.5	61																						
	Magnolia	954																						
Goldenrod		954																						
	Bluebell	1033.5			37		YTW451ADT463AEK	YTW451ADT	16.38	18.50	YTW484AE	1.25	0.75	735	L735	YNA58R15H								
Larkspur		1033.5			61																			
	Marigold	1113			37		YTW457ADT463AEK	YTW457ADT	17.13	18.50	YTW47AE	1.25	1.00	735	L735	YNA59R15H								
1113		61																						
Hawthorn	1192.6	61			YTW463ADT463AEK		YTW463ADT	16.38	18.50	YTW484AE	1.25	1.00	740	L740	YNA594R15H	L740								
Narcissus	1272	61																						
	Columbine	1351.5	61																					
Carnation		1431	61																					
	Coreopsis	1590	61	YTW47ADT47AEK		YTW47ADT											16.38	18.50	YTW484AE	1.25	1.00	740	L740	YNA594R15H
Jessamine		1750	61																					
	Cowslip	2000	91	YTW48ADT484AEK		YTW48ADT											16.38	18.50	YTW484AE	1.25	1.00	740	L740	YNA594R15H
Sagebrush		2250	91																					
	Lupine	2300	61	YTW486ADT486AE		YTW486ADT											16.38	18.50	YTW486AE	1.25	1.00	740	L740	YNA594R15H
2500		91																						

* Overlap Crimp.

‡ Wide dies may be used, add suffix "W" to part number (example: L725W).

Complete Assembly: Includes Aluminum Body, Steel eye, 15 degree terminal and aluminum hardware.

For stainless steel hardware add SS to the end of the catalog number. For complete assembly (example: YTW391A431AEKSS) or to terminal (YNA43R15HSS) if ordered separately.

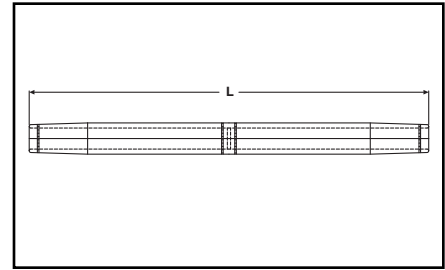
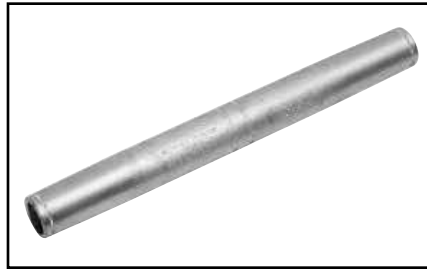
For assembly without terminal and hardware add NT to the end of the complete catalog number (example: YTW391A431AEKNT).

Blue highlighted items are industry standard and most frequently ordered.

TYPE YTS-A

Full Tension Splice for Stranded Aluminum Transmission Line

Full tension splice for Stranded Aluminum Transmission line up to and including 230 kV. Manufactured of aluminum tube with staked-in cable stop. Pre-filled with PENETROX™ joint compound and capped.



I-20

Conductor Name	Conductor		Catalog Number	Inches L	Tool, Die Sets			
	Aluminum kcmil	Strands			Die Index	Y45*	Y46*	Y60BHU* ‡
Tulip	336.4	19	YTS301A	9.13	717	S725	P725	L725
	350	37	YTS301A	9.13	717	S725	P725	L725
Canna	397.5	19	YTS311A	9.29	719	S719	P719	L719
	400	37	YTS311A	9.29	719	S719	P719	L719
	450	37	YTS331A	9.27	719	S719	P719	L719
Cosmos	477	19	YTS331A	9.27	719	S719	P719	L719
Syringa	477	37	YTS331A	9.27	719	S719	P719	L719
Hyacinth	500	37	YTS351A	11.18	720	S720	P720	L720
Dahila	556.5	19	YTS351A	11.18	720	S720	P720	L720
Mistletoe	556.5	37	YTS351A	11.18	720	S720	P720	L720
	600	61	YTS361A	12.14	722	S722	P722	L722
Orchid	636	37	YTS361A	12.14	722	S722	P722	L722
Violet	715.5	37	YTS39A	13.36	724	S724	P724	L724
Nasturtium	715.5	61	YTS39A	13.36	724	S724	P724	L724
Cattail	750	61	YTS39A	13.36	724	S724	P724	L724
Arbutus	795	37	YTS391A	15.81	724	S724	P724	L724
Lilac	795	61	YTS391A	15.81	724	S724	P724	L724
	800	61	YTS391A	15.81	724	S724	P724	L724
Anemone	874.5	37	YTS431A	16.51	725	S725	P725	L725
Crocus	874.5	61	YTS431A	16.51	725	—	—	L725
Magnolia	954	37	YTS431A	16.51	725	—	—	L725
Goldenrod	954	61	YTS431A	16.51	725	—	—	L725
Bluebell	1033.5	37	YTS445A	18.51	727	—	—	L727
Larkspur	1033.5	61	YTS445A	18.51	727	—	—	L727
	1113	37	YTS445A	18.51	727	—	—	L727
Marigold	1113	61	YTS445A	18.51	727	—	—	L727
Hawthorn	1192.6	61	YTS451A	18.40	727	—	—	L727
Narcissus	1272	61	YTS451A	18.40	727	—	—	L727
Columbine	1351.5	61	YTS457A	19.96	728	—	—	L728
Carnation	1431	61	YTS457A	19.96	728	—	—	L728
Coreopsis	1590	61	YTS463A	21.50	728	—	—	L728
	2300	61	YTS484A	20.19	735	—	—	L735
	2000	169	YTS48A	21.62	735	—	—	L735
Lupine	2500	91	YTS486A	24.28	740	—	—	L740
Jessamine	1750	61	YTS47A	19.96	725	S725	P725	L725

* Overlap Crimps.

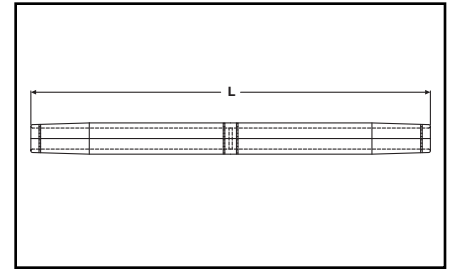
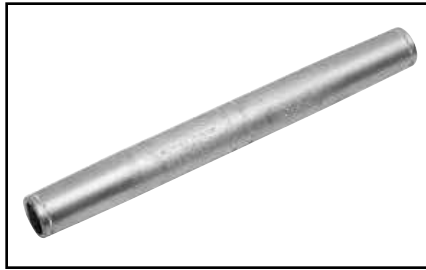
‡ Wide dies may be used, add suffix "W" to part number (example: L725W).

Blue highlighted items are industry standard and most frequently ordered.

TYPE YTS-AT EHV

Full Tension Splice for Stranded Aluminum Transmission Line

Full tension splice for Stranded Aluminum Transmission line at 345 kV and over. Manufactured of aluminum tube with staked-in cable stop. Pre-filled with PENETROX™ joint compound and capped.



Conductor Name	Conductor		Catalog Number	Inches L	Tool, Die Sets			
	Aluminum kcmil	Strands			Die Index	Y45*	Y46*	Y60BHU* ‡
Tulip	336.4	19	YTS301AT	9.75	717	S725	P725	L725
	350	37	YTS301AT	9.75	717	S725	P725	L725
Canna	397.5	19	YTS311AT	9.99	719	S719	P719	L719
	400	37	YTS311AT	9.99	719	S719	P719	L719
	450	37	YTS331AT	10.01	719	S719	P719	L719
Cosmos	477	19	YTS331AT	10.01	719	S719	P719	L719
Syringa	477	37	YTS331AT	10.01	719	S719	P719	L719
Hyacinth	500	37	YTS351AT	11.88	720	S720	P720	L720
Dahila	556.5	19	YTS351AT	11.88	720	S720	P720	L720
Mistletoe	556.5	37	YTS351AT	11.88	720	S720	P720	L720
	600	61	YTS361AT	12.92	722	S722	P722	L722
Orchid	636	37	YTS361AT	12.92	722	S722	P722	L722
Violet	715.5	37	YTS39AT	14.36	724	S724	P724	L724
Nasturtium	715.5	61	YTS39AT	14.36	724	S724	P724	L724
Cattail	750	61	YTS39AT	14.36	724	S724	P724	L724
Arbutus	795	37	YTS391AT	16.56	724	S724	P724	L724
Lilac	795	61	YTS391AT	16.56	724	S724	P724	L724
	800	61	YTS391AT	16.56	724	S724	P724	L724
Anemone	874.5	37	YTS431AT	17.92	725	S725	P725	L725
Crocus	874.5	61	YTS431AT	17.92	725	S725	P725	L725
Magnolia	954	37	YTS431AT	17.92	725	S725	P725	L725
Goldenrod	954	61	YTS431AT	17.92	725	S725	P725	L725
Bluebell	1033.5	37	YTS445AT	19.57	727	—	—	L727
Larkspur	1033.5	61	YTS445AT	19.57	727	—	—	L727
	1113	37	YTS445AT	19.57	727	—	—	L727
Marigold	1113	61	YTS445AT	19.57	727	—	—	L727
Hawthorn	1192.6	61	YTS451AT	19.24	727	—	—	L727
Narcissus	1272	61	YTS451AT	19.24	727	—	—	L727
Columbine	1351.5	61	YTS457AT	21.08	728	—	—	L728
Carnation	1431	61	YTS457AT	21.08	728	—	—	L728
Coreopsis	1590	61	YTS463AT	22.56	728	—	—	L728
	2300	61	YTS484AT	23.00	735	—	—	L735
	2000	169	YTS48AT	23.02	735	—	—	L735
Lupine	2500	91	YTS486AT	25.40	740	—	—	L740
Jessamine	1750	61	YTS47AT	21.08	725	S725	P725	L725

* Overlap Crimps.

‡ Wide dies may be used, add suffix "W" to part number (example: L725W).

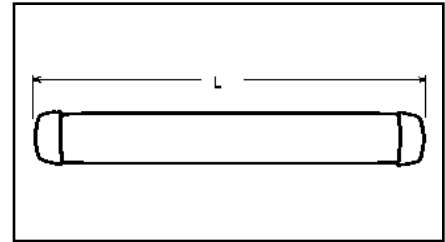
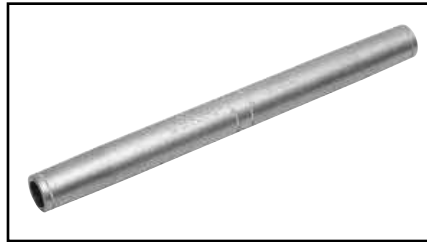
I-21

Blue highlighted items are industry standard and most frequently ordered.

TYPE YTS-AR

Full Tension Splice for ACAR

Full tension splice for ACAR transmission lines up to and including 230 kV. Manufactured of aluminum tube with staked-in cable stop. Pre-filled with PENETROX™ joint compound and capped.



I-22

Catalog Number	Conductor		L	Tool, Die Sets			
	ACAR			Die Index	Y45*	Y46*	Y60BHU* ‡
	kcmil	Str.					
YTS32AR	395.1	12-7	15.25"	717	S717	P717	L717
	395.2	15-7					
YTS39AR	634.9	12-7	16.38"	722	S722	P722	L722
	649.5	18-19					
		15-4					
		12-7					
653.1	18-19						
YTS451AR	840.2	24-13	19.50"	725	S725	P725	L725
	853.7	30-7					
		24-13					
	862.7	18-19					
		30-7					
927.2	24-13						
YTS48AR	983.1	30-7	21.38"	727	—	—	L727
	1012.2	24-13					
		30-7					
		24-13					
	1024.5	18-19					
		30-7					
24-13							
1081	18-19						
	30-7						
	24-13						
	18-19						
	30-7						
YTS49AR	1109	30-7	21.42"	727	—	—	L727
		24-13					
		18-19					
	1172	30-7					
		24-13					
		18-19					
1198	30-7						
	24-13						
	18-19						
YTS51AR	1277	42-19	21.50"	728	—	—	L728
		54-7					
	1280	30-7					
		24-13					
YTS55AR	1534	18-19	25.38"	728	—	—	L728
		42-19					
		54-7					
YTS59AR	2267	54-7	23.50"	814	—	—	**
		48-13					
	2277	42-19					
		54-7					
		48-13					
2338	42-19						
	72-19						
2335	30-61						
	30-61						
YTS592AR	2493	54-37	28.38"	990	—	—	***

* Overlap crimps.

‡ Wide dies may be used, add suffix "W" to part number (example: L725W).

** Use die H814 in Alcoa Press H2H, die M814 in Alcoa Press 150B and die MH814 in Alcoa Press 100A. These dies are manufactured by BURNDY®.

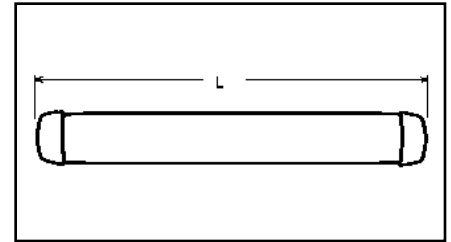
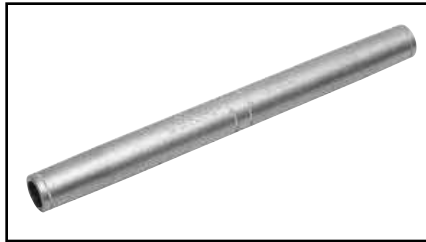
*** Use die H990 in Alcoa Press H2H, die M990 in Alcoa Press 150B and die MH990 in Alcoa Press 100A. These dies are manufactured by BURNDY®.

Blue highlighted items are industry standard and most frequently ordered.

TYPE YTS-ART EHV

Full Tension Splice for ACAR

Full tension splice for ACAR transmission lines at 345 kV and over. Manufactured of aluminum tube with staked-in cable stop. Pre-filled with PENETROX™ joint compound and capped.



Catalog Number	Conductor		Inches L	Tool, Die Sets			
	ACAR			Die Index	Y45*	Y46*	Y60BHU* ‡
	kcmil	Str.					
YTS32ART	395.1	12-7	15.52	717	S717	P717	L717
	395.2	15-7					
YTS39ART	634.9	12-7	16.95	722	S722	P722	L722
	649.5	18-19					
	653.1	15-4					
		12-7					
YTS451ART	840.2	24-13	20.36	725	S725	P725	L725
	853.7	30-7					
		24-13					
	862.7	18-19					
		30-7					
927.2	24-13						
	18-19						
	30-7						
YTS48ART	983.1	30-7	22.36	727	—	—	L727
	1012.2	24-13					
		30-7					
		24-13					
	1024.5	18-19					
		30-7					
24-13							
1081	18-19						
	30-7						
	24-13						
	18-19						
YTS49ART	1109	30-7	22.38	727	—	—	L727
		24-13					
		18-19					
	1172	30-7					
		24-13					
		18-19					
1198	30-7						
	24-13						
	18-19						
YTS51ART	1277	42-19	22.46	728	—	—	L728
		54-7					
	1280	30-7					
		24-13					
YTS55ART	1534	18-19	26.40	728	—	—	L728
		42-19					
		54-7					
YTS59ART	2267	54-7	24.75	814	—	—	**
		48-13					
	2277	42-19					
		54-7					
		48-13					
2338	42-19						
	72-19						
2335	30-61						
	YTS592ART	2493	54-37	29.40	990	—	***

I-23

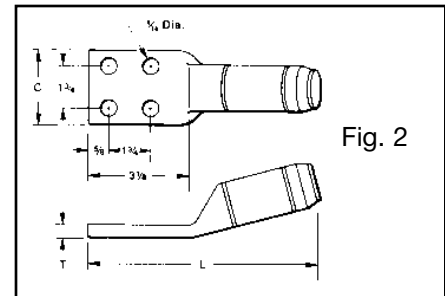
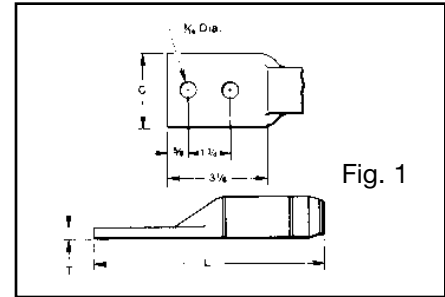
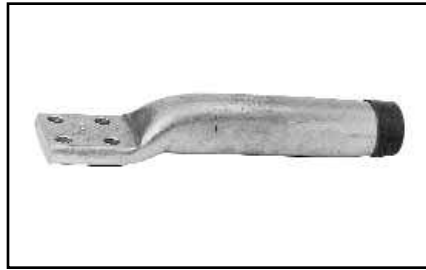
* Overlap crimps.
 ‡ Wide dies may be used, add suffix "W" to part number (example: L725W).
 ** Use die H814 in Alcoa Press H2H, die M814 in Alcoa Press 150B and die MH814 in Alcoa Press 100A. These dies are manufactured by BURNDY®.
 ***Use die H990 in Alcoa Press H2H, die M990 in Alcoa Press 150B and die MH990 in Alcoa Press 100A. These dies are manufactured by BURNDY®.

Blue highlighted items are industry standard and most frequently ordered.

TYPES YNA-R15 & YNA-R

Compression Terminal for ACAR and Stranded Aluminum Cable

Compression terminal ACAR and Stranded Aluminum Cable. Two hole NEMA tongue supplied through 650 kcmil Aluminum. For transmission line up to and including 230 kV supplied on tongue through 650 kcmil Aluminum. Four hole NEMA supplied on larger sizes. When used with YTW Deadends the 15° angle tongue provides either a 0° or 30° tap. Uses same dies as equivalent full-tension sleeve or deadend. Barrel pre-filled with PENETROX™ joint compound and capped. Pad coated with oxide-retardant.



I-24

Catalog Number †		Conductor		Fig. No.	C	L 15°	L Straight	T	Tools, Die Sets				
15°	Straight	ACAR	Aluminum						Die Index	Y45*	Y46*	Y60BHU*‡	
YNA32R15	YNA32R	395.1 - 395.2	336.4 - 350	1	1.68"	9.16"	8.96"	0.39"	717	S717	P717	L717	
YNA34R15	YNA34R	—	397.5 - 477		1.78"	9.31"	9.08"	0.46"	719	S719	P719	L719	
YNA36R15	YNA36R	—	500 - 556.5		1.96"	9.62"	9.47"	0.48"	720	S720	P720	L720	
YNA39R15	YNA39R	634.9 - 653.1	600 - 650		2.08"	10.09"	9.84"	0.53"	722	S722	P722	L722	
YNA43R15	YNA43R	—	700 - 800	2	3.22"	10.16"	10.07"	0.36"	724	S724	P724	L724	
YNA451R15	YNA451R	840.2 927.2	795 1000			10.21"	10.28"	0.45"	725	S725	P725	L725	
YNA49R15	YNA49R	983.1 - 1198	1033.5 - 1272			10.35"	10.46"	0.52"	727			L727	
YNA52R15	YNA52R	1277 - 1280	1351.5 - 1510			12.09"	12.24"	0.71"	728			L728	
YNA54R15	YNA54R	1534	1590 - 1600			13.30"	13.46"	0.71"	728			L728	
YNA56R15	YNA56R	—	1700 - 1800			3.44"	12.50"	12.74"	0.81"	729	—	—	L729
YNA58R15	YNA58R	—	2000			3.47"	13.25"	13.34"	0.80"	735			L735
YNA59R15	YNA59R	—	2250 - 2300			3.57"	13.12"	13.25"	0.64"	735			L735
YNA594R15	YNA594R	2267 - 2500	2500			3.70"	12.81"	14.35"	0.68"	740			L740

† To specify mounting hardware for bolting to corresponding deadend pad, add suffix "H" to catalog number (example: YNA54RTH).

* Overlap crimps.

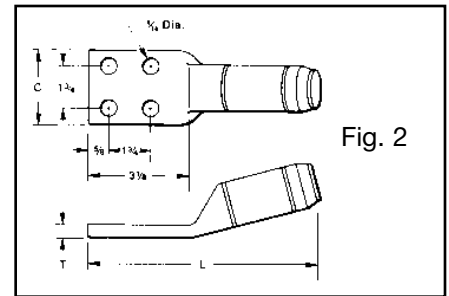
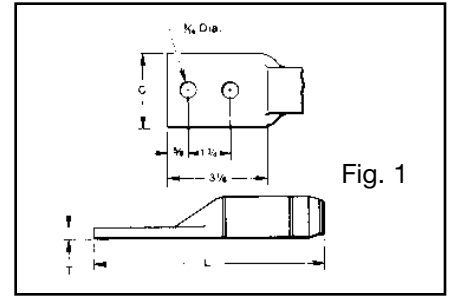
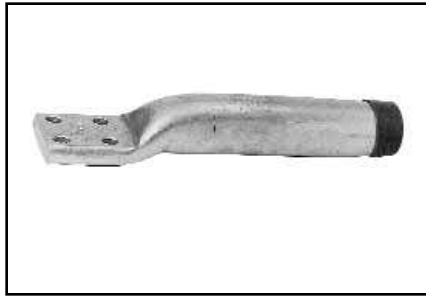
‡ Wide dies may be used, add suffix "W" to part number (example: L725W).

Blue highlighted items are industry standard and most frequently ordered.

**TYPES YNA-RT15,
YNA-RT, EHV**

**Compression Terminal for
ACAR and Stranded
Aluminum Cable**

Compression terminal ACAR and Stranded Aluminum Cable. For transmission lines over 230 kV. Two hole NEMA supplied on tongue through 650 kcmil Aluminum. Four hole NEMA supplied on larger sizes. When used with YTW Deadends the 15° angle tongue provides either a 0° or 30° tap. Uses same dies as equivalent full-tension sleeve or deadend. Barrel pre-filled with PENETROX™ joint compound and capped. Pad coated with oxide-retardant.



Catalog Number †		Conductor		Fig. No.	C	L 15°	L Straight	T	Tools, Die Sets				
15°	Straight	ACAR	Aluminum						Die Index	Y45*	Y46*	Y60BHU*‡	
YNA32RT15	YNA32RT	395.1 - 395.2	336.4 - 350	1	1.68"	9.04"	9.14"	0.39"	717	S717	P717	L717	
YNA34RT15	YNA34RT	—	397.5 - 477		1.78"	9.21"	9.30"	0.46"	719	S719	P719	L719	
YNA36RT15	YNA36RT	—	500 - 556.5		1.96"	9.63"	9.70"	0.48"	720	S720	P720	L720	
YNA39RT15	YNA39RT	634.9 - 653.1	600 - 650		2.08"	10.02"	10.09"	0.53"	722	S722	P722	L722	
YNA43RT15	YNA43RT	—	700 - 800				10.21"	10.32"	0.36"	724	S724	P724	L724
YNA451RT15 ‡	YNA451RT ‡	840.2 927.2	795 1000	2	3.22"	10.65"	10.57"	0.45"	725	S725	P725	L725	
YNA49RT15 ‡	YNA49RT ‡	983.1 - 1198	1033.5 - 1272			10.94"	10.71"	0.52"	727				L727
YNA52RT15 ‡	YNA52RT ‡	1277 - 1280	1351.5 - 1510			12.62"	13.82"	0.71"	728				L728
YNA54RT15 ‡	YNA54RT ‡	1534	1590 - 1600			14.02"	13.79"	0.71"	728				L728
YNA56RT15 ‡	YNA56RT ‡	—	1700 - 1800			3.44"	13.36"	13.76"	0.81"	729	—	—	L729
YNA58RT15 ‡	YNA58RT ‡	—	2000			3.47"	14.08"	13.70"	0.80"	735			L735
YNA59RT15 ‡	YNA59RT ‡	—	2250 - 2300			3.57"	13.75"	13.54"	0.64"	735			L735
YNA594RT15 ‡	YNA594RT ‡	2267 - 2500	2500			3.70"	13.50"	14.06"	0.68"	740			L740

† To specify mounting hardware for bolting to corresponding deadend pad, add suffix "H" to catalog number (example: YNA54RTH).
 * Overlap crimps.
 ‡ Wide dies may be used, add suffix "W" to part number (example: L725W).
 ‡‡ If shielding caps are required for this item, use Catalog Number STS43A-4N.

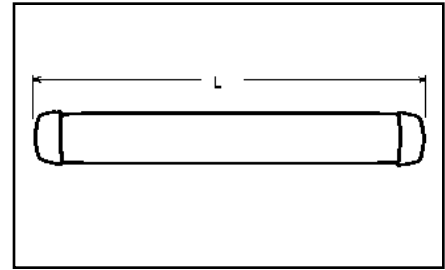
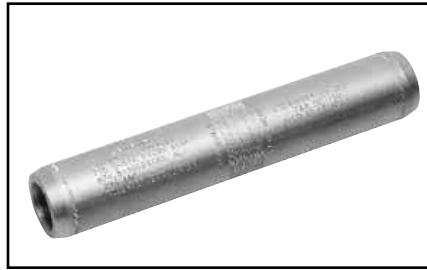
I-25

Blue highlighted items are industry standard and most frequently ordered.

TYPE YNS-R

**Jumper Loop Sleeve
for ACAR and Stranded
Aluminum Conductor**

Jumper sleeve for ACAR and Stranded Aluminum Cable up to and including 230 kV. Sleeve prefilled with PENETROX™ joint compound and capped.



I-26

Catalog Number	Conductor		Inches L	Tools, Die Sets			
	ACAR	Aluminum		Die Index	Y45*	Y46*	Y60BHU*‡
YNS32R	395.1 - 395.2	336.4 - 350	8.60	717	S717	P717	L717
YNS34R	—	397.5 - 477	8.68	719	S719	P719	L719
YNS36R	—	500 - 556.5	9.20	720	S720	P720	L720
YNS39R	634.9 - 655.1	600 - 650	9.76	722	S722	P722	L722
YNS43R	—	700 - 800	9.98	724	S724	P724	L724
YNS451R	840.2 - 927.2	795 - 1000	10.04	725	S725	P725	L725
YNS49R	983.1 - 1198	1033.5 - 1272	10.08	727	—	—	L727
YNS52R	1277 - 1280	1351.5 - 1510	15.48	728	—	—	L728
YNS54R	1534	1590 - 1600	15.48	728	—	—	L728
YNS56R	—	1700 - 1800	14.80	729	—	—	L729
YNS58R	—	2000	14.74	735	—	—	L735
YNS59R	—	2250	14.56	735	—	—	L735
YNS594R	2267 - 2500	2500	14.04	740	—	—	L740

* Overlap crimps.

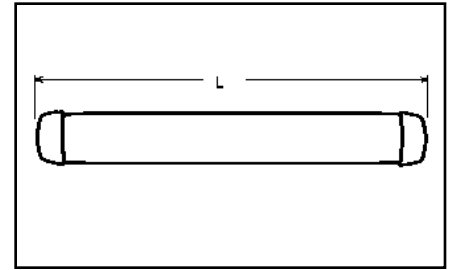
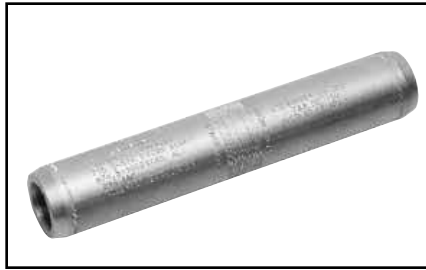
‡ Wide dies may be used, add suffix "W" to part number (example: L725W).

Blue highlighted items are industry standard and most frequently ordered.

TYPE YNS-RT EHV

**Jumper Loop Sleeve
for ACAR and Stranded
Aluminum Conductor**

Jumper sleeve for ACAR and Stranded Aluminum Cable over 230 kV. Sleeve prefilled with PENETROX™ joint compound and capped.



Catalog Number	Conductor		Inches L	Tools, Die Sets			
	ACAR	Aluminum		Die Index	Y45*	Y46*	Y60BHU*‡
YNS32RT	395.1 - 395.2	336.4 - 350	8.86	717	S717	P717	L717
YNS34RT	—	397.5 - 477	9.10	719	S719	P719	L719
YNS36RT	—	500 - 556.5	9.64	720	S720	P720	L720
YNS39RT	634.9 - 655.1	600 - 650	10.26	722	S722	P722	L722
YNS43RT	—	700 - 800	10.48	724	S724	P724	L724
YNS451RT	840.2 - 927.2	795 - 1000	10.60	725	S725	P725	L725
YNS49RT	983.1 - 1198	1033.5 - 1272	10.66	727	—	—	L727
YNS52RT	1277 - 1280	1351.5 - 1510	16.20	728	—	—	L728
YNS54RT	1534	1590 - 1600	16.11	728	—	—	L728
YNS56RT	—	1700 - 1800	15.58	729	—	—	L729
YNS58RT	—	2000	15.46	735	—	—	L735
YNS59RT	—	2250	15.14	735	—	—	L735
YNS594RT	2267 - 2500	2500	16.53	740	—	—	L740

* Overlap crimps.

‡ Wide dies may be used, add suffix "W" to part number (example: L725W).

I-27

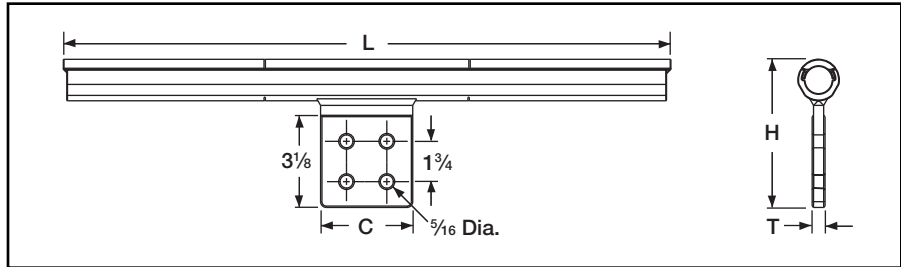
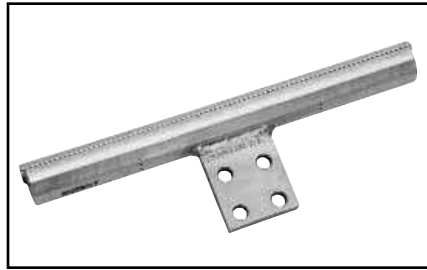
Blue highlighted items are industry standard and most frequently ordered.

TYPE YNTA-R

T-Tap With Pad

For ACAR and Stranded Aluminum Cable

Two-piece compression T-Tap with pad for ACAR and Stranded aluminum transmission lines.



I-28

Catalog Number	Conductor		Fig. No.	Inches				Tools, Die Sets			
	ACAR	Aluminum		L	C	H	T	Die Index	Y45*	Y46*	Y60BHU*‡
YNTA32R	395.1 - 395.2	336.4 - 350	1	15.46	2.00	4.94	0.50	717	S717	P717	L717
YNTA34R		397.5 - 477	1	15.60	2.00	5.05	0.50	719	S719	P719	L719
YNTA36R		500 - 556.5	1	16.29	2.25	5.16	0.56	720	S720	P720	L720
YNTA39R	634.9 - 653.1	600 - 650	1	16.69	2.25	5.25	0.56	722	S722	P722	L722
YNTA43R		700 - 800	2	17.48	3.25	5.36	0.56	724	S724	P724	L724
YNTA451R	840.2 - 927.2	795 - 1000	2	17.60	3.25	5.55	0.56	725	S725	P725	L725
YNTA49R	983.1 - 1198	1033.5 - 1272	2	17.66	3.25	5.72	0.56	727	—	—	L727
YNTA54R		1351.5 - 1600	2	21.61	3.25	6.00	0.69	728	—	—	L728
YNTA56R	1650	1700 - 1800	2	23.65	3.59	6.25	0.69	729	—	—	L729
YNTA58R		2000	2	23.53	3.59	6.25	0.69	735	—	—	L735
YNTA59R		2300	2	23.21	3.59	6.25	0.69	735	—	—	L735
YNTA594R	2267 - 2500	2500	2	24.3	3.59	6.35	0.69	740	—	—	L740

Two hole NEMA pads standard for conductors up to 650 kcmil.

Four hole NEMA pads on larger conductor sizes.

* Overlap crimps.

** For Extra High Voltage (EHV) applications order two tap pad shielding caps STS43A4N. Catalog number indicates 1 cap. Two caps required per assembly.

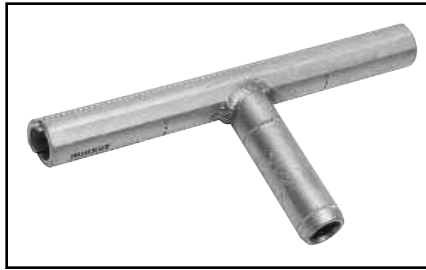
‡ Wide dies may be used add suffix "W" to the part number (example: L725W).

Blue highlighted items are industry standard and most frequently ordered.

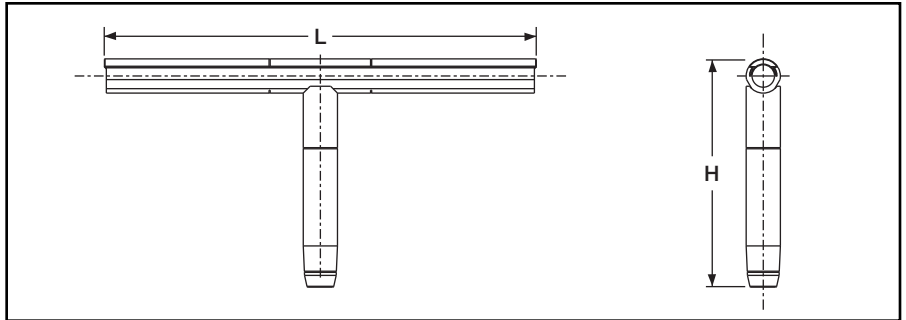
TYPE YNT-R-R

Compression T-Tap

Two-Piece Compression T-Tap for ACAR and Stranded Aluminum Transmission Lines



Installed with same dies as equivalent full tension splice. Tap element pre-filled with PENETROX™ joint compound.



Catalog Number	Conductor		Inches		Tools, Die Sets			
	Run and Tap				Die Index	Y45*	Y46*	Y60BHU*‡
	ACAR	Aluminum	L	H				
YNT32R32R		336.4 - 350	15.46	6.39	717	S717	P717	L717
YNT34R34R		397.5 - 477	15.60	6.53	719	S719	P719	L719
YNT36R36R		500 - 556.5	16.29	6.85	720	S720	P720	L720
YNT39R39R		600 - 650	16.69	7.13	722	S722	P722	L722
YNT43R43R		700 - 800	17.48	7.20	724	S724	P724	L724
YNT451R451R	840.2 - 927.2	795 - 1000	17.60	7.70	725	S725	P725	L725
YNT49R49R		1033.5 - 1272	17.66	7.90	727	—	—	L727
YNT52R52R		1510	21.61	11.10	728	—	—	L728
YNT54R54R		1590 - 1600	21.61	11.10	728	—	—	L728
YNT56R56R	1650	1700 - 1800	23.65	11.08	729	—	—	L729
YNT58R58R		2000	23.53	11.02	735	—	—	L735
YNT59R59R		2300	23.21	10.88	735	—	—	L735
YNT594R594R	2267 - 2500	2500	24.30	11.45	740	—	—	L740

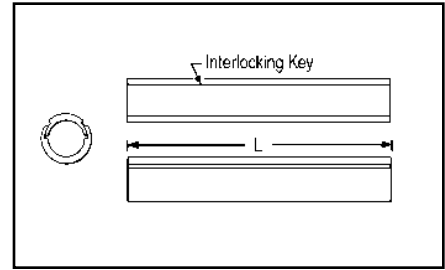
* Overlap Crimps.
 ** For Extra High Voltage (EHV) applications add suffix "T" to the catalog number (example: YBT49R49RT).
 ‡ Wide dies may be used add suffix "W" to the part number (example: L725W).

Blue highlighted items are industry standard and most frequently ordered.

TYPE YNU-R

Repair Sleeve for ACAR and Stranded Aluminum Cable

Two piece repair sleeves for restoring conductivity to damaged ACAR or Stranded Aluminum Cable transmission lines. Installed with same dies as equivalent full tension splice. Use of PENETROX™ joint compound required. For High Voltage and Extra High Voltage (EHV) Applications.



I-30

Catalog Number	Conductor		Inches L	Tools, Die Sets			
	ACAR	Aluminum		Die Index	Y45*	Y46*	Y60BHU*‡
YNU32R	—	336.4 - 350	14.00	717	S717	P717	L717
YNU34R	—	397.5 - 477	14.00	719	S719	P719	L719
YNU36R	—	500 - 556.5	14.00	720	S720	P720	L720
YNU39R	—	600 - 650	16.00	722	S722	P722	L720
YNU43R	—	700 - 800	16.00	724	S724	P724	L724
YNU451R	840.2 - 927.2	795 - 1000	16.00	725	S725	P725	L725
YNU49R	—	1033.5 - 1272	16.00	727	—	—	L727
YNU54R	—	1351.5 - 1600	16.00	728	—	—	L728
YNU56R	—	1700 - 1800	19.00	729	—	—	L729
YNU59R	—	2000 -2300	19.00	735	—	—	L735
YNU594R	2267 - 2500	2500	20.00	740	—	—	L740
YNU595R	2500	2500	24.60	791	—	—	L791

* Overlap Crimps.

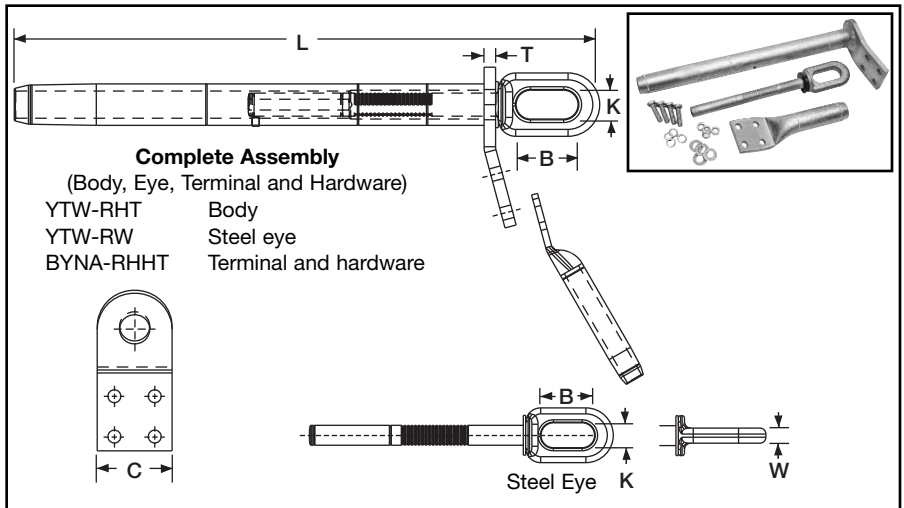
‡ Wide dies may be used, add suffix "W" to part number (example: L725W).

Blue highlighted items are industry standard and most frequently ordered.

**TYPES YTW-R-REKHT,
YTW-RHT, YTW-REHT,
BYNA-R-HHT**

**Single Pad Full Tension
Deadend for ACSS Conductor**

Full tension compression deadend for 250°C rated ACSS transmission lines up to and including 230 kV. Standard 15° NEMA tap pad provides either 0° or 30° tap when BYNA-R15 terminal is used.



Conductor Name	ACSS		Single Pad		Inches			Body Die*†	Steel Eye	Inches			Eye Die*	Terminal † with Hardware	Term Die*†	
	Size kcmil	Stranding		Complete Assembly	Alum. Body	L	C			T	B	K				W
		Alum	Steel													
Linnet	336.4	26	7	YTW32R34REKHT	YTW32RHT	21.53	3.25	0.50	L717	YTW34REHT	2.50	0.88	0.62	L718	BYNA32R15HHT	L717
Oriole	336.4	30	7	YTW32R33REKHT	YTW32RHT	21.53	3.25	0.50	L717	YTW33REHT	2.50	0.88	0.62	L718	BYNA32R15HHT	L717
Ibis	397.5	26	7	YTW34R34REKHT	YTW34RHT	21.60	3.25	0.50	L719	YTW34REHT	2.50	0.88	0.62	L718	BYNA34R15HHT	L719
Flicker	477	24	7	YTW36R362REKHT	YTW36RHT	23.41	3.25	0.50	L720	YTW362REHT	2.50	0.88	0.62	L721	BYNA36R15HHT	L720
Hawk	477	26	7	YTW36R36REKHT	YTW36RHT	23.41	3.25	0.50	L720	YTW36REHT	2.50	0.88	0.62	L721	BYNA36R15HHT	L720
Parakeet	556.5	24	7	YTW39R43REKHT	YTW39RHT	23.66	3.25	0.50	L722	YTW43REHT	2.50	0.88	0.69	L723	BYNA39R15HHT	L722
Dove	556.5	26	7	YTW39R43REKHT	YTW39RHT	23.66	3.25	0.50	L722	YTW43REHT	2.50	0.88	0.69	L723	BYNA39R15HHT	L722
Peacock	605	24	7	YTW43R43REKHT	YTW43RHT	24.49	3.25	0.50	L724	YTW43REHT	2.50	0.88	0.69	L723	BYNA43R15HHT	L724
Squab	605	26	7	YTW43R43REKHT	YTW43RHT	24.49	3.25	0.50	L724	YTW43REHT	2.50	0.88	0.69	L723	BYNA43R15HHT	L724
Rook	636	24	7	YTW43R43REKHT	YTW43RHT	24.49	3.25	0.50	L724	YTW43REHT	2.50	0.88	0.69	L723	BYNA43R15HHT	L724
Grosbeak	636	26	7	YTW43R43REKHT	YTW43RHT	24.49	3.25	0.50	L724	YTW43REHT	2.50	0.88	0.69	L723	BYNA43R15HHT	L724
Flamingo	666.6	24	7	YTW43R43REKHT	YTW43RHT	24.49	3.25	0.50	L724	YTW43REHT	2.50	0.88	0.69	L723	BYNA43R15HHT	L724
Starling	715.5	26	7	YTW451R48REKHT	YTW451RHT	29.41	3.25	0.50	L725	YTW48REHT	2.69	1.25	0.75	L726	BYNA451R15HHT	L725
Cuckoo	795	24	7	YTW451R45REKHT	YTW451RHT	29.41	3.25	0.50	L725	YTW45REHT	2.69	1.25	0.75	L726	BYNA451R15HHT	L725
Drake	795	26	7	YTW451R48REKHT	YTW451RHT	29.41	3.25	0.50	L725	YTW48REHT	2.69	1.25	0.75	L726	BYNA451R15HHT	L725
Tern	795	45	7	YTW451R481REKHT	YTW451RHT	29.41	3.25	0.50	L725	YTW481REHT	2.69	1.25	0.75	L726	BYNA451R15HHT	L725
Condor	795	54	7	YTW451R45REKHT	YTW451RHT	29.41	3.25	0.50	L725	YTW45REHT	2.69	1.25	0.75	L726	BYNA451R15HHT	L725
Ruddy	900	45	7	YTW48R481REKHT	YTW48RHT	29.50	3.25	0.50	L727	YTW481REHT	2.69	1.25	0.75	L726	BYNA49R15HHT	L727
Rail	954	45	7	YTW48R481REKHT	YTW48RHT	29.50	3.25	0.50	L727	YTW481REHT	2.69	1.25	0.75	L726	BYNA49R15HHT	L727
Cardinal	954	54	7	YTW48R48REKHT	YTW48RHT	29.50	3.25	0.50	L727	YTW48REHT	2.69	1.25	0.75	L726	BYNA49R15HHT	L727
Ortolan	1033.5	45	7	YTW49R483REKHT	YTW49RHT	31.35	3.25	0.50	L727	YTW483REHT	2.69	1.25	1.00	L726	BYNA49R15HHT	L727
Curlew	1033.5	54	7	YTW49R50REKHT	YTW49RHT	31.35	3.25	0.50	L727	YTW50REHT	2.69	1.25	1.00	L726	BYNA49R15HHT	L727
Bluejay	1113	45	7	YTW49R483REKHT	YTW49RHT	31.35	3.25	0.50	L727	YTW483REHT	2.69	1.25	1.00	L726	BYNA49R15HHT	L727
Finch	1113	54	19	YTW52R50REKHT	YTW52RHT	35.55	4.00	0.62	L728	YTW50REHT	2.69	1.25	1.00	L726	BYNA52R15HHT	L728
Bunting	1192.5	45	7	YTW52R521REKHT	YTW52RHT	35.55	4.00	0.62	L728	YTW521REHT	2.69	1.25	1.00	L726	BYNA52R15HHT	L728
Bittern	1272	45	7	YTW52R521REKHT	YTW52RHT	35.55	4.00	0.62	L728	YTW521REHT	2.69	1.25	1.00	L726	BYNA52R15HHT	L728
Pheasant	1272	54	19	YTW52R56REKHT	YTW52RHT	35.55	4.00	0.62	L728	YTW56REHT	2.69	1.25	1.00	L726	BYNA52R15HHT	L728
Dipper	1351.5	45	7	YTW52R521REKHT	YTW52RHT	35.55	4.00	0.62	L728	YTW521REHT	2.69	1.25	1.00	L726	BYNA52R15HHT	L728
Martin	1351.5	54	19	YTW52R56REKHT	YTW52RHT	35.55	4.00	0.62	L728	YTW56REHT	2.69	1.25	1.00	L726	BYNA52R15HHT	L728
Nuthatch	1510.5	45	7	YTW549R521REKHT	YTW549RHT	35.55	4.00	0.62	L729	YTW521REHT	2.69	1.25	1.00	L726	BYNA56R15HHT	L729
Parrot	1510.5	54	19	YTW549R56REKHT	YTW549RHT	35.55	4.00	0.62	L729	YTW56REHT	2.69	1.25	1.00	L726	BYNA56R15HHT	L729
Lapwing	1590	45	7	YTW549R549REKHT	YTW549RHT	35.55	4.00	0.62	L729	YTW549REHT	2.69	1.25	1.00	L726	BYNA56R15HHT	L729
Falcon	1590	54	19	YTW56R590REKHT	YTW56RHT	35.99	4.00	0.62	L729	YTW590REHT	2.69	1.25	1.00	L726	BYNA56R15HHT	L729
Chukar	1780	84	19	YTW58R58REKHT	YTW58RHT	36.99	4.00	0.62	L735	YTW58REHT	2.69	1.25	1.00	L726	BYNA58R15HHT	L735
Bluebird	2156	84	19	YTW59R59REKHT	YTW59RHT	37.34	4.00	0.62	L735	YTW59REHT	2.69	1.25	1.00	L726	BYNA59R15HHT	L735
Kiwi	2167	72	7	YTW59R591REKHT	YTW59RHT	37.34	4.00	0.62	L735	YTW591REHT	2.69	1.25	1.00	L726	BYNA59R15HHT	L735

Complete Assembly: Includes Aluminum body, Steel eye, 15 degree terminal and aluminum hardware. For stainless steel hardware add SS to end of catalog number for complete assembly (example: YTW32R34REKHTSS) or to terminal if ordered separately (BYNA32R15HTSSHTSS).

For assembly without terminal and hardware add NT to end of complete assembly catalog number (example: YTW32R34REKHTNT).

† BYNA terminals must be crimped from cable end moving toward pad end.

* Overlap crimps

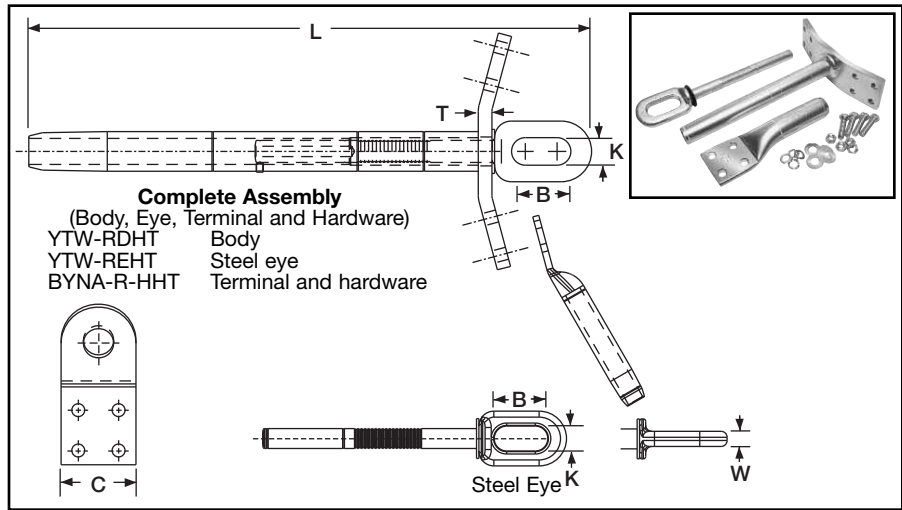
‡ Wide dies may be used, add suffix "W" to part number (example: L725W).

Blue highlighted items are industry standard and most frequently ordered.

TYPES YTW-RD-REKHT, YTW-RDHT, YTW-REHT, BYNA-R-HHT

Double Pad Full Tension Deadend for ACSS Conductor

Full tension compression deadend for 250°C rated ACSS transmission lines up to and including 230 kV. Standard 15° NEMA tap pads provide either 0° or 30° tap when BYNA-R15 terminal is used.



Conductor Name	ACSS		Double Pad		Inches			Body Die* †	Steel Eye	Inches			Eye Die*	Terminal † with Hardware	Term Die* †	
	Size kcmil	Stranding Alum	Stranding Steel	Complete Assembly	Alum. Body	L	C			T	B	K				W
Linnet	336.4	26	7	YTW32RD34REKHT	YTW32RDHT	21.53	3.25	0.50	L717	YTW34REHT	2.50	0.88	0.62	L718	BYNA32R15HHT	L717
Oriole	336.4	30	7	YTW32RD33REKHT	YTW32RDHT	21.53	3.25	0.50	L717	YTW33REHT	2.50	0.88	0.62	L718	BYNA32R15HHT	L717
Ibis	397.5	26	7	YTW34RD34REKHT	YTW34RDHT	21.60	3.25	0.50	L719	YTW34REHT	2.50	0.88	0.62	L718	BYNA34R15HHT	L719
Flicker	477	24	7	YTW36RD362REKHT	YTW36RDHT	23.41	3.25	0.50	L720	YTW362REHT	2.50	0.88	0.62	L721	BYNA36R15HHT	L720
Hawk	477	26	7	YTW36RD36REKHT	YTW36RDHT	23.41	3.25	0.50	L720	YTW36REHT	2.50	0.88	0.62	L721	BYNA36R15HHT	L720
Parakeet	556.5	24	7	YTW39RD43REKHT	YTW39RDHT	23.66	3.25	0.50	L722	YTW43REHT	2.50	0.88	0.69	L723	BYNA39R15HHT	L722
Dove	556.5	26	7	YTW39RD43REKHT	YTW39RDHT	23.66	3.25	0.50	L722	YTW43REHT	2.50	0.88	0.69	L723	BYNA39R15HHT	L722
Peacock	605	24	7	YTW43RD43REKHT	YTW43RDHT	24.49	3.25	0.50	L724	YTW43REHT	2.50	0.88	0.69	L723	BYNA43R15HHT	L724
Squab	605	26	7	YTW43RD43REKHT	YTW43RDHT	20.49	3.25	0.50	L724	YTW43REHT	2.50	0.88	0.69	L723	BYNA43R15HHT	L724
Rook	636	24	7	YTW43RD43REKHT	YTW43RDHT	24.49	3.25	0.50	L724	YTW43REHT	2.50	0.88	0.69	L723	BYNA43R15HT	L724
Grosbeak	636	26	7	YTW43RD43REKHT	YTW43RDHT	24.49	3.25	0.50	L724	YTW43REHT	2.50	0.88	0.69	L723	BYNA43R15HHT	L724
Flamingo	666.6	24	7	YTW43RD43REKHT	YTW43RDHT	24.49	3.25	0.50	L724	YTW43REHT	2.50	0.88	0.69	L723	BYNA43R15HHT	L724
Starling	715.5	26	7	YTW451RD48REKHT	YTW451RDHT	29.41	3.25	0.50	L725	YTW48REHT	2.69	1.25	0.75	L726	BYNA451R15HHT	L725
Cuckoo	795	24	7	YTW451RD45REKHT	YTW451RDHT	29.41	3.25	0.50	L725	YTW45REHT	2.69	1.25	0.75	L726	BYNA451R15HHT	L725
Drake	795	26	7	YTW451RD48REKHT	YTW451RDHT	29.41	3.25	0.50	L725	YTW48REHT	2.69	1.25	0.75	L726	BYNA451R15HHT	L725
Tern	795	45	7	YTW451RD481REKHT	YTW451RDHT	29.41	3.25	0.50	L725	YTW481REHT	2.69	1.25	0.75	L726	BYNA451R15HHT	L725
Condor	795	54	7	YTW451RD45REKHT	YTW451RDHT	29.41	3.25	0.50	L725	YTW45REHT	2.69	1.25	0.75	L726	BYNA451R15HHT	L725
Ruddy	900	45	7	YTW48RD481REKHT	YTW48RDHT	29.50	3.25	0.50	L727	YTW481REHT	2.69	1.25	0.75	L726	BYNA48R15HHT	L727
Rail	954	45	7	YTW48RD481REKHT	YTW48RDHT	29.50	3.25	0.50	L727	YTW481REHT	2.69	1.25	0.75	L726	BYNA48R15HHT	L727
Cardinal	954	54	7	YTW48RD48REKHT	YTW48RDHT	29.50	3.25	0.50	L727	YTW48REHT	2.69	1.25	0.75	L726	BYNA48R15HHT	L727
Ortolan	1033.5	45	7	YTW49RD483REKHT	YTW49RDHT	31.35	3.25	0.50	L727	YTW483REHT	2.69	1.25	1.00	L726	BYNA49R15HHT	L727
Curlew	1033.5	54	7	YTW49RD50REKHT	YTW49RDHT	31.35	3.25	0.50	L727	YTW50REHT	2.69	1.25	1.00	L726	BYNA49R15HHT	L727
Bluejay	1113	45	7	YTW49RD483REKHT	YTW49RDHT	31.35	3.25	0.50	L727	YTW483REHT	2.69	1.25	1.00	L726	BYNA49R15HHT	L727
Finch	1113	54	19	YTW52RD50REKHT	YTW52RDHT	35.55	3.25	0.50	L728	YTW50REHT	2.69	1.25	1.00	L726	BYNA52R15HHT	L728
Bunting	1192.5	45	7	YTW52RD521REKHT	YTW52RDHT	35.55	4.00	0.62	L728	YTW521REHT	2.69	1.25	1.00	L726	BYNA52R15HHT	L728
Bittern	1272	45	7	YTW52RD521REKHT	YTW52RDHT	35.55	4.00	0.62	L728	YTW521REHT	2.69	1.25	1.00	L726	BYNA52R15HHT	L728
Pheasant	1272	54	19	YTW52RD56REKHT	YTW52RDHT	35.55	4.00	0.62	L728	YTW56REHT	2.69	1.25	1.00	L726	BYNA52R15HHT	L728
Dipper	1351.5	45	7	YTW52RD521REKHT	YTW52RDHT	35.55	4.00	0.62	L728	YTW521REHT	2.69	1.25	1.00	L726	BYNA52R15HHT	L728
Martin	1351.5	54	19	YTW52RD56REKHT	YTW52RDHT	35.55	4.00	0.62	L728	YTW56REHT	2.69	1.25	1.00	L726	BYNA52R15HHT	L728
Nuthatch	1510.5	45	7	YTW549RD521REKHT	YTW549RDHT	35.55	4.00	0.62	L729	YTW521REHT	2.69	1.25	1.00	L726	BYNA56R15HHT	L729
Parrot	1510.5	54	19	YTW549RD56REKHT	YTW549RDHT	35.55	4.00	0.62	L729	YTW56REHT	2.69	1.25	1.00	L726	BYNA56R15HHT	L729
Lapwing	1590	45	7	YTW549RD549REKHT	YTW549RDHT	35.55	4.00	0.62	L729	YTW549REHT	2.69	1.25	1.00	L726	BYNA56R15HHT	L729
Falcon	1590	54	19	YTW56RD590REKHT	YTW56RDHT	35.99	4.00	0.62	L729	YTW590REHT	2.69	1.25	1.00	L726	BYNA56R15HHT	L729
Chukar	1780	84	19	YTW58RD58REKHT	YTW58RDHT	36.99	4.00	0.62	L735	YTW58REHT	2.69	1.25	1.00	L726	BYNA58R15HHT	L735
Bluebird	2156	84	19	YTW59RD59REKHT	YTW59RDHT	37.34	4.00	0.62	L735	YTW59REHT	2.69	1.25	1.00	L726	BYNA59R15HHT	L735
Kiwi	2167	72	7	YTW59RD591REKHT	YTW59RDHT	37.34	4.00	0.62	L735	YTW591REHT	2.69	1.25	1.00	L726	BYNA59R15HHT	L735

Complete Assembly: Includes Aluminum body, Steel eye, 15 degree terminal and aluminum hardware. For stainless steel hardware add SS to end of catalog number for complete assembly (example: YTW32R34REKHTSS) or to terminal if ordered separately (BYNA32R15HTSSHTSS).

For assembly without terminal and hardware add NT to end of complete assembly catalog number (example: YTW32R34REKHTNT).

† BYNA terminals must be crimped from cable end moving toward pad end.

* Overlap crimps

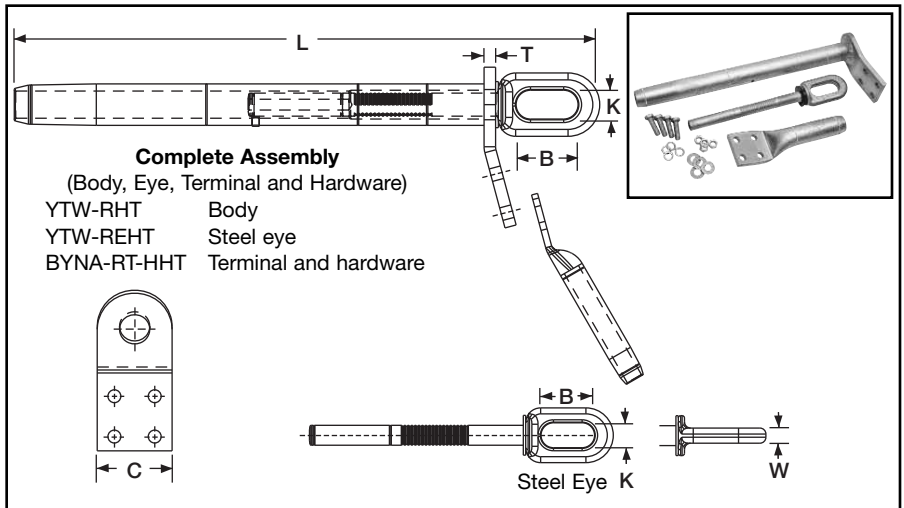
‡ Wide dies may be used, add suffix "W" to part number (example: L725W).

Blue highlighted items are industry standard and most frequently ordered.

TYPES
YTW-RT-REKHT,
YTW-RTHT, YTW-REHT,
BYNA-RT-HHT EHV

Single Pad, EHV
Full Tension Deadend
for ACSS Conductor

Full tension compression deadend for 250°C rated ACSS transmission lines at 345 kV and over. Standard 15° NEMA tap pad provides either 0° or 30° tap when BYNA-RT15 terminal is used.



Conductor Name	ACSS			Single Pad		Inches			Body Die*†	Steel Eye	Inches			Eye Die*	Terminal † with Hardware	Term Die*‡
	Size kcmil	Stranding Alum	Steel	Complete Assembly	Alum. Body	L	C	T			B	K	W			
Linnet	336.4	26	7	YTW32RT34REKHT	YTW32RTHT	21.53	3.25	0.50	L717	YTW34REHT	2.50	0.88	0.62	L718	BYNA32RT15HHT	L717
Oriole	336.4	30	7	YTW32RT33REKHT	YTW32RTHT	21.53	3.25	0.50	L717	YTW33REHT	2.50	0.88	0.62	L718	BYNA32RT15HHT	L717
Ibis	397.5	26	7	YTW34RT34REKHT	YTW34RTHT	21.60	3.25	0.50	L719	YTW34REHT	2.50	0.88	0.62	L718	BYNA34RT15HHT	L719
Flicker	477	24	7	YTW36RT362REKHT	YTW36RTHT	23.41	3.25	0.50	L720	YTW362REHT	2.50	0.88	0.62	L721	BYNA36RT15HHT	L720
Hawk	477	26	7	YTW36RT36REKHT	YTW36RTHT	23.41	3.25	0.50	L720	YTW36REHT	2.50	0.88	0.62	L721	BYNA36RT15HHT	L720
Parakeet	556.5	24	7	YTW39RT43REKHT	YTW39RTHT	23.66	3.25	0.50	L722	YTW43REHT	2.50	0.88	0.69	L723	BYNA39RT15HHT	L722
Dove	556.5	26	7	YTW39RT43REKHT	YTW39RTHT	23.66	3.25	0.50	L722	YTW43REHT	2.50	0.88	0.69	L723	BYNA39RT15HHT	L722
Peacock	605	24	7	YTW43RT43REKHT	YTW43RTHT	24.49	3.25	0.50	L724	YTW43REHT	2.50	0.88	0.69	L723	BYNA43RT15HHT	L724
Squab	605	26	7	YTW43RT43REKHT	YTW43RTHT	24.49	3.25	0.50	L724	YTW43REHT	2.50	0.88	0.69	L723	BYNA43RT15HHT	L724
Rook	636	24	7	YTW43RT43REKHT	YTW43RTHT	24.49	3.25	0.50	L724	YTW43REHT	2.50	0.88	0.69	L723	BYNA43RT15HHT	L724
Grosbeak	636	26	7	YTW43RT43REKHT	YTW43RTHT	24.49	3.25	0.50	L724	YTW43REHT	2.50	0.88	0.69	L723	BYNA43RT15HHT	L724
Flamingo	666.6	24	7	YTW43RT43REKHT	YTW43RTHT	24.49	3.25	0.50	L724	YTW43REHT	2.50	0.88	0.69	L723	BYNA43RT15HHT	L724
Starling	715.5	26	7	YTW451RT48REKHT	YTW451RTHT	29.41	3.25	0.50	L725	YTW48REHT	2.69	1.25	0.75	L726	BYNA451RT15HHT	L725
Cuckoo	795	24	7	YTW451RT45REKHT	YTW451RTHT	29.41	3.25	0.50	L725	YTW45REHT	2.69	1.25	0.75	L726	BYNA451RT15HHT	L725
Drake	795	26	7	YTW451RT48REKHT	YTW451RTHT	29.41	3.25	0.50	L725	YTW48REHT	2.69	1.25	0.75	L726	BYNA451RT15HHT	L725
Tern	795	45	7	YTW451RT481REKHT	YTW451RTHT	29.41	3.25	0.50	L725	YTW481REHT	2.69	1.25	0.75	L726	BYNA451RT15HHT	L725
Condor	795	54	7	YTW451RT45REKHT	YTW451RTHT	29.41	3.25	0.50	L725	YTW45REHT	2.69	1.25	0.75	L726	BYNA451RT15HHT	L725
Ruddy	900	45	7	YTW48RT481REKHT	YTW48RTHT	29.50	3.25	0.50	L727	YTW481REHT	2.69	1.25	0.75	L726	BYNA48RT15HHT	L727
Rail	954	45	7	YTW48RT481REKHT	YTW48RTHT	29.50	3.25	0.50	L727	YTW481REHT	2.69	1.25	0.75	L726	BYNA48RT15HHT	L727
Cardinal	954	54	7	YTW48RT48REKHT	YTW48RTHT	29.50	3.25	0.50	L727	YTW48REHT	2.69	1.25	0.75	L726	BYNA48RT15HHT	L727
Ortolan	1033.5	45	7	YTW49RT483REKHT	YTW49RTHT	31.35	3.25	0.50	L727	YTW483REHT	2.69	1.25	1.00	L726	BYNA49RT15HHT	L727
Curlew	1033.5	54	7	YTW49RT50REKHT	YTW49RTHT	31.35	3.25	0.50	L727	YTW50REHT	2.69	1.25	1.00	L726	BYNA49RT15HHT	L727
Bluejay	1113	45	7	YTW49RT483REKHT	YTW49RTHT	31.35	3.25	0.50	L727	YTW483REHT	2.69	1.25	1.00	L726	BYNA49RT15HHT	L727
Finch	1113	54	19	YTW52RT50REKHT	YTW52RHT	35.55	3.25	0.50	L728	YTW50REHT	2.69	1.25	1.00	L726	BYNA52RT15HHT	L728
Bunting	1192.5	45	7	YTW52RT521REKHT	YTW52RTH	35.55	4.00	0.62	L728	YTW521REHT	2.69	1.25	1.00	L726	BYNA52RT15HHT	L728
Bittern	1272	45	7	YTW52RT521REKHT	YTW52RTH	35.55	4.00	0.62	L728	YTW521REHT	2.69	1.25	1.00	L726	BYNA52RT15HHT	L728
Pheasant	1272	54	19	YTW52RT56REKHT	YTW52RTH	35.55	4.00	0.62	L728	YTW56REHT	2.69	1.25	1.00	L726	BYNA52RT15HHT	L728
Dipper	1351.5	45	7	YTW52RT521REKHT	YTW52RTH	35.55	4.00	0.62	L728	YTW521REHT	2.69	1.25	1.00	L726	BYNA52RT15HHT	L728
Martin	1351.5	54	19	YTW52RT56REKHT	YTW52RTH	35.55	4.00	0.62	L728	YTW56REHT	2.69	1.25	1.00	L726	BYNA52RT15HHT	L728
Nuthatch	1510.5	45	7	YTW549RT521REKHT	YTW549RTH	35.55	4.00	0.62	L729	YTW521REHT	2.69	1.25	1.00	L726	BYNA549RT15HHT	L729
Parrot	1510.5	54	19	YTW549RT56REKHT	YTW549RTH	35.55	4.00	0.62	L729	YTW56REHT	2.69	1.25	1.00	L726	BYNA56RT15HHT	L729
Lapwing	1590	45	7	YTW549RT549REKHT	YTW549RTH	35.55	4.00	0.62	L729	YTW549REHT	2.69	1.25	1.00	L726	BYNA56RT15HHT	L729
Falcon	1590	54	19	YTW56RT590REKHT	YTW56RTH	35.99	4.00	0.62	L729	YTW590REHT	2.69	1.25	1.00	L726	BYNA56RT15HHT	L729
Chukar	1780	84	19	YTW58RT58REKHT	YTW58RTH	36.99	4.00	0.62	L735	YTW58REHT	2.69	1.25	1.00	L726	BYNA58RT15HHT	L735
Bluebird	2156	84	19	YTW59RT59REKHT	YTW59RTH	37.34	4.00	0.62	L735	YTW59REHT	2.69	1.25	1.00	L726	BYNA59RT15HHT	L735
Kiwi	2167	72	7	YTW59RT591REKHT	YTW59RTH	37.34	4.00	0.62	L735	YTW591REHT	2.69	1.25	1.00	L726	BYNA59RT15HHT	L735

Complete Assembly: Includes Aluminum body, Steel eye, 15 degree terminal and aluminum hardware. For stainless steel hardware add SS to end of catalog number for complete assembly (example: YTW32R34REKHTSS) or to terminal if ordered separately (BYNA32R15HTSSHTSS).

For assembly without terminal and hardware add NT to end of complete assembly catalog number (example: YTW32R34REKHTNT).
† BYNA terminals must be crimped from cable end moving toward pad end.

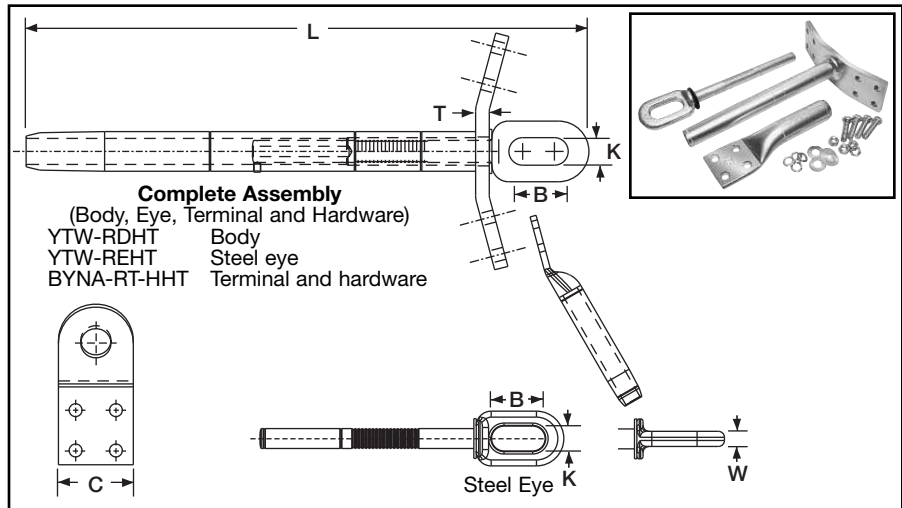
* Overlap crimps
‡ Wide dies may be used, add suffix "W" to part number (example: L725W).

Blue highlighted items are industry standard and most frequently ordered.

TYPES YTW-RDT-REKHT, YTW-RDTHT, BYNA-RT-HHT EHV

Double Pad, EHV Full Tension Deadend for ACSS Conductor

Full tension compression deadend for 250°C rated ACSS transmission lines at 345 kV and over. Standard 15° NEMA tap pad provides either 0° or 30° tap when BYNA-R15 terminal is used.



Conductor Name	ACSS		Double Pad		Inches			Body Die*‡	Steel Eye	Inches			Eye Die*	Terminal † with Hardware	Term Die*‡	
	Size kcmil	Stranding Alum	Stranding Steel	Complete Assembly	Alum. Body	L	C			T	B	K				W
Linnet	336.4	26	7	YTW32RDT34REKHT	YTW32RDTHT	21.53	3.25	0.50	L717	YTW34REHT	2.50	0.88	0.62	L718	BYNA32RT15HHT	L717
Oriole	336.4	30	7	YTW32RDT33REKHT	YTW32RDTHT	21.53	3.25	0.50	L717	YTW33REHT	2.50	0.88	0.62	L718	BYNA32RT15HHT	L717
Ibis	397.5	26	7	YTW34RDT34REKHT	YTW34RDTHT	21.60	3.25	0.50	L719	YTW34REHT	2.50	0.88	0.62	L718	BYNA34RT15HHT	L719
Flicker	477	24	7	YTW36RDT36REKHT	YTW36RDTHT	23.41	3.25	0.50	L720	YTW36REHT	2.50	0.88	0.62	L721	BYNA36RT15HHT	L720
Hawk	477	26	7	YTW36RDT36REKHT	YTW36RDTHT	23.41	3.25	0.50	L720	YTW36REHT	2.50	0.88	0.62	L721	BYNA36RT15HHT	L720
Parakeet	556.5	24	7	YTW39RDT43REKHT	YTW39RDTHT	23.66	3.25	0.50	L722	YTW43REHT	2.50	0.88	0.69	L723	BYNA39RT15HHT	L722
Dove	556.5	26	7	YTW39RDT43REKHT	YTW39RDTHT	23.66	3.25	0.50	L722	YTW43REHT	2.50	0.88	0.69	L723	BYNA39RT15HHT	L722
Peacock	605	24	7	YTW43RDT43REKHT	YTW43RDTHT	24.49	3.25	0.50	L724	YTW43REHT	2.50	0.88	0.69	L723	BYNA43RT15HHT	L724
Squab	605	26	7	YTW43RDT43REKHT	YTW43RDTHT	20.49	3.25	0.50	L724	YTW43REHT	2.50	0.88	0.69	L723	BYNA43RT15HHT	L724
Rook	636	24	7	YTW43RDT43REKHT	YTW43RDTHT	24.49	3.25	0.50	L724	YTW43REHT	2.50	0.88	0.69	L723	BYNA43RT15HHT	L724
Grosbeak	636	26	7	YTW43RDT43REKHT	YTW43RDTHT	24.49	3.25	0.50	L724	YTW43REHT	2.50	0.88	0.69	L723	BYNA43RT15HHT	L724
Flamingo	666.6	24	7	YTW43RDT43REKHT	YTW43RDTHT	24.49	3.25	0.50	L724	YTW43REHT	2.50	0.88	0.69	L723	BYNA43RT15HHT	L724
Starling	715.5	26	7	YTW451RDT48REKHT	YTW451RDTHT	29.41	3.25	0.50	L725	YTW48REHT	2.69	1.25	0.75	L726	BYNA451RT15HHT	L725
Cuckoo	795	24	7	YTW451RDT45REKHT	YTW451RDTHT	29.41	3.25	0.50	L725	YTW45REHT	2.69	1.25	0.75	L726	BYNA451RT15HHT	L725
Drake	795	26	7	YTW451RDT48REKHT	YTW451RDTHT	29.41	3.25	0.50	L725	YTW48REHT	2.69	1.25	0.75	L726	BYNA451RT15HHT	L725
Tern	795	45	7	YTW451RDT481REKHT	YTW451RDTHT	29.41	3.25	0.50	L725	YTW481REHT	2.69	1.25	0.75	L726	BYNA451RT15HHT	L725
Condor	795	54	7	YTW451RDT45REKHT	YTW451RDTHT	29.41	3.25	0.50	L725	YTW45REHT	2.69	1.25	0.75	L726	BYNA451RT15HHT	L725
Ruddy	900	45	7	YTW48RDT481REKHT	YTW48RDTHT	29.50	3.25	0.50	L727	YTW481REHT	2.69	1.25	0.75	L726	BYNA49RT15HHT	L727
Rail	954	45	7	YTW48RDT481REKHT	YTW48RDTHT	29.50	3.25	0.50	L727	YTW481REHT	2.69	1.25	0.75	L726	BYNA49RT15HHT	L727
Cardinal	954	54	7	YTW48RDT48REKHT	YTW48RDTHT	29.50	3.25	0.50	L727	YTW48REHT	2.69	1.25	0.75	L726	BYNA49RT15HHT	L727
Ortolan	1033.5	45	7	YTW49RDT483REKHT	YTW49RDTHT	31.35	3.25	0.50	L727	YTW483REHT	2.69	1.25	1.00	L726	BYNA49RT15HHT	L727
Curlew	1033.5	54	7	YTW49RDT50REKHT	YTW49RDTHT	31.35	3.25	0.50	L727	YTW50REHT	2.69	1.25	1.00	L726	BYNA49RT15HHT	L727
Bluejay	1113	45	7	YTW49RDT483REKHT	YTW49RDTHT	31.35	3.25	0.50	L727	YTW483REHT	2.69	1.25	1.00	L726	BYNA49RT15HHT	L727
Finch	1113	54	19	YTW52RDT50REKHT	YTW52RDTHT	35.55	3.25	0.50	L728	YTW50REHT	2.69	1.25	1.00	L726	BYNA52RT15HHT	L728
Bunting	1192.5	45	7	YTW52RDT521REKHT	YTW52RDTHT	35.55	4.00	0.62	L728	YTW521REHT	2.69	1.25	1.00	L726	BYNA52RT15HHT	L728
Bittern	1272	45	7	YTW52RDT521REKHT	YTW52RDTHT	35.55	4.00	0.62	L728	YTW521REHT	2.69	1.25	1.00	L726	BYNA52RT15HHT	L728
Pheasant	1272	54	19	YTW52RDT56REKHT	YTW52RDTHT	35.55	4.00	0.62	L728	YTW56REHT	2.69	1.25	1.00	L726	BYNA52RT15HHT	L728
Dipper	1351.5	45	7	YTW52RDT521REKHT	YTW52RDTHT	35.55	4.00	0.62	L728	YTW521REHT	2.69	1.25	1.00	L726	BYNA52RT15HHT	L728
Martin	1351.5	54	19	YTW52RDT56REKHT	YTW52RDTHT	35.55	4.00	0.62	L728	YTW56REHT	2.69	1.25	1.00	L726	BYNA52RT15HHT	L728
Nuthatch	1510.5	45	7	YTW549RDT521REKHT	YTW549RDTHT	35.55	4.00	0.62	L729	YTW521REHT	2.69	1.25	1.00	L726	BYNA56RT15HHT	L729
Parrot	1510.5	54	19	YTW549RDT56REKHT	YTW549RDTHT	35.55	4.00	0.62	L729	YTW56REHT	2.69	1.25	1.00	L726	BYNA56RT15HHT	L729
Lapwing	1590	45	7	YTW549RDT549REKHT	YTW549RDTHT	35.55	4.00	0.62	L729	YTW549REHT	2.69	1.25	1.00	L726	BYNA56RT15HHT	L729
Falcon	1590	54	19	YTW56RDT590REKHT	YTW56RDTHT	35.99	4.00	0.62	L729	YTW590REHT	2.69	1.25	1.00	L726	BYNA56RT15HHT	L729
Chukar	1780	84	19	YTW58RDT58REKHT	YTW58RDTHT	36.99	4.00	0.62	L735	YTW58REHT	2.69	1.25	1.00	L726	BYNA58RT15HHT	L735
Bluebird	2156	84	19	YTW59RDT59REKHT	YTW59RDTHT	37.34	4.00	0.62	L735	YTW59REHT	2.69	1.25	1.00	L726	BYNA59RT15HHT	L735
Kiwi	2167	72	7	YTW59RDT591REKHT	YTW59RDTHT	37.34	4.00	0.62	L735	YTW591REHT	2.69	1.25	1.00	L726	BYNA59RT15HHT	L735

Complete Assembly: Includes Aluminum body, Steel eye, 15 degree terminal and aluminum hardware. For stainless steel hardware add SS to end of catalog number for complete assembly (example: YTW32R34REKHTSS) or to terminal if ordered separately (BYNA32R15HTSSHTSS).

For assembly without terminal and hardware add NT to end of complete assembly catalog number (example: YTW32R34REKHTNT).

† BYNA terminals must be crimped from cable end moving toward pad end.

* Overlap crimps

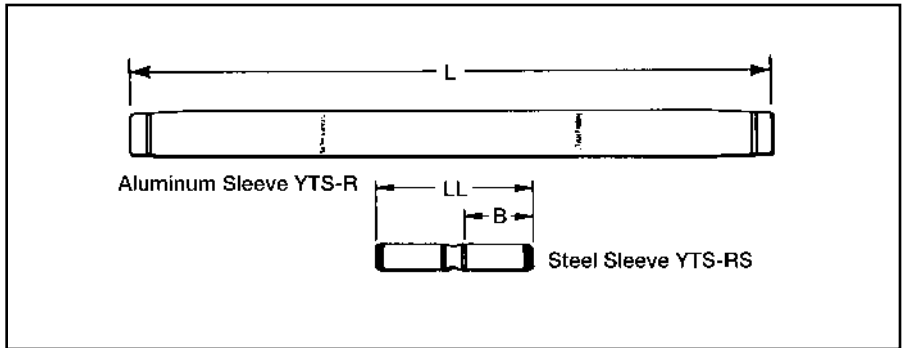
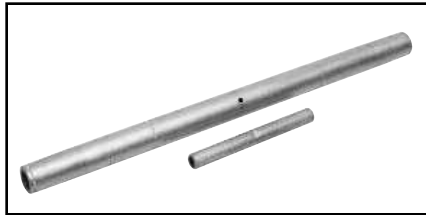
‡ Wide dies may be used, add suffix "W" to part number (example: L725W).

Blue highlighted items are industry standard and most frequently ordered.

TYPE YTS-R-RSHT

Full Tension Splice Kit for ACSS Conductor

Full tension, two-piece, compression splice for 250°C ACSS transmission lines up to and including 230 kV. Outer aluminum sleeve has filler hole and plug for PENETROX™ joint compound. Kit includes the outer aluminum and inner steel sleeve.



Conductor Name	ACSS		Splice Kit	Aluminum Sleeve			Steel Sleeve			
	Size kcmil	Stranding		Inches		Die*‡	Inches		Die*	
		Alum.		Steel	L		O.D.	LL		B
Linnet	336.4	26	7	YTS32R34RSHT	25.30	1.19	L717	5-1/4"	2.64	L718
Ibis	397.5	26	7	YTS34R34RSHT	25.20	1.28	L719	5-1/4"	2.64	L718
Flicker	477	24	7	YTS36R362RSHT	26.16	1.41	L720	5-7/8"	2.66	L721
Hawk	477	26	7	YTS36R36RSHT	26.16	1.41	L720	5-7/8"	2.66	L721
Parakeet	556.5	24	7	YTS39R43RSHT	27.88	1.50	L722	5-7/8"	2.66	L723
Dove	556.5	26	7	YTS39R43RSHT	27.88	1.50	L722	5-7/8"	2.66	L723
Peacock	605	24	7	YTS43R43RSHT	29.44	1.61	L724	5-7/8"	2.66	L723
Squab	605	26	7	YTS43R43RSHT	29.44	1.61	L724	5-7/8"	2.66	L723
Rook	636	24	7	YTS43R43RSHT	29.44	1.61	L724	5-7/8"	2.66	L723
Grosbeak	636	26	7	YTS43R43RSHT	29.44	1.61	L724	5-7/8"	2.66	L723
Flamingo	666.6	24	7	YTS43R43RSHT	29.44	1.61	L724	5-7/8"	2.66	L723
Starling	715.5	26	7	YTS451R48RSHT	36.00	1.80	L725	9"	4.19	L726
Cuckoo	795	24	7	YTS451R449RSHT	36.00	1.80	L725	9"	4.19	L726
Drake	795	26	7	YTS451R48RSHT	36.00	1.80	L725	9"	4.19	L726
Tern	795	45	7	YTS451R48RSHT	36.00	1.80	L725	9-1/8"	4.19	L726
Condor	795	54	7	YTS451R449RSHT	36.00	1.80	L725	9"	4.19	L726
Rail	954	45	7	YTS48R481RSHT	36.00	1.97	L727	9-1/8"	4.19	L726
Cardinal	954	54	7	YTS48R48RSHT	36.00	1.97	L727	9"	4.19	L726
Ortolan	1033.5	45	7	YTS49R483RSHT	36.00	1.97	L727	9-1/8"	4.19	L726
Curlew	1033.5	54	7	YTS49R48RSHT	36.00	1.97	L727	9"	4.19	L726
Bluejay	1113	45	7	YTS49R483RSHT	36.00	1.97	L727	9-1/8"	4.19	L726
Finch	1113	54	19	YTS52R48RSHT	49.07	2.25	L728	9"	4.19	L726
Bunting	1192.5	45	7	YTS52R521RSHT	49.07	2.25	L728	9"	4.19	L726
Bittern	1272	45	7	YTS52R521RSHT	49.07	2.25	L728	9"	4.19	L726
Pheasant	1272	54	19	YTS52R59RSHT	49.07	2.25	L728	9-1/8"	4.25	L726
Dipper	1351.5	45	7	YTS52R521RSHT	49.07	2.25	L728	9"	4.19	L726
Martin	1351.5	54	19	YTS52R59RSHT	49.07	2.25	L728	9-1/8"	4.25	L726
Nuthatch	1510.5	45	7	YTS549R521RSHT	39.73	2.50	L729	9"	4.19	L726
Parrot	1510.5	54	19	YTS549R59RSHT	39.73	2.50	L729	9-1/8"	4.25	L726
Lapwing	1590	45	7	YTS549R549RSHT	39.73	2.50	L729	9"	4.19	L726
Falcon	1590	54	19	YTS56R59RSHT	39.73	2.50	L729	9-1/8"	4.25	L726
Chukar	1780	84	19	YTS58R48RSHT	42.20	2.50	L735	4-1/4"	4.19	L726
Bluebird	2156	84	19	YTS59R59RSHT	49.93	2.50	L735	4-1/4"	4.25	L726
Kiwi	2167	72	7	YTS59R521RSHT	49.93	2.50	L735	4-1/4"	4.19	L726

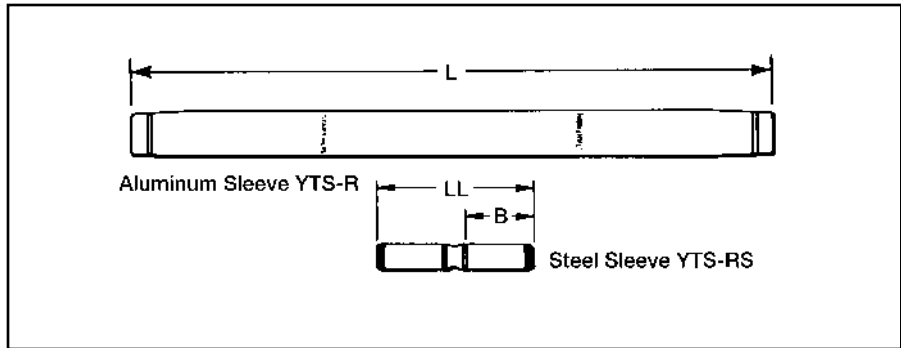
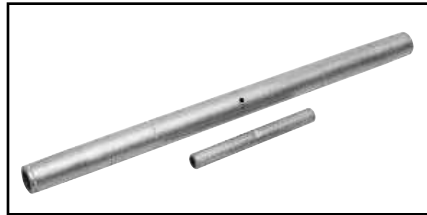
Splice Kit: Includes aluminum sleeve and steel sleeve.
* Overlap crimps,
‡ Wide dies may be used, add suffix "W" to part number (example: L725W).

Blue highlighted items are industry standard and most frequently ordered.

TYPE YTS-RT-RSHT EHV

Full Tension Splice Kit for ACSS Conductor

Full tension, two-piece, compression splice for 250°C ACSS transmission lines at 345 kV and over. Outer aluminum sleeve has filler hole and plug for PENETROX™ joint compound. Kit includes the outer aluminum and inner steel sleeve.



I-36

Conductor Name	ACSS		Splice Kit	Aluminum Sleeve			Steel Sleeve			
	Size kcmil	Stranding		Inches		Die*‡	Inches		Die*	
		Alum.		Steel	L		O.D.	LL		B
Linnet	336.4	26	7	YTS32RT34RSHT	25.30	1.19	L717	5.75	2.64	L718
Oriole	336.4	30	7	YTS32RT33RSHT	25.30	1.19	L717	5.75	2.64	L718
Ibis	397.5	26	7	YTS34RT34RSHT	25.20	1.28	L719	5.75	2.64	L718
Flicker	477	24	7	YTS36RT362RSHT	26.16	1.41	L720	5.75	2.66	L721
Hawk	477	26	7	YTS36RT36RSHT	26.16	1.41	L720	5.75	2.66	L721
Parakeet	556.5	24	7	YTS39RT43RSHT	27.88	1.50	L722	5.90	2.66	L723
Dove	556.5	26	7	YTS39RT43RSHT	27.88	1.50	L722	5.90	2.66	L723
Peacock	605	24	7	YTS43RT43RSHT	29.44	1.61	L724	5.90	2.66	L723
Squab	605	26	7	YTS43RT43RSHT	29.44	1.61	L724	5.90	2.66	L723
Rook	636	24	7	YTS43RT43RSHT	29.44	1.61	L724	5.90	2.66	L723
Grosbeak	636	26	7	YTS43RT43RSHT	29.44	1.61	L724	5.90	2.66	L723
Flamingo	666.6	24	7	YTS43RT43RSHT	29.44	1.61	L724	5.90	2.66	L723
Starling	715.5	26	7	YTS451RT48RSHT	36.00	1.80	L725	9.00	4.19	L726
Cuckoo	795	24	7	YTS451RT449RSHT	36.00	1.80	L725	9.00	4.19	L726
Drake	795	26	7	YTS451RT48RSHT	36.00	1.80	L725	9.00	4.19	L726
Tern	795	45	7	YTS451RT48RSHT	36.00	1.80	L725	9.16	4.19	L726
Condor	795	54	7	YTS451RT449RSHT	36.00	1.80	L725	9.00	4.19	L726
Rail	954	45	7	YTS48RT481RSHT	36.00	1.97	L727	9.16	4.19	L726
Cardinal	954	54	7	YTS48RT48RSHT	36.00	1.97	L727	9.00	4.19	L726
Ortolan	1033.5	45	7	YTS49RT483RSHT	36.00	1.97	L727	9.16	4.19	L726
Curlew	1033.5	54	7	YTS49RT48RSHT	36.00	1.97	L727	9.00	4.19	L726
Bluejay	1113	45	7	YTS49RT483RSHT	36.00	1.97	L727	9.16	4.19	L726
Finch	1113	54	19	YTS52RT48RSHT	49.07	2.25	L728	9.00	4.19	L726
Bunting	1192.5	45	7	YTS52RT521RSHT	49.07	2.25	L728	9.00	4.19	L726
Bittern	1272	45	7	YTS52RT521RSHT	49.07	2.25	L728	9.00	4.19	L726
Pheasant	1272	54	19	YTS52RT59RSHT	49.07	2.25	L728	9.10	4.25	L726
Dipper	1351.5	45	7	YTS52RT521RSHT	49.07	2.25	L728	9.00	4.19	L726
Martin	1351.5	54	19	YTS52RT59RSHT	49.07	2.25	L728	9.10	4.25	L726
Nuthatch	1510.5	45	7	YTS549RT521RSHT	39.73	2.50	L729	9.00	4.19	L726
Parrot	1510.5	54	19	YTS549RT59RSHT	39.73	2.50	L729	9.10	4.25	L726
Lapwing	1590	45	7	YTS549RT549RSHT	39.73	2.50	L729	9.00	4.19	L726
Falcon	1590	54	19	YTS56RT59RSHT	39.73	2.50	L729	9.10	4.25	L726
Chukar	1780	84	19	YTS58RT48RSHT	42.20	2.50	L735	9.00	4.19	L726
Bluebird	2156	84	19	YTS59RT59RSHT	49.93	2.50	L735	9.10	4.25	L726
Kiwi	2167	72	7	YTS59RT521RSHT	49.93	2.50	L735	9.00	4.19	L726

Splice Kit: Includes aluminum sleeve and steel sleeve.

* Overlap crimps.

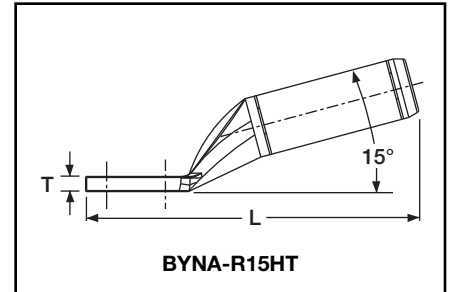
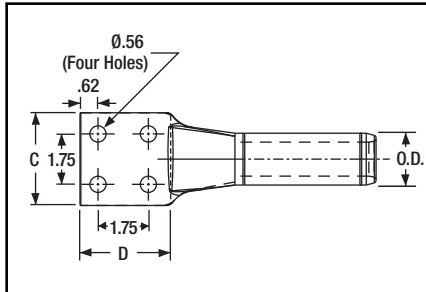
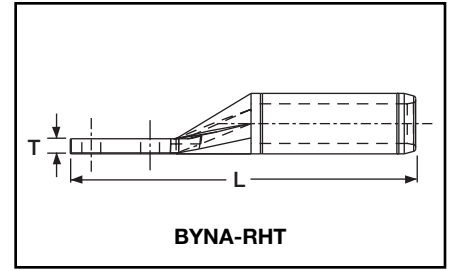
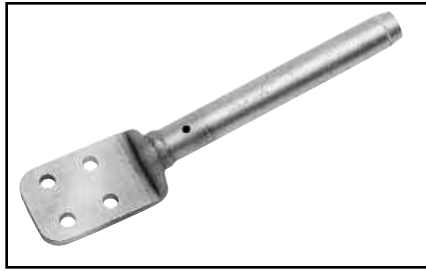
‡ Wide dies may be used, add suffix "W" to part number (example: L725W).

Blue highlighted items are industry standard and most frequently ordered.

**TYPES BYNA-R15HT,
BYNA-RHT**

**Compression Terminal
for ACSS Conductor**

Compression terminal for ACSS transmission lines up to and including 230 kV.



Conductor Name	Size kcmil	ACSS Stranding		15° Terminal		Straight Terminal		Inches			Die*‡
		Alum.	Steel	Catalog Number	Inches L	Catalog Number	Inches L	C	D	T	
Linnet	336.4	26	7	BYNA32R15HT	16.21	BYNA32RHT	16.56	3.25	4.50	0.39	L717
Oriole	336.4	30	7	BYNA32R15HT	16.21	BYNA32RHT	16.56	3.25	4.50	0.39	L717
Ibis	397.5	26	7	BYNA34R15HT	16.24	BYNA34RHT	16.60	3.25	4.50	0.46	L719
Flicker	477	24	7	BYNA36R15HT	16.51	BYNA36RHT	16.92	3.25	4.50	0.48	L720
Hawk	477	26	7	BYNA36R15HT	16.51	BYNA36RHT	16.92	3.25	4.50	0.48	L720
Parakeet	556.5	24	7	BYNA39R15HT	16.89	BYNA39RHT	17.30	3.25	4.50	0.53	L722
Dove	556.5	26	7	BYNA39R15HT	16.89	BYNA39RHT	17.30	3.25	4.50	0.53	L722
Peacock	605	24	7	BYNA43R15HT	14.41	BYNA43RHT	15.46	3.07	3.95	0.36	L724
Squab	605	26	7	BYNA43R15HT	14.41	BYNA43RHT	15.46	3.07	3.95	0.36	L724
Rook	636	24	7	BYNA43R15HT	14.41	BYNA43RHT	15.46	3.07	3.95	0.36	L724
Grosbeak	636	26	7	BYNA43R15HT	14.41	BYNA43RHT	15.46	3.07	3.95	0.36	L724
Flamingo	666.6	24	7	BYNA43R15HT	14.41	BYNA43RHT	15.46	3.07	3.95	0.36	L724
Starling	715.5	26	7	BYNA45R15HT	15.10	BYNA45RHT	15.46	3.22	3.95	0.45	L725
Cuckoo	795	24	7	BYNA45R15HT	15.10	BYNA45RHT	15.46	3.22	3.95	0.45	L725
Drake	795	26	7	BYNA45R15HT	15.10	BYNA45RHT	15.46	3.22	3.95	0.45	L725
Tern	795	45	7	BYNA45R15HT	15.10	BYNA45RHT	15.46	3.22	3.95	0.45	L725
Condor	795	54	7	BYNA45R15HT	15.10	BYNA45RHT	15.46	3.22	3.95	0.45	L725
Ruddy	900	45	7	BYNA49R15HT	15.14	BYNA49RHT	15.66	3.22	3.95	0.52	L727
Rail	954	45	7	BYNA49R15HT	15.14	BYNA49RHT	15.66	3.22	3.95	0.52	L727
Cardinal	954	54	7	BYNA49R15HT	15.14	BYNA49RHT	15.66	3.22	3.95	0.52	L727
Ortolan	1033.5	45	7	BYNA49R15HT	15.14	BYNA49RHT	15.66	3.22	3.95	0.52	L727
Curlew	1033.5	54	7	BYNA49R15HT	15.14	BYNA49RHT	15.66	3.22	3.95	0.52	L727
Bluejay	1113	45	7	BYNA49R15HT	15.14	BYNA49RHT	15.66	3.22	3.95	0.52	L727
Finch	1113	54	19	BYNA52R15HT	16.81	BYNA52RHT	18.71	3.22	3.95	0.71	L728
Bunting	1192.5	45	7	BYNA52R15HT	16.81	BYNA52RHT	18.71	3.22	3.95	0.71	L728
Bittern	1272	45	7	BYNA52R15HT	16.81	BYNA52RHT	18.71	3.22	3.95	0.71	L728
Pheasant	1272	54	19	BYNA52R15HT	16.81	BYNA52RHT	18.71	3.22	3.95	0.71	L728
Dipper	1351.5	45	7	BYNA52R15HT	16.81	BYNA52RHT	18.71	3.22	3.95	0.71	L728
Martin	1351.5	54	19	BYNA52R15HT	16.81	BYNA52RHT	18.71	3.22	3.95	0.71	L728
Nuthatch	1510.5	45	7	BYNA56R15HT	17.56	BYNA56RHT	18.65	3.44	3.95	0.86	L729
Parrot	1510.5	54	19	BYNA56R15HT	17.56	BYNA56RHT	18.65	3.44	3.95	0.86	L729
Lapwing	1590	45	7	BYNA56R15HT	17.56	BYNA56RHT	18.65	3.44	3.95	0.86	L729
Falcon	1590	54	19	BYNA56R15HT	17.56	BYNA56RHT	18.65	3.44	3.95	0.86	L729
Chukar	1780	84	19	BYNA58R15HT	18.28	BYNA58RHT	18.59	3.47	3.95	0.86	L735
Bluebird	2156	84	19	BYNA59R15HT	17.95	BYNA59RHT	18.43	3.57	3.95	0.64	L735
Kiwi	2167	72	7	BYNA59R15HT	17.95	BYNA59RHT	18.43	3.57	3.95	0.64	L735

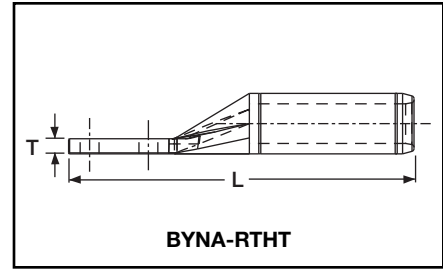
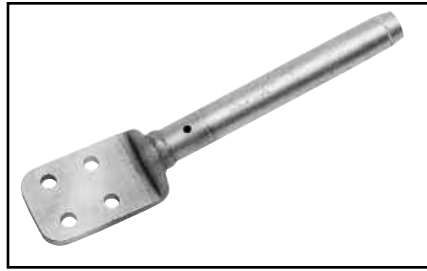
To specify hardware for bolting to corresponding deadends add the suffix "H" to the catalog number (example: BYNA52RHHT).

* Overlap crimps.
‡ Wide dies may be used, add suffix "W" to part number (example: L725W).

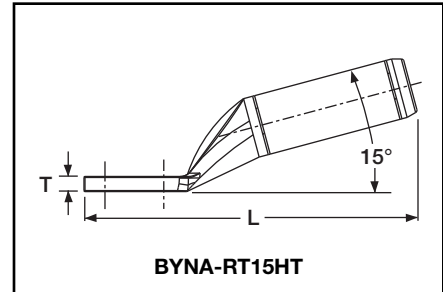
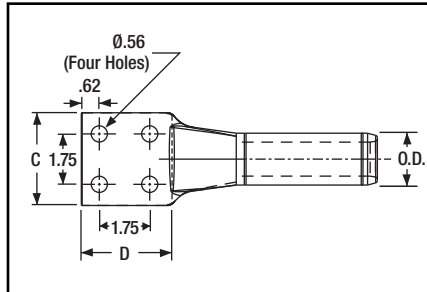
TYPES BYNA-RT15HT, BYNA-RTHT EHV

Compression Terminal for ACSS Conductor

Compression terminal for 250°C ACSS transmission lines at 345 kV and over.



BYNA-RTHT



BYNA-RT15HT

I-38

Conductor Name	ACSS			15° Terminal		Straight Terminal		Inches			Die*‡
	Size kcmil	Stranding		Catalog Number	Inches L	Catalog Number	Inches L	C	D	T	
		Alum.	Steel								
Linnet	336.4	26	7	BYNA32RT15HT	16.41	BYNA32RTHT	16.56	3.25	4.50	0.39	L717
Oriole	336.4	30	7	BYNA32RT15HT	16.41	BYNA32RTHT	16.56	3.25	4.50	0.39	L717
Ibis	397.5	26	7	BYNA34RT15HT	16.45	BYNA34RTHT	16.60	3.25	4.50	0.46	L719
Flicker	477	24	7	BYNA36RT15HT	16.76	BYNA36RTHT	16.92	3.25	4.50	0.48	L720
Hawk	477	26	7	BYNA36RT15HT	16.76	BYNA36RTHT	16.92	3.25	4.50	0.48	L720
Parakeet	556.5	24	7	BYNA39RT15HT	17.12	BYNA39RTHT	17.30	3.25	4.50	0.53	L722
Dove	556.5	26	7	BYNA39RT15HT	17.12	BYNA39RTHT	17.30	3.25	4.50	0.53	L722
Peacock	605	24	7	BYNA43RT15HT	14.41	BYNA43RTHT	15.46	3.07	3.95	0.36	L724
Squab	605	26	7	BYNA43RT15HT	14.41	BYNA43RTHT	15.46	3.07	3.95	0.36	L724
Rook	636	24	7	BYNA43RT15HT	14.41	BYNA43RTHT	15.46	3.07	3.95	0.36	L724
Grosbeak	636	26	7	BYNA43RT15HT	14.41	BYNA43RTHT	15.46	3.07	3.95	0.36	L724
Flamingo	666.6	24	7	BYNA43RT15HT	14.41	BYNA43RTHT	15.46	3.07	3.95	0.36	L724
Starling	715.5	26	7	BYNA451RT15HT	15.10	BYNA451RTHT	15.46	3.22	3.95	0.45	L725
Cuckoo	795	24	7	BYNA451RT15HT	15.10	BYNA451RTHT	15.46	3.22	3.95	0.45	L725
Drake	795	26	7	BYNA451RT15HT	15.10	BYNA451RTHT	15.46	3.22	3.95	0.45	L725
Tern	795	45	7	BYNA451RT15HT	15.10	BYNA451RTHT	15.46	3.22	3.95	0.45	L725
Condor	795	54	7	BYNA451RT15HT	15.10	BYNA451RTHT	15.46	3.22	3.95	0.45	L725
Ruddy	900	45	7	BYNA49RT15HT	15.14	BYNA49RTHT	15.66	3.22	3.95	0.52	L727
Rail	954	45	7	BYNA49RT15HT	15.14	BYNA49RTHT	15.66	3.22	3.95	0.52	L727
Cardinal	954	54	7	BYNA49RT15HT	15.14	BYNA49RTHT	15.66	3.22	3.95	0.52	L727
Ortolan	1033.5	45	7	BYNA49RT15HT	15.14	BYNA49RTHT	15.66	3.22	3.95	0.52	L727
Curlew	1033.5	54	7	BYNA49RT15HT	15.14	BYNA49RTHT	15.66	3.22	3.95	0.52	L727
Bluejay	1113	45	7	BYNA49RT15HT	15.14	BYNA49RTHT	15.66	3.22	3.95	0.52	L727
Finch	1113	54	19	BYNA52RT15HT	16.81	BYNA52RTHT	18.71	3.22	3.95	0.71	L728
Bunting	1192.5	45	7	BYNA52RT15HT	16.81	BYNA52RTHT	18.71	3.22	3.95	0.71	L728
Bittern	1272	45	7	BYNA52RT15HT	16.81	BYNA52RTHT	18.71	3.22	3.95	0.71	L728
Pheasant	1272	54	19	BYNA52RT15HT	16.81	BYNA52RTHT	18.71	3.22	3.95	0.71	L728
Dipper	1351.5	45	7	BYNA52RT15HT	16.81	BYNA52RTHT	18.71	3.22	3.95	0.71	L728
Martin	1351.5	54	19	BYNA52RT15HT	16.81	BYNA52RTHT	18.71	3.22	3.95	0.71	L728
Nuthatch	1510.5	45	7	BYNA56RT15HT	17.56	BYNA56RTHT	18.65	3.44	3.95	0.86	L729
Parrot	1510.5	54	19	BYNA56RT15HT	17.56	BYNA56RTHT	18.65	3.44	3.95	0.86	L729
Lapwing	1590	45	7	BYNA56RT15HT	17.56	BYNA56RTHT	18.65	3.44	3.95	0.86	L729
Falcon	1590	54	19	BYNA56RT15HT	17.56	BYNA56RTHT	18.65	3.44	3.95	0.86	L729
Chukar	1780	84	19	BYNA58RT15HT	18.28	BYNA58RTHT	18.59	3.47	3.95	0.86	L735
Bluebird	2156	84	19	BYNA59RT15HT	17.95	BYNA59RTHT	18.43	3.57	3.95	0.64	L735
Kiwi	2167	72	7	BYNA59RT15HT	17.95	BYNA59RTHT	18.43	3.57	3.95	0.64	L735

To specify hardware for bolting to corresponding deadends add the suffix "H" to the catalog number (example: BYNA52RHHT).

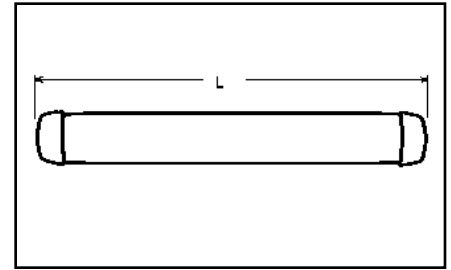
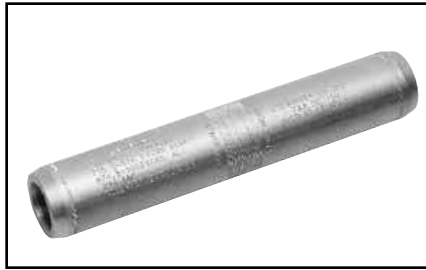
* Overlap crimps.

‡ Wide dies may be used, add suffix "W" to part number (example: L725W).

TYPE BYNS-RHT

**Jumper Loop Sleeve
for ACSS Conductor**

Jumper sleeve for 250°C ACSS transmission lines up to and including 230 kV. Sleeve is pre-filled with PENETROX™ joint compound and capped.



Conductor Name	ACSS		Jumper Sleeve	Inches		
	Size kcmil	Stranding		L	Die*‡	
		Alum.	Steel			
Linnet	336.4	26	7	BYNS32RHT	16.90	L717
Oriole	336.4	30	7	BYNS32RHT	16.90	L717
Ibis	397.5	26	7	BYNS34RHT	17.10	L719
Flicker	477	24	7	BYNS36RHT	17.60	L719
Hawk	477	26	7	BYNS36RHT	17.60	L719
Parakeet	556.5	24	7	BYNS39RHT	18.20	L720
Dove	556.5	26	7	BYNS39RHT	18.20	L720
Peacock	605	24	7	BYNS43RHT	18.50	L722
Squab	605	26	7	BYNS43RHT	18.50	L722
Rook	636	24	7	BYNS43RHT	18.50	L722
Grosbeak	636	26	7	BYNS43RHT	18.50	L722
Flamingo	666.6	24	7	BYNS43RHT	18.50	L722
Starling	715.5	26	7	BYNS451RHT	18.60	L725
Cuckoo	795	24	7	BYNS451RHT	18.60	L725
Drake	795	26	7	BYNS451RHT	18.60	L725
Tern	795	45	7	BYNS451RHT	18.60	L725
Condor	795	54	7	BYNS451RHT	18.60	L725
Ruddy	900	45	7	BYNS49RHT	18.70	L727
Rail	954	45	7	BYNS49RHT	18.70	L727
Cardinal	954	54	7	BYNS49RHT	18.70	L727
Ortolan	1033.5	45	7	BYNS49RHT	18.70	L727
Curlew	1033.5	54	7	BYNS49RHT	18.70	L727
Bluejay	1113	45	7	BYNS49RHT	18.70	L727
Finch	1113	54	19	BYNS52RHT	24.20	L728
Bunting	1192.5	45	7	BYNS52RHT	24.20	L728
Bittern	1272	45	7	BYNS52RHT	24.20	L728
Pheasant	1272	54	19	BYNS52RHT	24.20	L728
Dipper	1351.5	45	7	BYNS52RHT	24.20	L728
Martin	1351.5	54	19	BYNS52RHT	24.20	L728
Nuthatch	1510.5	45	7	BYNS56RHT	23.60	L729
Parrot	1510.5	54	19	BYNS56RHT	23.60	L729
Lapwing	1590	45	7	BYNS56RHT	23.60	L729
Falcon	1590	54	19	BYNS56RHT	23.60	L729
Chukar	1780	84	19	BYNS58RHT	23.40	L735
Bluebird	2156	84	19	BYNS59RHT	23.40	L735
Kiwi	2167	72	7	BYNS59RHT	23.20	L735

* Overlap crimps.

‡ Wide dies may be used, add suffix "W" to part number (example: L725W).

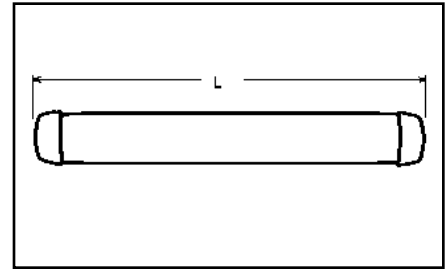
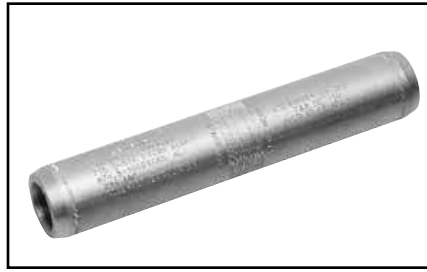
I-39

Blue highlighted items are industry standard and most frequently ordered.

TYPE BYNS-RTHT EHV

Jumper Loop Sleeve for ACSS Conductor

Jumper sleeve for 250°C ACSS transmission lines at 345 kV and over. Sleeve is pre-filled with PENETROX™ joint compound and capped.



I-40

Conductor Name	ACSS		Stranding		Jumper Sleeve	Inches	Die*‡
	Size kcmil	Alum.	Steel	L			
Linnnet	336.4	26	7	BYNS32RTHT	16.90	L717	
Oriole	336.4	30	7	BYNS32RTHT	16.90	L717	
Ibis	397.5	26	7	BYNS34RTHT	17.10	L719	
Flicker	477	24	7	BYNS36RTHT	17.60	L719	
Hawk	477	26	7	BYNS36RTHT	17.60	L719	
Parakeet	556.5	24	7	BYNS39RTHT	18.20	L720	
Dove	556.5	26	7	BYNS39RTHT	18.20	L720	
Peacock	605	24	7	BYNS43RTHT	18.50	L722	
Squab	605	26	7	BYNS43RTHT	18.50	L722	
Rook	636	24	7	BYNS43RTHT	18.50	L722	
Grosbeak	636	26	7	BYNS43RTHT	18.50	L722	
Flamingo	666.6	24	7	BYNS43RTHT	18.50	L722	
Starling	715.5	26	7	BYNS451RTHT	18.60	L725	
Cuckoo	795	24	7	BYNS451RTHT	18.60	L725	
Drake	795	26	7	BYNS451RTHT	18.60	L725	
Tern	795	45	7	BYNS451RTHT	18.60	L725	
Condor	795	54	7	BYNS451RTHT	18.60	L725	
Ruddy	900	45	7	BYNS49RTHT	18.70	L727	
Rail	954	45	7	BYNS49RTHT	18.70	L727	
Cardinal	954	54	7	BYNS49RTHT	18.70	L727	
Ortolan	1033.5	45	7	BYNS49RTHT	18.70	L727	
Curlew	1033.5	54	7	BYNS49RTHT	18.70	L727	
Bluejay	1113	45	7	BYNS49RTHT	18.70	L727	
Finch	1113	54	19	BYNS52RTHT	24.20	L728	
Bunting	1192.5	45	7	BYNS52RTHT	24.20	L728	
Bittern	1272	45	7	BYNS52RTHT	24.20	L728	
Pheasant	1272	54	19	BYNS52RTHT	24.20	L728	
Dipper	1351.5	45	7	BYNS52RTHT	24.20	L728	
Martin	1351.5	54	19	BYNS52RTHT	24.20	L728	
Nuthatch	1510.5	45	7	BYNS56RTHT	23.60	L729	
Parrot	1510.5	54	19	BYNS56RTHT	23.60	L729	
Lapwing	1590	45	7	BYNS56RTHT	23.60	L729	
Falcon	1590	54	19	BYNS56RTHT	23.60	L729	
Chukar	1780	84	19	BYNS58RTHT	23.40	L735	
Bluebird	2156	84	19	BYNS59RTHT	23.40	L735	
Kiwi	2167	72	7	BYNS59RTHT	23.20	L735	

* Overlap crimps.

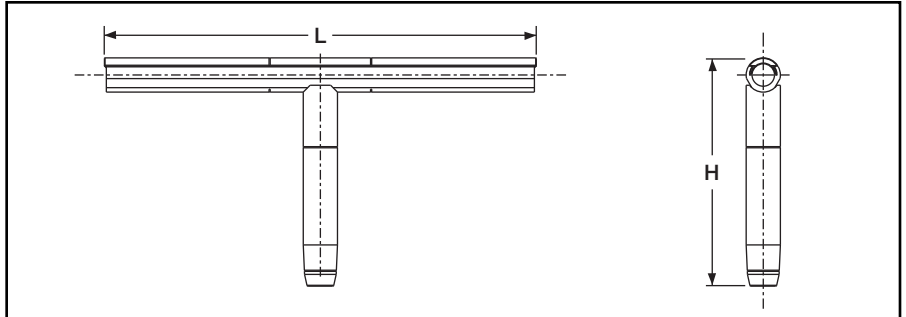
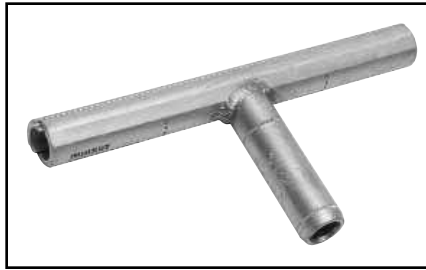
‡ Wide dies may be used, add suffix "W" to part number (example: L725W).

Blue highlighted items are industry standard and most frequently ordered.

TYPE YNT-R-RHT

**Compression T-Tap
for ACSS Conductor**

Two piece compression T-Tap for ACSR transmission lines that include up to 230 kV. Tap element is pre-filled with PENETROX™ joint compound and sealed.



Conductor Name	ACSS		Stranding	T-Tap*	Inches		Die*‡
	Size kcmil	Alum.			Steel	L	
Linnet	336.4	26	7	YNT32R32RHT	23.46	10.39	L717
Oriole	336.4	30	7	YNT32R32RHT	23.46	10.39	L717
Ibis	397.5	26	7	YNT34R34RHT	23.60	10.53	L719
Flicker	477	24	7	YNT36R36RHT	24.29	10.85	L720
Hawk	477	26	7	YNT36R36RHT	24.29	10.85	L720
Parakeet	556.5	24	7	YNT39R39RHT	24.69	11.13	L722
Dove	556.5	26	7	YNT39R39RHT	24.69	11.13	L722
Peacock	605	24	7	YNT43R43RHT	25.48	11.20	L724
Squab	605	26	7	YNT43R43RHT	25.48	11.20	L724
Rook	636	24	7	YNT43R43RHT	25.48	11.20	L724
Grosbeak	636	26	7	YNT43R43RHT	25.48	11.20	L724
Flamingo	666.6	24	7	YNT43R43RHT	25.48	11.20	L724
Starling	715.5	26	7	YNT451R451RHT	25.60	11.70	L725
Cuckoo	795	24	7	YNT451R451RHT	25.60	11.70	L725
Drake	795	26	7	YNT451R451RHT	25.60	11.70	L725
Tern	795	45	7	YNT451R451RHT	25.60	11.70	L725
Condor	795	54	7	YNT451R451RHT	25.60	11.70	L725
Ruddy	900	45	7	YNT49R49RHT	25.66	11.90	L727
Rail	954	45	7	YNT49R49RHT	25.66	11.90	L727
Cardinal	954	54	7	YNT49R49RHT	25.66	11.90	L727
Ortolan	1033.5	45	7	YNT49R49RHT	25.66	11.90	L727
Curlew	1033.5	54	7	YNT49R49RHT	25.66	11.90	L727
Bluejay	1113	45	7	YNT49R49RHT	25.66	11.90	L727
Finch	1113	54	19	YNT52R52RHT	29.61	15.10	L728
Bunting	1192.5	45	7	YNT52R52RHT	29.61	15.10	L728
Bittern	1272	45	7	YNT52R52RHT	29.61	15.10	L728
Pheasant	1272	54	19	YNT52R52RHT	29.61	15.10	L728
Dipper	1351.5	45	7	YNT52R52RHT	29.61	15.10	L728
Martin	1351.5	54	19	YNT52R52RHT	29.61	15.10	L728
Nuthatch	1510.5	45	7	YNT56R56RHT	31.65	15.08	L729
Parrot	1510.5	54	19	YNT56R56RHT	31.65	15.08	L729
Lapwing	1590	45	7	YNT56R56RHT	31.65	15.08	L729
Falcon	1590	54	19	YNT56R56RHT	31.65	15.08	L729
Chukar	1780	84	19	YNT58R58RHT	31.53	15.02	L735
Bluebird	2156	84	19	YNT59R59RHT	31.21	14.86	L735
Kiwi	2167	72	7	YNT59R59RHT	31.21	14.86	L735

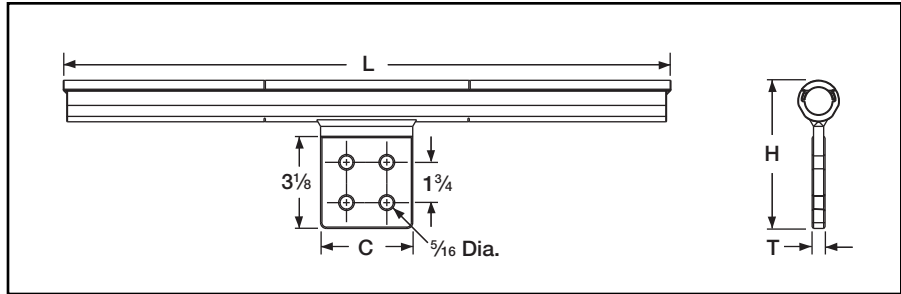
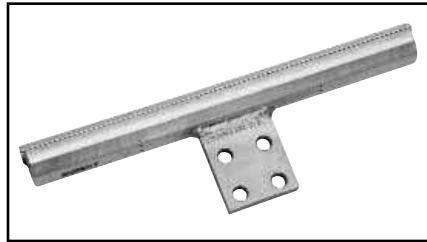
* Overlap crimps.
‡ Wide dies may be used, add suffix "W" to part number (example: L725W).

For EHV applications add "T" to the catalog number (example: YNT49R49RHTT).

TYPE YNTA-RHT

T-Tap with Pad for ACSS Conductor

Two piece compression T-Tap to a NEMA pad for ACSS transmission lines. Up to and including 230 kV.



I-42

Conductor Name	ACSS		Stranding	T-Tap with Pad	Inches				Die*‡
	Size kcmil	Alum.			Steel	L	C	H	
Linnet	336.4	26	7	YNTA32RHT	23.46	3.25	4.94	0.50	L717
Oriole	336.4	30	7	YNTA32RHT	23.46	3.25	4.94	0.50	L717
Ibis	397.5	26	7	YNTA34RHT	23.60	3.25	5.05	0.50	L719
Flicker	477	24	7	YNTA36RHT	24.29	3.25	5.16	0.56	L720
Hawk	477	26	7	YNTA36RHT	24.29	3.25	5.16	0.56	L720
Parakeet	556.5	24	7	YNTA39RHT	24.69	3.25	5.25	0.56	L722
Dove	556.5	26	7	YNTA39RHT	24.69	3.25	5.25	0.56	L722
Peacock	605	24	7	YNTA43RHT	25.48	3.25	5.36	0.56	L724
Squab	605	26	7	YNTA43RHT	25.48	3.25	5.36	0.56	L724
Rook	636	24	7	YNTA43RHT	25.48	3.25	5.36	0.56	L724
Grosbeak	636	26	7	YNTA43RHT	25.48	3.25	5.36	0.56	L724
Flamingo	666.6	24	7	YNTA43RHT	25.48	3.25	5.36	0.56	L724
Starling	715.5	26	7	YNTA451RHT	25.60	3.25	5.55	0.56	L725
Cuckoo	795	24	7	YNTA451RHT	25.60	3.25	5.55	0.56	L725
Drake	795	26	7	YNTA451RHT	25.60	3.25	5.55	0.56	L725
Tern	795	45	7	YNTA451RHT	25.60	3.25	5.55	0.56	L725
Condor	795	54	7	YNTA451RHT	25.60	3.25	5.55	0.56	L725
Ruddy	900	45	7	YNTA49RHT	25.66	3.25	5.72	0.56	L727
Rail	954	45	7	YNTA49RHT	25.66	3.25	5.72	0.56	L727
Cardinal	954	54	7	YNTA49RHT	25.66	3.25	5.72	0.56	L727
Ortolan	1033.5	45	7	YNTA49RHT	25.66	3.25	5.72	0.56	L727
Curlew	1033.5	54	7	YNTA49RHT	25.66	3.25	5.72	0.56	L727
Bluejay	1113	45	7	YNTA49RHT	25.66	3.25	5.72	0.56	L727
Finch	1113	54	19	YNTA54RHT	29.61	3.25	6.00	0.69	L728
Bunting	1192.5	45	7	YNTA54RHT	29.61	3.25	6.00	0.69	L728
Bittern	1272	45	7	YNTA54RHT	29.61	3.25	6.00	0.69	L728
Pheasant	1272	54	19	YNTA54RHT	29.61	3.25	6.00	0.69	L728
Dipper	1351.5	45	7	YNTA54RHT	29.61	3.25	6.00	0.69	L728
Martin	1351.5	54	19	YNTA54RHT	29.61	3.25	6.00	0.69	L728
Nuthatch	1510.5	45	7	YNTA56RHT	31.65	3.59	6.25	0.69	L729
Parrot	1510.5	54	19	YNTA56RHT	31.65	3.59	6.25	0.69	L729
Lapwing	1590	45	7	YNTA56RHT	31.65	3.59	6.25	0.69	L729
Falcon	1590	54	19	YNTA56RHT	31.65	3.59	6.25	0.69	L729
Chukar	1780	84	19	YNTA58RHT	31.53	3.59	6.25	0.69	L735
Bluebird	2156	84	19	YNTA59RHT	31.21	3.59	6.25	0.69	L735
Kiwi	2167	72	7	YNTA59RHT	31.21	3.59	6.25	0.69	L735

For EHV applications add "T" to the catalog number (example: YNTA49RHTT).

For EHV applications order (2) two tap pad shielding caps, STS-A-NCG catalog number indicates (1) cap.

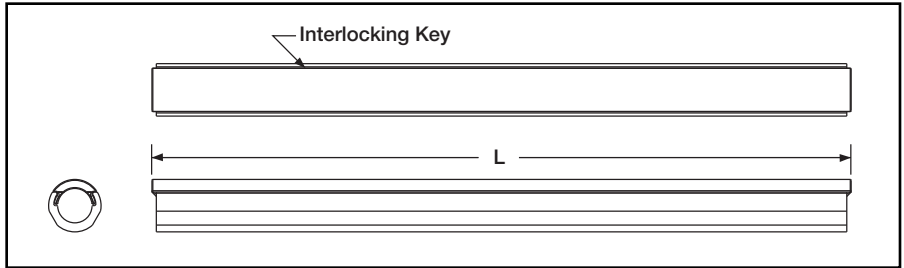
* Overlap crimps.
‡ Wide dies may be used, add suffix "W" to part number (example: L725W).

Blue highlighted items are industry standard and most frequently ordered.

TYPE YNU-RHT

Repair Sleeve for ACSS Conductor

For HV and EHV applications. Two-piece repair sleeve for temporary restoration of conductivity to damaged ACSS transmission lines. Use of PENETROX™ joint compound required.



Conductor Name	ACSS		Repair Sleeve	Inches	
	Size kcmil	Stranding		L	Die*‡
		Alum. Steel			
Linnet	336.4	26 7	YNU32RHT	22.00	L717
Oriole	336.4	30 7	YNU32RHT	22.00	L717
Ibis	397.5	26 7	YNU34RHT	22.00	L719
Flicker	477	24 7	YNU36RHT	22.00	L720
Hawk	477	26 7	YNU36RHT	22.00	L720
Parakeet	556.5	24 7	YNU39RHT	24.00	L722
Dove	556.5	26 7	YNU39RHT	24.00	L722
Peacock	605	24 7	YNU43RHT	24.00	L724
Squab	605	26 7	YNU43RHT	24.00	L724
Rook	636	24 7	YNU43RHT	24.00	L724
Grosbeak	636	26 7	YNU43RHT	24.00	L724
Flamingo	666.6	24 7	YNU43RHT	24.00	L724
Starling	715.5	26 7	YNU451RHT	24.00	L725
Cuckoo	795	24 7	YNU451RHT	24.00	L725
Drake	795	26 7	YNU451RHT	24.00	L725
Tern	795	45 7	YNU451RHT	24.00	L725
Condor	795	54 7	YNU451RHT	24.00	L725
Ruddy	900	45 7	YNU49RHT	24.00	L727
Rail	954	45 7	YNU49RHT	24.00	L727
Cardinal	954	54 7	YNU49RHT	24.00	L727
Ortolan	1033.5	45 7	YNU49RHT	24.00	L727
Curlew	1033.5	54 7	YNU49RHT	24.00	L727
Bluejay	1113	45 7	YNU49RHT	24.00	L727
Finch	1113	54 19	YNU54RHT	24.00	L728
Bunting	1192.5	45 7	YNU54RHT	24.00	L728
Bittern	1272	45 7	YNU54RHT	24.00	L728
Pheasant	1272	54 19	YNU54RHT	24.00	L728
Dipper	1351.5	45 7	YNU54RHT	24.00	L728
Martin	1351.5	54 19	YNU54RHT	24.00	L728
Nuthatch	1510.5	45 7	YNU56RHT	27.00	L729
Parrot	1510.5	54 19	YNU56RHT	27.00	L729
Lapwing	1590	45 7	YNU56RHT	27.00	L729
Falcon	1590	54 19	YNU56RHT	27.00	L729
Chukar	1780	84 19	YNU58RHT	27.00	L735
Bluebird	2156	84 19	YNU59RHT	27.00	L735
Kiwi	2167	72 7	YNU59RHT	27.00	L735

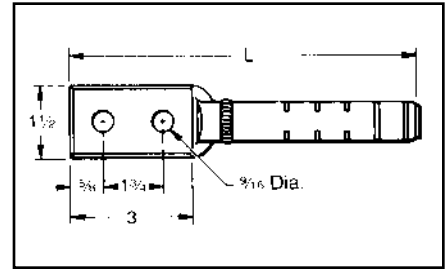
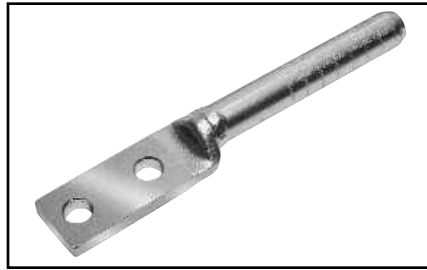
* Overlap crimps.
‡ Wide dies may be used, add suffix "W" to part number (example: L725W).

Blue highlighted items are industry standard and most frequently ordered.

TYPE YNA-M-T

Compression Terminal for Alumoweld and EHS Steel

Compression terminal for joining Alumoweld and EHS steel to YTW-M-T or YTW-E dead-end. Installed with same dies as equivalent full tension splice and deadend. Barrel is pre-filled with PENETROX™ joint compound and capped.



Catalog Number	Conductor		L	Tools, Die Sets, & (Number of Crimps)		
	Alumoweld	EHS Steel		DIE Index	Y35, Y750, Y45†, Y46‡‡	Y60BHU*
YNA7M10T	7 #10, 3 #7	5/16" 7 Str.	8-1/2	676 or 721	U676 (4) —	— L721
YNA7M8T	7 #8, 3 #5	3/8" 7 Str.	9-3/4	668 or 723	U688 (7) —	— L723
YNA7M7T	7 #7	7/16" 7 Str.	9-7/8	678 or 726	U678 (10) —	— L726
YNA7M6T	7 #6	1/2" 7 Str.	9-3/4	679 or 726	U679 (11) —	— L726

I-44

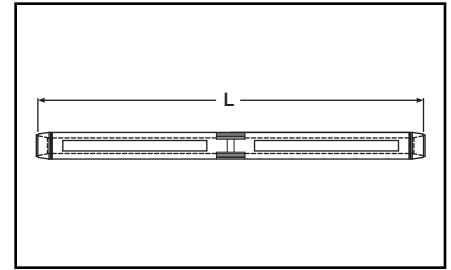
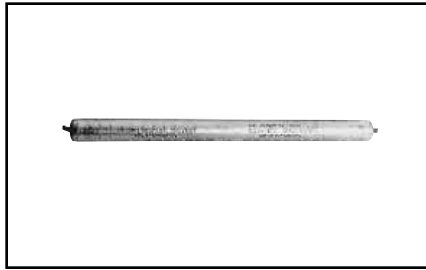
* Overlap crimps.
 † U Die with adapter PT-6515.
 ‡‡ U Die with adapter PUADP-1.

Blue highlighted items are industry standard and most frequently ordered.

TYPE YDS-M-T

Full Tension Sleeve for Alumoweld

Full-tension splice for Alumoweld transmission lines. Five connectors accommodate eight conductor sizes. Sleeve is pre-filled with PENETROX™ joint compound and capped.



RUS Accepted

Catalog ††† Number	Conductor	L	Tools, Die Sets		
	Alumoweld		Die Index	Y35, Y750, Y45†, Y46††	Y60BHU*
YDS7M10T	7 #10, 3 #7	10	676 or	U676 (8)	—
			721	—	L721
YDS7M9T	7 #9, 3 #6	10-3/8	677	U677 (10)	—
YDS7M8T	7 #8, 3 #5	12-1/4	668 or	U668 (13)	—
			723	—	L723
YDS7M7T	7 #7	14-1/2	678 or	U678 (19)	—
			726	—	L726
YDS7M6T	7 #6	15-1/8	679 or	U679 (2)	—
			726	—	L726

* Overlap crimps.
† U Die with adapter PT-6515.
†† U Die with adapter PUADP-1.

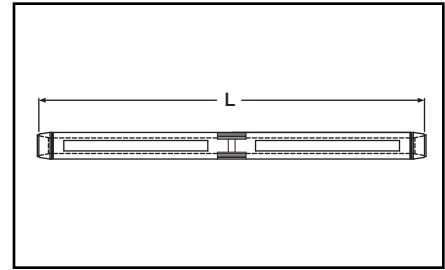
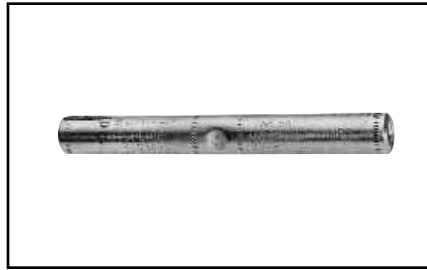
††† Sleeve is high strength aluminum alloy for optimum corrosion resistance.

Blue highlighted items are industry standard and most frequently ordered.

TYPE YTS-E

**Full Tension Splice
for EHS Steel**

Full tension splice for EHS steel guy, messenger or "static" cable. Sleeve is pre-filled with PENETROX™ joint compound and capped.



Catalog Number	Conductor †	L	Tools, Die Sets	
	EHS Steel		Die Index	Y60BHU*
YTS312E	5/16" 7 Str.	11.30"	721	L721
YTS375E	3/8" 7 Str.	10.38"	723	L723
YTS438E	7/16" 7 Str.	11.78"	726	L726
YTS500E	1/2" 7 Str.	16.63"	789	L789

* Overlap crimps.

† Sleeve is high strength aluminum alloy for optimum corrosion resistance.

Blue highlighted items are industry standard and most frequently ordered.

Full Tension Deadend Kit

Compression Deadend for ACCC® Conductor

Full tension deadends for ACCC® transmission lines up to and including 230 kV. Standard 15° NEMA tap pad provides either 0° or 30° tap when BYNA-RT15HACCC terminal is used.

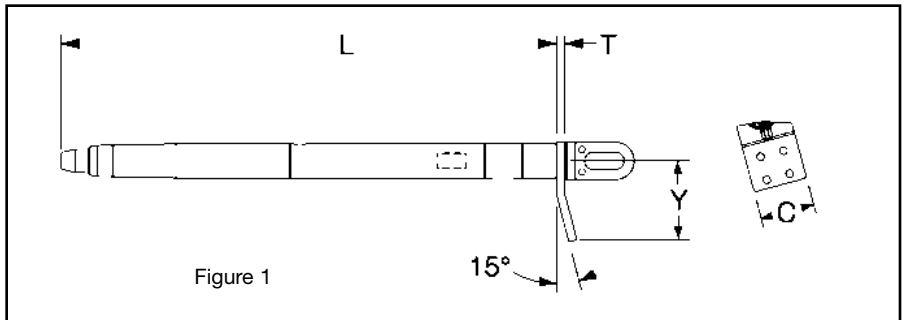
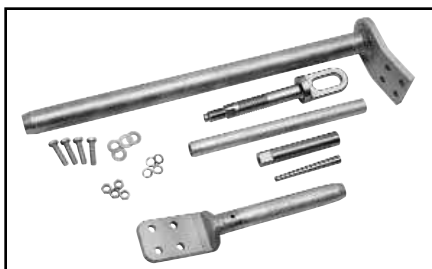


Figure 1

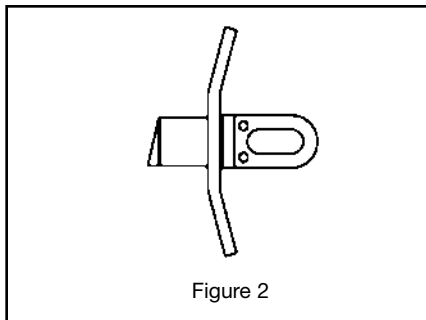


Figure 2

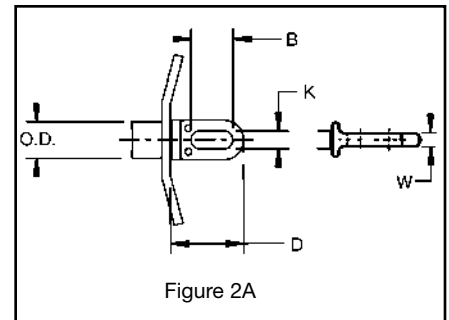


Figure 2A

I-47

Conductor Name	Size kcmil	Catalog Number Kit Assembly	Fig. No.	Dimensions - Deadend Body (Fig. 1)				Dimensions - Steel Eye (Fig. 2A)				Kit Components Terminal	Installation Tooling													
				L	T	C	Y	D	B	K	W		Y60BHU													
													Die*†	Die*†	Inspection Pin Dia.											
Linnet	431	5600-1020	1	31.25 [794]	.62 [16]	4.00 [102]	5.60 [142]	4.5 [114]	2.5 [64]	1.12 [28]	0.62 [16]	BYNA32RT15HACCC	L727W	L717W	0.748											
		5600-1020D	2																							
Copenhagen	440	5600-1022	1																							
		5600-1022D	2																							
Glasgow	473	5600-1044	1																							
		5600-1044D	2																							
Casablanca	546	5600-1028	1																							
		5600-1028D	2																							
Hawk	611	5600-1030	1																							
		5600-1030D	2																							
Lisbon	629	5600-1032	1																							
		5600-1032D	2																							
Dove	713	5600-1040	1																							
		5600-1040D	2																							
Amsterdam	733	5600-1042	1																							
		5600-1042D	2																							
Grosbeak	816	5600-1050	1																							
		5600-1050D	2																							
Brussels	839	5600-1052	1																							
		5600-1052D	2																							
Oslo	627	5600-1026	1																							
		5600-1026D	2																							
Stockholm	913	5600-1054	1																							
		5600-1054D	2																							
Warsaw	1016	5600-1056	1	36.19 [919]	.62 [16]	4.00 [102]	5.60 [142]	4.5 [114]	2.5 [64]	1.12 [28]	0.62 [16]	BYNA39RT15HACCC	L727W	L722W	0.962											
		5600-1056D	2																							
Drake	1020	5600-1060	1																							
		5600-1060D	2																							
Dublin	1043	5600-1062	1																							
		5600-1062D	2																							
BYNA451RT15HACCC																								L735W	L725W	1.164

Notes:

ACCC is a Registered Trade Mark of CTC Cable Corp.

1. Deadend Assembly consists of Aluminum Body, Steel Eye and Terminal with mounting hardware.

2. Designed for corona free operation up to 230 kV, contact factory for 345 kV and 500 kV operation.

3. For stainless steel hardware, contact factory.

4. Dimensions in brackets [] denotes metric units and are rounded to nearest whole numbers.

* Overlap crimps.

† Wide dies may be used, add suffix "W" to part number (example: L725W).

(Continued on next page)

Full Tension Deadend Kit

(Continued)

Compression Deadend for ACCC® Conductor

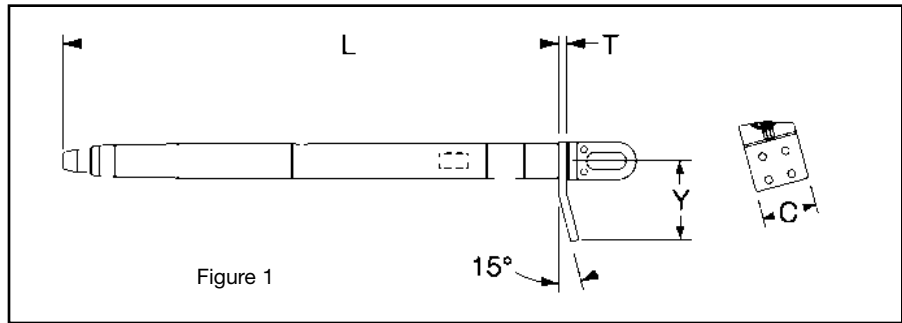


Figure 1

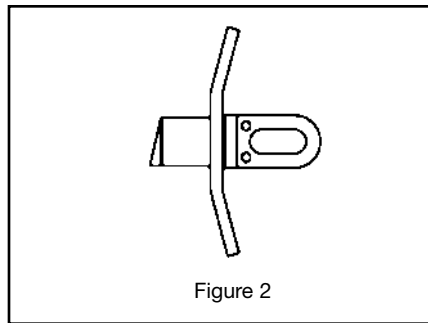
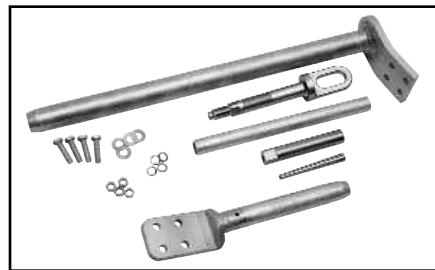


Figure 2

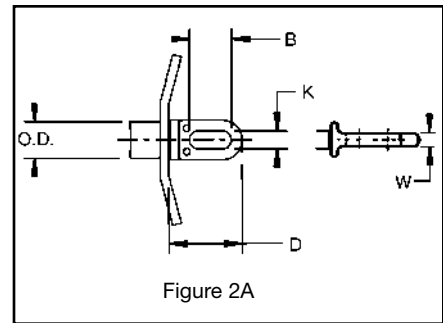


Figure 2A

I-48

Conductor Name	Size kcmil	Catalog Number Kit Assembly	Fig. No.	Dimensions - Deadend Body (Fig. 1)				Dimensions - Steel Eye (Fig. 2A)				Kit Components Terminal	Installation Tooling Y60BHU		
				L	T	C	Y	D	B	K	W		Die*‡ Die‡	Terminal	Inspection Pin Dia.
Hamburg	1092	5600-1058	1	36.19 [919]	0.62 [16]	4.00 [102]	5.60 [142]	5.10 [130]	2.91 [74]	1.26 [32]	0.75 [19]	BYNA590MRT15HACCC	L735W	L727W	1.24
		5600-1058D	2												
Milan	1134	5600-1064	1												
		5600-1064D	2												
Rome	1183	5600-1066	1												
		5600-1066D	2												
Cardinal	1222	5600-1070	1												
		5600-1070D	2												
Vienna	1255	5600-1072	1												
		5600-1072D	2												
Budapest	1332	5600-1074	1												
		5600-1074D	2												
Prague	1377	5600-1076													
		5600-1076D													
Munich	1461	5600-1078	1												
		5600-1078D	2												
London	1512	5600-1079	1												
		5600-1079D	2												
Bittern	1572	5600-1080	1												
		5600-1080D	2												
Paris	1620	5600-1082	1												
		5600-1082D	2												
											BYNA49RT15HACCC		L727W	1.313	
												BYNA760MRT15HACCC		L728W	1.35
												BYNA52RT15HACCC		L728W	1.454

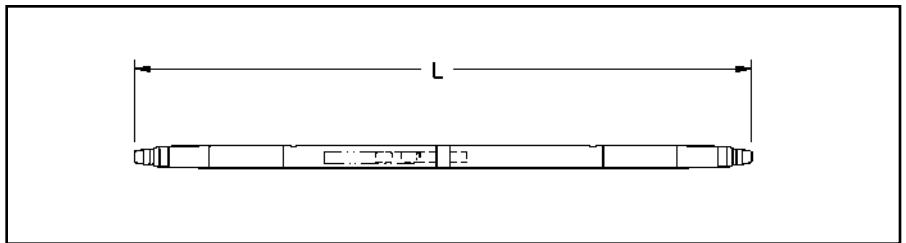
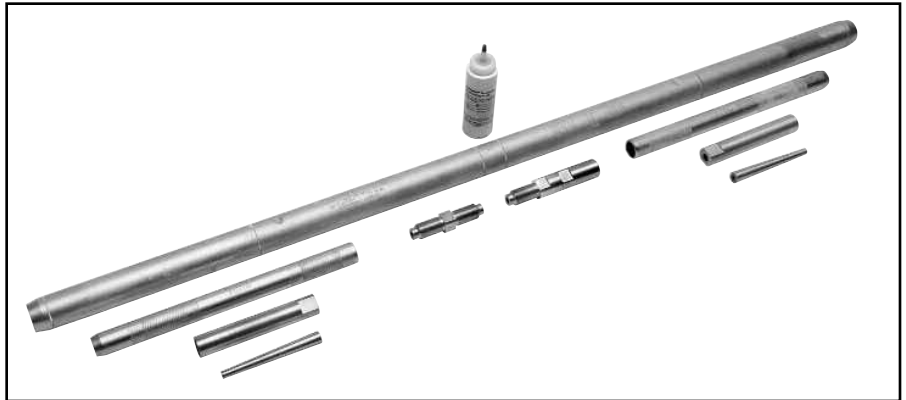
- Notes:**
 ACCC is a Registered Trade Mark of CTC Cable Corp.
 1. Deadend Assembly consists of Aluminum Body, Steel Eye and Terminal with mounting hardware.
 2. Designed for corona free operation up to 230 kV, contact factory for 345 kV and 500 kV operation.
 3. For stainless steel hardware, contact factory.
 4. Dimensions in brackets [] denotes metric units and are rounded to nearest whole numbers.
 * Overlap crimps.
 ‡ Wide dies may be used, add suffix "W" to part number (example: L725W).

Blue highlighted items are industry standard and most frequently ordered.

Full Tension Splice Kit

**Compression Splice
for ACCC® Conductor**

Full tension two piece splice for ACCC® transmission lines up to and including 230 kV.



I-49

Conductor Name	Size kcmil	Catalog Number	Dimensions (Inches) L	Installation Tool	
				Die*‡	Tool
Linnet	431	5600-2020	60.80 [1544]	L727W	
Copenhagen	440	5600-2022			
Glasgow	473	5600-2044			
Casablanca	546	5600-2028			
Hawk	611	5600-2030			
Lisbon	629	5600-2032			
Dove	713	5600-2040			
Amsterdam	733	5600-2042			
Grosbeak	816	5600-2050			
Brussels	839	5600-2052			
Oslo	627	5600-2026	67.00 [1702]	L735W	Y60BHU
Stockholm	913	5600-2054			
Warsaw	1016	5600-2056			
Drake	1020	5600-2060			
Dublin	1043	5600-2062			
Hamburg	1092	5600-2058			
Milan	1134	5600-2064			
Rome	1183	5600-2066			
Cardinal	1222	5600-2070			
Vienna	1255	5600-2072			
Budapest	1332	5600-2074			
Prague	1377	5600-2076			
Munich	1461	5600-2078			
London	1512	5600-2079			
Bittern	1572	5600-2080			
Paris	1620	5600-2082			

1. Designed for corona free operation up to 230 kV, contact factory for 345 kV and 500 kV operation.
2. Dimensions in brackets [] denotes metric units and are rounded to nearest whole number.

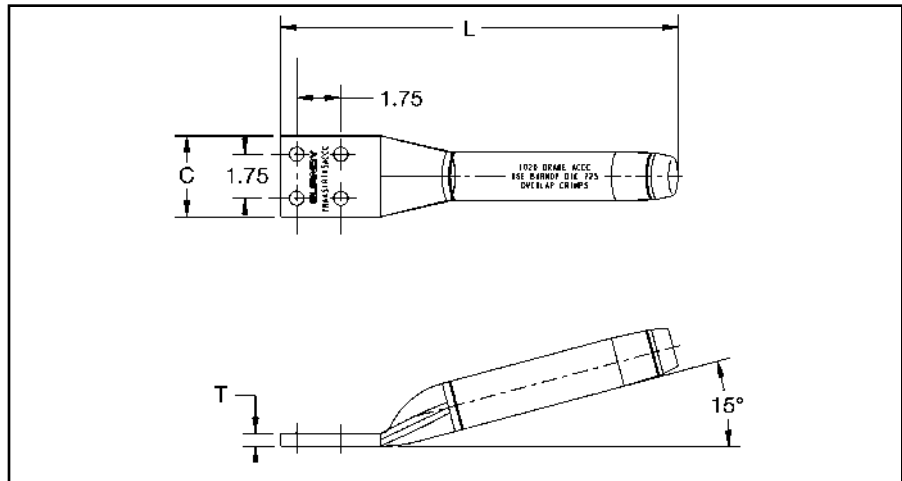
* Overlap crimps.
‡ Wide dies may be used, add suffix "W" to part number (example: L725W).
ACCC is a Registered Trade Mark of CTC Cable Corp.

Blue highlighted items are industry standard and most frequently ordered.

TYPES BYNA-RTACCC, BYNA-RT15ACCC

Compression Terminals Straight and 15 Degree for ACCC® Conductor

Compression terminal for ACCC® transmission lines up to and including 230 kV.



I-50

Conductor Name	Size kcmil	Straight Catalog Number	15 Degree Catalog Number	Dimensions (Inches)				Installation Tooling									
				Straight L	15 Degree L	C	T	Die Index	Y45*	Y46*	Y60BHU*‡						
Linnit	431	BYNA32RTACCC	BYNA32RT15ACCC	15.5	15.5	3.25	0.50	717	S717	P717	L717W						
Copenhagen	440			[393]	[393]							[719]	[S719]	[P719]	[L719W]		
Glasgow	473	BYNA245MRTACCC	BYNA245MRT15ACCC	15.8	15.8			[83]	[13]	719	S719	P719	L719W				
Casablanca	546	BYNA36RTACCC	BYNA36RT15ACCC	[402]	[402]									720	S720	P720	L720W
Hawk	611			BYNA39RTACCC	BYNA39RT15ACCC					16.2	16.2	722	S722				
Lisbon	629									[411]	[411]			724	S724	P724	L724W
Oslo	627	BYNA43RTACCC	BYNA43RT15ACCC	16.2	16.2			0.45	[11]	725	S725	P725	L725W				
Dove	713			[411]	[411]									BYNA451RTACCC	BYNA451RT15ACCC	15.3	15.0
Amsterdam	733	BYNA590MRTACCC	BYNA590MRT15ACCC	15.6	15.7					[397]	[399]	727	—				
Grosbeak	816			BYNA49RTACCC	BYNA49RT15ACCC									15.6	15.7	[397]	[399]
Brussels	839					[397]	[399]			BYNA760MRTACCC	BYNA760MRT15ACCC	17.1	17.3	[435]	[438]		
Stockholm	913	BYNA52RTACCC	BYNA52RT15ACCC	17.1	17.3	[435]	[438]									728	—
Warsaw	1016			BYNA760MRTACCC	BYNA760MRT15ACCC					17.1	17.3	[435]	[438]	728	—		
Drake	1020	BYNA52RTACCC	BYNA52RT15ACCC			17.1	17.3			[435]	[438]					728	—
Dublin	1043			BYNA52RTACCC	BYNA52RT15ACCC	17.1	17.3					[435]	[438]	728	—		
Hamburg	1092	BYNA52RTACCC	BYNA52RT15ACCC			17.1	17.3			[435]	[438]					728	—
Milan	1134			BYNA52RTACCC	BYNA52RT15ACCC	17.1	17.3	[435]	[438]			728	—	—	L728W		
Rome	1183	BYNA52RTACCC	BYNA52RT15ACCC			17.1	17.3			[435]	[438]					728	—
Cardinal	1222			BYNA52RTACCC	BYNA52RT15ACCC	17.1	17.3	[435]	[438]			728	—	—	L728W		
Vienna	1255	BYNA52RTACCC	BYNA52RT15ACCC			17.1	17.3			[435]	[438]					728	—
Budapest	1332			BYNA52RTACCC	BYNA52RT15ACCC	17.1	17.3	[435]	[438]			728	—	—	L728W		
Prague	1377	BYNA52RTACCC	BYNA52RT15ACCC			17.1	17.3			[435]	[438]					728	—
Munich	1461			BYNA52RTACCC	BYNA52RT15ACCC	17.1	17.3	[435]	[438]			728	—	—	L728W		
London	1512	BYNA52RTACCC	BYNA52RT15ACCC			17.1	17.3			[435]	[438]					728	—
Bittern	1572			BYNA52RTACCC	BYNA52RT15ACCC	17.1	17.3	[435]	[438]			728	—	—	L728W		
Paris	1620	BYNA52RTACCC	BYNA52RT15ACCC			17.1	17.3			[435]	[438]					728	—

Notes:

ACCC is a Registered Trade Mark of CTC Cable Corp.

- To specify mounting hardware to correspondending deadend or pad add H to the part number (example: BYNA451RTHACCC).

- To specify stainless steel hardware add suffix SS to the catalog number (example: BYNA451RTACCCSS).
- Designed for corona free operation up to 230 kV, contact factory for 345 kV and 500 kV operation.

- Dimensions in brackets [] denotes metric units and are rounded to nearest whole numbers.

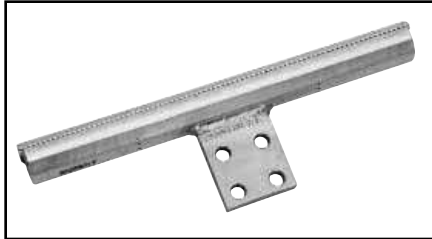
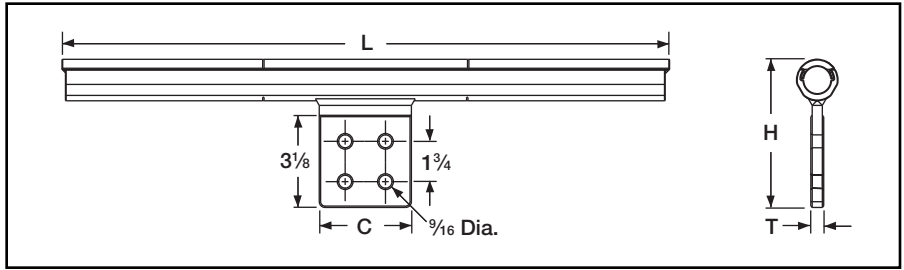
* Overlap crimps.
‡ Wide dies may be used, add suffix "W" to part number (example: L725W).

Blue highlighted items are industry standard and most frequently ordered.

TYPE YNTA-RTACCC

**Compression T-Tap
for ACCC® Conductor**

Two piece compression T-Tap to a NEMA pad for ACCC® transmission lines up to and including 230 kV.



Conductor Name	Size kcmil	Catalog Number	Dimensions (Inches)				Installation Tooling							
			L	C	H	T	Die Index	Y45*	Y46*	Y60BHU*‡				
Linnet	431	YNTA32RTACCC	24.92	4.00 [102]	5.82	0.56 [14]	717	S717	P717	L717W				
Copenhagen	440		[633]		[148]									
Glasgow	473	YNTA245MRTACCC	25.50		5.93						719	S719	P719	L719W
Casablanca	546	YNTA36RTACCC	25.50 [648]		6.03						720	S720	P720	L720W
Hawk	611				[153]						722	S722	P722	L722W
Lisbon	629													
Olso	627	YNTA39RTACCC	26.06 [662]		6.13						724	S724	P724	L724W
Dove	713				[156]									
Amsterdam	733													
Grosbeak	816	YNTA43RTACCC	26.28 [667]		6.24						725	S725	P725	L725W
Brussels	839				[158]									
Stockholm	913	YNTA451RTACCC	26.38 [670]		6.43						727	—	—	L727W
Warsaw	1016				[163]									
Drake	1020													
Dublin	1043													
Hamburg	1092	YNTA49RTACCC	26.36 [669]		6.60 [168]						728	—	—	L728W
Milan	1134													
Rome	1183													
Cardinal	1222													
Vienna	1255													
Budapest	1332													
Prague	1377													
Munich	1461	YNTA52RTACCC	29.32 [745]	7.00 [178]	0.69 [17]	728	—	—	L728W					
London	1512													
Bittern	1572													
Paris	1620													

I-51

ACCC is a Registered Trade Mark of CTC Cable Corp.

1. Designed for corona free operation up to 230 kV, contact factory for 345 kV and 500 kV operation.

2. Dimensions in brackets [] denotes metric units and are rounded to nearest whole number.

* Overlap crimps.

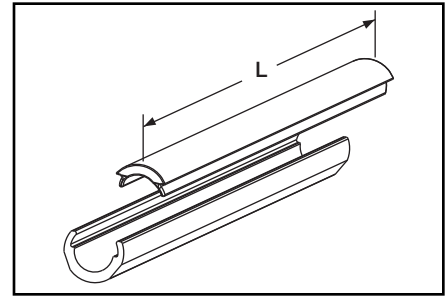
‡ Wide dies may be used, add suffix "W" to part number (example: L725W).

Blue highlighted items are industry standard and most frequently ordered.

TYPE YNU-RACCC

Compression Repair Sleeve for ACCC® Conductor

Two piece compression repair sleeve for temporary restoration of conductivity to damaged ACCC® transmission lines.



Conductor Name	Size kcmil	Catalog Number	Dimension (Inches) L	Installation Tooling							
				Die Index	Y45*	Y46*	Y60BHU*‡				
Linnet	431	YNU32RACCC	22.00 [559]	717	S717	P717	L717W				
Copenhagen	440			719	S719	P719	L719W				
Glasgow	473	YNU245MRACCC		720	S720	P720	L720W				
Casablanca	546			722	S722	P722	L722W				
Hawk	611	YNU36RACCC		724	S724	P724	L724W				
Lisbon	629			725	S725	P725	L725W				
Oslo	627	YNU39RACCC	24.00 [610]	727	—	—	L727W				
Dove	713			YNU43RACCC	728	—	—	L728W			
Amsterdam	733	YNU451RACCC							727	—	—
Grosbeak	816			YNU49RACCC							
Brussels	839	YNU52RACCC							727	—	—
Stockholm	913			YNU49RACCC							
Warsaw	1016	YNU52RACCC							727	—	—
Drake	1020			YNU49RACCC	728	—	—	L728W			
Dublin	1043	YNU52RACCC							727	—	—
Hamburg	1092			YNU49RACCC	728	—	—	L728W			
Milan	1134	YNU52RACCC							727	—	—
Rome	1183			YNU49RACCC	728	—	—	L728W			
Cardinal	1222	YNU52RACCC	727						—	—	L727W
Vienna	1255			YNU49RACCC	728	—	—	L728W			
Budapest	1332	YNU52RACCC	727						—	—	L727W
Prague	1377			YNU49RACCC	728	—	—	L728W			
Munich	1461	YNU52RACCC	727						—	—	L727W
London	1512			YNU49RACCC	728	—	—	L728W			
Bittern	1572	YNU52RACCC	727						—	—	L727W
Paris	1620			YNU49RACCC	728	—	—	L728W			

ACCC is a Registered Trade Mark of CTC Cable Corp.
Dimensions in brackets [] denotes metric units and are rounded to nearest whole number.

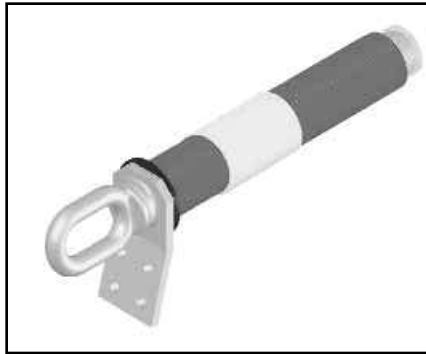
* Overlap crimps.
‡ Wide dies may be used, add suffix "W" to part number (example: L725W).

Blue highlighted items are industry standard and most frequently ordered.

TYPE IMPLO™

Dead End Joints

IMPLO™ Dead End Joints accommodate a wide range of ACSR, ACSS, ACSS/TW, ASC, and ASC/TW conductors; and provide a consistent, smooth, high quality installation every time . . . with no tools or dies. Various dead end configurations, tap pad angles, and eye-bolt versions available, 15 degree tap pad standard.



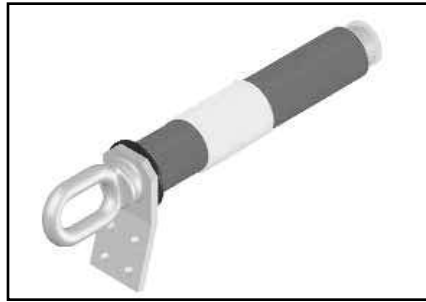
Conductor				Catalog Number	Length (mm)
Code	Type	Strand	kcmil		
Linnet	ACSR	26/7	336.4	2050	330
Oriole	ACSR	30/7	336.4		
Chickadee	ACSR	18/1	397.5		
Brant	ACSR	24/7	397.5		
Ibis	ACSR	26/7	397.5	2050 ACSS	330
Oriole	ACSS	30/7	336.4		
Lark	ACSR	30/7	397.5	2051	340
Hawk	ACSR	26/7	477		
Dove	ACSR	26/7	556.5	2052	350
Customer Specific	ACSR	26/7	585		
Rook	ACSR	24/7	636	2053	375
Flamingo	ACSR	24/7	666.6		
Stilt	ACSR	24/7	715.5		
Crow	ACSR	54/7	715.5		
Gannet	ACSR	26/7	666.6	2054	375
Grosbeak	ACSR	26/7	636		
Type 16 (Crowsnest)	ACSR/SD	—	636		
Customer Specific	ACSR	42/7	971.6	2055	395
Starling	ACSR	26/7	715.5		
Cuckoo	ACSR	24/7	795		
Condor	ACSR	54/7	795		
Crane	ACSR	54/7	874.5	2056	385
Type 13	ACSR/SD	20/7	795		
Drake	ACSR	26/7	795		
Drake	ACSS	26/7	795		
Cardinal	ACSS/TW	54/7	954	2057	385
Type 16	ACSR/SD	22/7	795		
Mallard	ACSR	30/19	795		
Ruddy	ACSR	45/7	900	2058	395
Rail	ACSR	45/7	954		
Canary	ACSR	54/7	900	2059	395
Canary	ACSS	54/7	900		
Cardinal	ACSR/SD	T.13	954		
Cardinal	ACSR	54/7	954		
Curlew	ACSR	54/7	1033.5	2060	395
Moose	ACSR	54/7	500 mm		
Ortolan	ACSR	45/7	1033.5	2061	415
Bluejay	ACSR	54/7	1113		
Finch	ACSR	54/19	1113	2062	415
Grackle	ACSR	54/19	1192.5		
Customer Specific	ACSR/TW	56/19	1443.7	2063	435
Bunting	ACSR	45/7	1192.5		
Bittern	ACSR	45/7	1272	2064	435
Potomac/TW	ACSR/TW	36/7	1557.4		

I-53

Blue highlighted items are industry standard and most frequently ordered.

TYPE IMPLO™

Dead End Joints
(Continued)



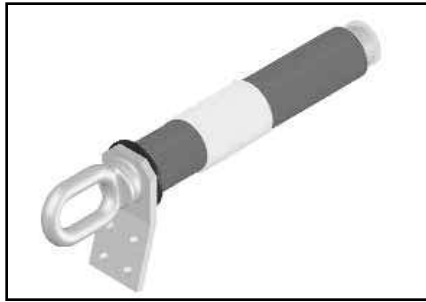
I-54

Conductor				Catalog Number	Length (mm)
Code	Type	Strand	kcmil		
Pheasant	ACSR	54/19	1272	2066	445
Martin	ACSR	54/19	1351.5		
Dipper	ACSR	45/7	1351.5	2067	445
Bobolink	ACSR	45/7	1431		
Plover	ACSR	54/19	1431	2070	455
Parrot	ACSR	54/19	1510.5		
Customer Specific	AACSR	26/7	811.5	2071	395
Nuthatch	ACSR	45/7	1510.5	2072	455
Lapwing	ACSR	45/7	1590		
Type 7 (Keephill)	ACSR/SD	41/7	1590		
Falcon	ACSR	54/19	1590	2073	465
Chukar	ACSR	84/19	1780	2074	505
Bluebird	ACSR	84/19	2156	2075	495
Kiwi	ACSR	72/7	2167	2076	495
Nelson	ACSR	72/7	1843.3	2077	480
Customer Specific	ACSR	72/7	2032.1		
Mockingbird	ACSR	72/7	2034.5		
Customer Specific	ACSR	72/7	1843.2		
Seahawk	ACSR	68/7	1869	2079	480
Toutle/TW	ACSR/TW	17/7	795		
Customer Specific	ACSR	48/7	623.8	2080	350
Thrasher	ACSR	76/19	2312	2083	510
Skylark	ACSR	36/1	1272	2084	435
Meadowsweet	ASC	37	600	2085	350
Orchid	ASC	37	636		
Violet	ASC	37	715.5		
Nasturtium	ASC	61	715.5		
Arbutus	ASC/TW	17	795		
Baker	ASC/TW	34	795		
Bluebell	ASC	37	1033.5		
Larkspur	ASC	61	1033.5	2086	395
Marigold	ASC	61	1113	2089	435
Customer Specific	ACSR	42/7	1277.5		
Type 5 (Scissortail)	SDC	34/7	1272		
Deschutes/TW	ACSR/TW	35/7	1519	2090	375
Mica - Mica	ACSR	24/7 - 26/7E	666.9-648.2		
Hawthorn	ASC	61	1192.5	2093	415
Narcissus	ASC	61	1272		
Hornbill	ACSR	48/7	1590	2094	455
Athabasca/TW	ACSR/TW	42/7	1780		
Chukar/TW	ACSR/TW	52/19	1780		
Tern	ACSR	45/7	795	2095	385
Type 6.4	SDC	17/7	477	2097	340
Emu	ACSR	108/37	3364	2100	
Coot	ACSR	36/1	795	2103	375
Pelican	ACSR	18/1	477	2112	340
Osprey	ACSR	18/1	556.5		

Blue highlighted items are industry standard and most frequently ordered.

TYPE IMPLO™

**Dead End Joints
(Continued)**



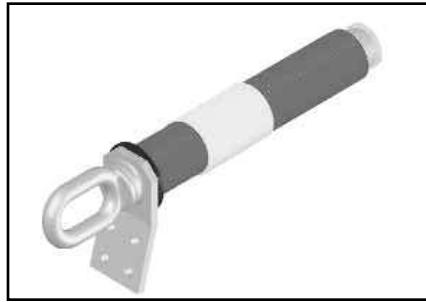
Code	Conductor			Catalog Number	Length (mm)
	Type	Strand	kcmil		
Flicker	ACSR	24/7	477	2113	340
Parakeet	ACSR/TW	18/7	556.5		
Hen	ACSR	30/7	477	2114	350
Heron	ACSR	30/7	500		
Peacock	ACSR	24/7	605	2117	350
Duck	ACSR	54/7	605		
Goose	ACSR	54/7	636		
Customer Specific	ACSR	54/7	605		
Parakeet	ACSR	18/7	556.5	2118	350
Eagle	ACSR	30/7	556.5		
Squab	ACSR	26/7	605	2120	375
Wood Duck	ACSR	30/7	605	2121	375
Teal	ACSR	30/19	605		
Scoter	ACSR	30/7	636		
Egret	ACSR	30/19	636		
Kingbird	ACSR	18/1	636	2123	350
Swift	ACSR	36/1	636		
Customer Specific	ACSR	18/1-18/7	583.2	2124	385
Rogue/TW	ACSR/TW	17/7	954		
Type 7	SDC	21/7	954		
Kettle	ACSR/TW	21/7	954	2131	385
Redwing	ACSR	30/19	715.5		
Grand Rapids	ACSR	22/7	685.4	2133	375
Type 5	SDC	17/7	795		
Macaw	ACSR	42/7	795		
Catbird	ACSR	36/1	954	2138	385
Phoenix	ACSR	42/7	954	2139	395
Towhee	ACSR	48/7	954	2140	385
Snowbird	ACSR	42/7	1033.5	2141	415
4/O	ACSR	6/1	211.6	2142	310
Penguin	ACSR	6/1	211.6		
Ostrich	ACSR	26/7	300	2143	320
Merlin	AACSR	18/1	336.4		
Partridge	ACSR	26/7	266.8	2144	320
Owl	ACSR	6/7	266.8		
Customer Specific	ACSR	22/7	490	2145	340
Road Runner	ACSR	76/19	2057	2146	505
Dotterel	ACSR	12/7	177 mm	2147	310
Canna	ASC	19	397.5	2149	330
Cosmos	ASC	19	477		
Neon	AAC	19	210 mm sq.		
Syringa	ASC	37	477		
Zinnia	ASC	19	500	2150	340
Hyacinth	ASC	37	500		
Dahlia	ASC	19	556.5		
Mistletoe	ASC	37	556.5		

I-55

Blue highlighted items are industry standard and most frequently ordered.

TYPE IMPLO™

Dead End Joints
(Continued)



I-56

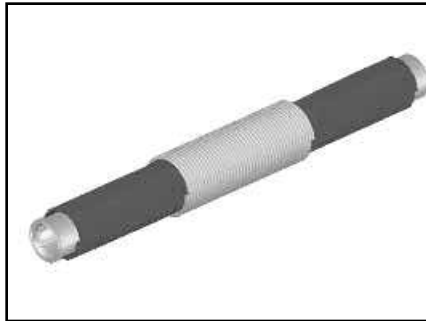
Conductor				Catalog Number	Length (mm)
Code	Type	Strand	kcmil		
Arbutus	AAC	37	795	2157	375
Phosphorus	AAAC	37	807		
Lilac	AAC	61	795		
Anemone	ASC	37	874.5	2158	385
Crocus	ASC	61	874.5		
Magnolia	ASC	37	954		
Golden Rod	ASC	61	954		
Greeley	AAAC	37	927.2		
Hood	ASC/TW	34	1589	2165	435
Sulphur	AASC	61	647 mm sq.		
Columbine	ASC	61	1351.5	2166	445
Carnation	AAAC	61	1431		
Gladiolus	ASC	61	1510.5		
Coreopsis	ASC	61	1590	2167	455
Moa	ACSR	76/7	1590		
Jessamine	ASC	61	1750	2169	455
Cowslip	ASC	91	2000	2170	505
Jefferson/TW	AAC/TW	52	2406		
Sagebrush	ASC	91	2250	2171	495
Customer Specific	ASC	91	2303		
Bitterroot	ASC	91	2750	2173	510
Tulip	ASC	19	336.4	2174	320
Daffodil	ASC	19	350		
Laurel	ASC	19	266.8	2179	310
Customer Specific	ASC	91	3000	2182	510
3640 kcmil	ASC	91	3640	2183	555
3500 kcmil	ASC	91	3500		
Sansum	ACSR	72/37	1273.5	2190	455
Customer Specific	ACSR	26/7	932.7	2192	415
Customer Specific	ACSR	28/19	1307.4	2300	552
Customer Specific	ACSR	69/19	1924	2301	610

Blue highlighted items are industry standard and most frequently ordered.

TYPE IMPLO™

Full Tension Joints

IMPLO™ Full Tension Joints accommodate a wide range of ACSR, ACSS, ACSS/TW, ASC, and ASC/TW conductors; and provide a consistent, smooth, high quality installation every time . . . with no tools or dies.



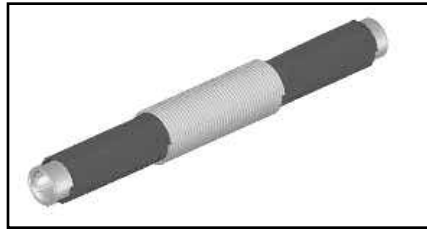
Conductor				Catalog Number	Length (mm)
Code	Type	Strand	kcmil		
Linnet	ACSR	26/7	336.4	1050	480
Oriole	ACSR	30/7	336.4		
Chickadee	ACSR	18/1	397.5		
Brant	ACSR	24/7	397.5		
Ibis	ACSR	26/7	397.5		
Oriole	ACSS	30/7	336.4	1050 ACSS	480
Lark	ACSR	30/7	397.5	1051	500
Hawk	ACSR	26/7	477	1052	520
Dove	ACSR	26/7	556.5		
Customer Specific	ACSR	26/7	585		
Rook	ACSR	24/7	636		
Flamingo	ACSR	24/7	666.6		
Stilt	ACSR	24/7	715.5	1053	540
Crow	ACSR	54/7	715.5		
Gannet	ACSR	26/7	666.6		
Grosbeak	ACSR	26/7	636		
Type 16 (Crowsnest)	ACSR/SD	—	636		
Customer Specific	ACSR	42/7	971.6	1055	580
Starling	ACSR	26/7	715.5	1056	580
Cuckoo	ACSR	24/7	795		
Condor	ACSR	54/7	795		
Crane	ACSR	54/7	874.5		
Type 13	ACSR/SD	20/7	795		
Drake	ACSR	26/7	795	1057	580
Drake	ACSS	26/7	795		
Cardinal	ACSS/TW	54/7	954		
Type 16	ACSR/SD	22/7	795		
Mallard	ACSR	30/19	795		
Ruddy	ACSR	45/7	900	1058	580
Rail	ACSR	45/7	954	1059	580
Canary	ACSR	54/7	900		
Canary	ACSS	54/7	900		
Cardinal	ACSR/SD	T.13	954		
Cardinal	ACSR	54/7	954		
Curlew	ACSR	54/7	1033.5	1061	620
Moose	ACSR	54/7	500 mm		
Ortolan	ACSR	45/7	1033.5		
Bluejay	ACSR	54/7	1113		
Finch	ACSR	54/19	1113		
Grackle	ACSR	54/19	1192.5	1062	620
Customer Specific	ACSR/TW	56/19	1443.7		
Bunting	ACSR	45/7	1192.5		
Bittern	ACSR	45/7	1272		
Potomac/TW	ACSR/TW	36/7	1557.4		
				1063	660
				1064	660
				1065	660

I-57

Blue highlighted items are industry standard and most frequently ordered.

TYPE IMPLO™

Full Tension Joints
(Continued)



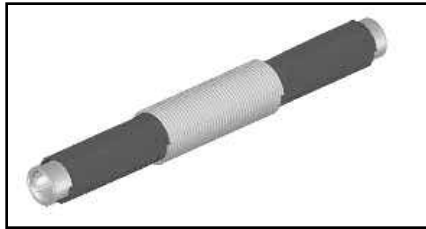
I-58

Conductor				Catalog Number	Length (mm)
Code	Type	Strand	kcmil		
Pheasant	ACSR	54/19	1272	1066	680
Martin	ACSR	54/19	1351.5		
Dipper	ACSR	45/7	1351.5	1067	680
Bobolink	ACSR	45/7	1431		
Plover	ACSR	54/19	1431	1070	700
Parrot	ACSR	54/19	1510.5		
Customer Specific	AACSR	26/7	811.5	1071	580
Nuthatch	ACSR	45/7	1510.5	1072	700
Lapwing	ACSR	45/7	1590		
Type 7 (Keephill)	ACSR/SD	41/7	1590	1073	720
Falcon	ACSR	54/19	1590		
Chukar	ACSR	84/19	1780	1074	800
Bluebird	ACSR	84/19	2156	1075	780
Kiwi	ACSR	72/7	2167	1076	780
Nelson	ACSR	72/7	1843.3	1077	750
Customer Specific	ACSR	72/7	2032.1		
Mockingbird	ACSR	72/7	2034.5		
Customer Specific	ACSR	72/7	1843.2		
Seahawk	ACSR	68/7	1869	1079	750
Toutle/TW	ACSR/TW	17/7	795	1080	520
Customer Specific	ACSR	48/7	623.8		
Thrasher	ACSR	76/19	2312	1083	810
Skylark	ACSR	36/1	1272	1084	660
Meadowsweet	ASC	37	600	1085	520
Orchid	ASC	37	636		
Violet	ASC	37	715.5		
Nasturtium	ASC	61	715.5		
Arbutus	ASC/TW	17	795		
Baker	ASC/TW	34	795		
Bluebell	ASC	37	1033.5		
Larkspur	ASC	61	1033.5	1086	580
Marigold	ASC	61	1113		
Customer Specific	ACSR	42/7	1277.5	1089	660
Type 5 (Scissortail)	SDC	34/7	1272		
Deschutes/TW	ACSR/TW	35/7	1519		
Mica - Mica	ACSR	24/7 - 26/7E	666.9-648.2	1090	540
Hawthorn	ASC	61	1192.5	1093	620
Narcissus	ASC	61	1272		
Hornbill	ACSR	48/7	1590	1094	700
Athabasca/TW	ACSR/TW	42/7	1780		
Chukar/TW	ACSR/TW	52/19	1780		
Tern	ACSR	45/7	795	1095	580
Type 6.4	SDC	17/7	477	1097	500
Emu	ACSR	108/37	3364	1100	1302
Coot	ACSR	36/1	795	1103	540
Pelican	ACSR	18/1	477	1112	500
Osprey	ACSR	18/1	556.5		
Flicker	ACSR	24/7	477	1113	500
Parakeet	ACSR/TW	18/7	556.5		
Hen	ACSR	30/7	477	1114	520
Heron	ACSR	30/7	500		

Blue highlighted items are industry standard and most frequently ordered.

TYPE IMPLO™

Full Tension Joints
(Continued)



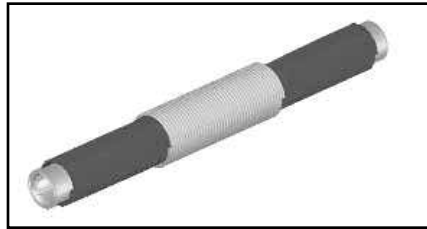
Conductor				Catalog Number	Length (mm)
Code	Type	Strand	kcmil		
Peacock	ACSR	24/7	605	1117	520
Duck	ACSR	54/7	605		
Goose	ACSR	54/7	636		
Customer Specific	ACSR	54/7	605		
Parakeet	ACSR	18/7	556.5		
Eagle	ACSR	30/7	556.5	1118	520
Squab	ACSR	26/7	605	1120	540
Wood Duck	ACSR	30/7	605	1121	540
Teal	ACSR	30/19	605		
Scoter	ACSR	30/7	636		
Egret	ACSR	30/19	636		
Kingbird	ACSR	18/1	636	1123	520
Swift	ACSR	36/1	636		
Customer Specific	ACSR	18/1-18/7	583.2		
Rogue/TW	ACSR/TW	17/7	954	1124	580
Type 7	SDC	21/7	954		
Kettle	ACSR/TW	21/7	954		
Redwing	ACSR	30/19	715.5	1131	580
Grand Rapids	ACSR	22/7	685.4	1133	540
Type 5	SDC	17/7	795		
Macaw	ACSR	42/7	795	1138	580
Catbird	ACSR	36/1	954		
Phoenix	ACSR	42/7	954		
Towhee	ACSR	48/7	954	1140	580
Snowbird	ACSR	42/7	1033.5	1141	620
4/O	ACSR	6/1	211.6	1142	440
Penguin	ACSR	6/1	211.6		
Ostrich	ACSR	26/7	300	1143	460
Merlin	AACSR	18/1	336.4		
Partridge	ACSR	26/7	266.8	1144	460
Owl	ACSR	6/7	266.8		
Customer Specific	ACSR	22/7	495	1145	500
Road Runner	ACSR	76/19	2057	1146	800
Dotterel	ACSR	12/7	177 mm	1147	440
Canna	ASC	19	397.5	1149	480
Cosmos	ASC	19	477		
Neon	AAC	19	210 mm sq.		
Syringa	ASC	37	477		
Zinnia	ASC	19	500		
Hyacinth	ASC	37	500	1150	500
Dahlia	ASC	19	556.5		
Mistletoe	ASC	37	556.5	1157	540
Arbutus	AAC	37	795		
Phosphorus	AAAC	37	807		
Lilac	AAC	61	795	1158	580
Anemone	ASC	37	874.5		
Crocus	ASC	61	874.5		
Magnolia	ASC	37	954		
Golden Rod	ASC	61	954		
Greeley	AAAC	37	927.2		

I-59

Blue highlighted items are industry standard and most frequently ordered.

TYPE IMPLO™

Full Tension Joints
(Continued)



I-60

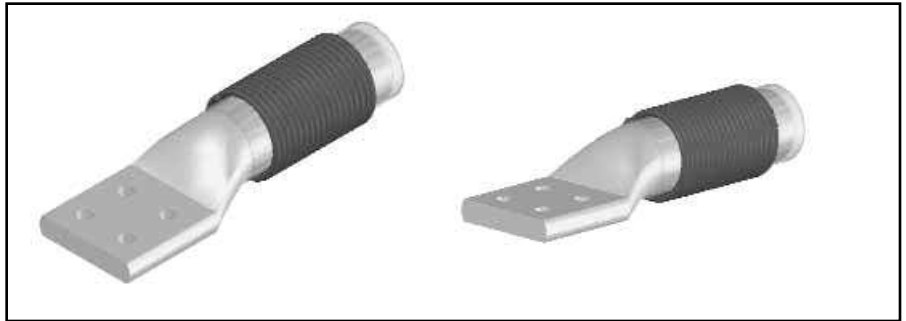
Conductor				Catalog Number	Length (mm)
Code	Type	Strand	kcmil		
Hood	ASC/TW	34	1589	1165	660
Sulphur	AASC	61	647 mm sq.		
Columbine	ASC	61	1351.5		
Carnation	AAAC	61	1431	1166	680
Gladiolus	ASC	61	1510.5		
Coreopsis	ASC	61	1590		
Moa	ACSR	76/7	1590	1167	700
Jessamine	ASC	61	1750	1169	700
Cowslip	ASC	91	2000	1170	800
Jefferson/TW	AAC/TW	52	2406		
Sagebrush	ASC	91	2250	1171	780
Customer Specific	ASC	91	2303		
Bitterroot	ASC	91	2750	1173	810
Tulip	ASC	19	336.4	1174	460
Daffodil	ASC	19	350		
Laurel	ASC	19	266.8	1179	440
Customer Specific	ASC	91	3000	1182	780
Customer Specific	ASC	91	3640	1183	870
Customer Specific	ASC	91	3500		
Sansum	ACSR	72/37	1273.5	1190	700
Customer Specific	ACSR	26/7	932.7	1192	620
Customer Specific	ACSR	28/19	1307.4	1300	240
Customer Specific	ACSR	69/19	1924	1301	950

Blue highlighted items are industry standard and most frequently ordered.

TYPE IMPLO™

Jumper Terminals

IMPLO™ Jumper Terminals accommodate a wide range of ACSR, ACSS, ACSS/TW, ASC, and ASC/TW conductors; and provide a consistent, smooth, high quality installation every time . . . with no tools or dies, 15 degree tap pad standard.



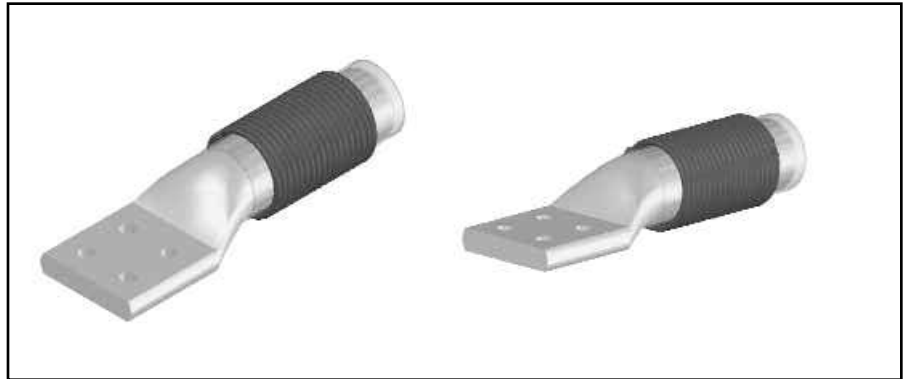
Code	Conductor			Catalog Number	Length (mm)
	Type	Strand	kcmil		
Linnet	ACSR	26/7	336.4	3050	95
Oriole	ACSR	30/7	336.4		
Chickadee	ACSR	18/1	397.5		
Brant	ACSR	24/7	397.5		
Ibis	ACSR	26/7	397.5		
Oriole	ACSS	30/7	336.4	3050 ACSS	95
Lark	ACSR	30/7	397.5	3051	95
Hawk	ACSR	26/7	477	3052	120
Dove	ACSR	26/7	556.5		
Customer Specific	ACSR	26/7	585		
Rook	ACSR	24/7	636		
Flamingo	ACSR	24/7	666.6		
Stilt	ACSR	24/7	715.5	3053	135
Crow	ACSR	54/7	715.5		
Gannet	ACSR	26/7	666.6		
Grosbeak	ACSR	26/7	636		
Type 16 (Crowsnest)	ACSR/SD	—	636		
Customer Specific	ACSR	42/7	971.6	3055	145
Starling	ACSR	26/7	715.5	3056	135
Cuckoo	ACSR	24/7	795		
Condor	ACSR	54/7	795		
Crane	ACSR	54/7	874.5		
Type 13	ACSR/SD	20/7	795		
Drake	ACSR	26/7	795	3057	135
Drake	ACSS	26/7	795		
Cardinal	ACSS/TW	54/7	954		
Type 16	ACSR/SD	22/7	795		
Mallard	ACSR	30/19	795		
Ruddy	ACSR	45/7	900	3058	145
Rail	ACSR	45/7	954	3059	145
Canary	ACSR	54/7	900	3060	145
Canary	ACSS	54/7	900		
Cardinal	ACSR/SD	T.13	954		
Cardinal	ACSR	54/7	954		
Curlew	ACSR	54/7	1033.5		
Moose	ACSR	54/7	500 mm	3061	145
Ortolan	ACSR	45/7	1033.5	3062	145
Bluejay	ACSR	54/7	1113		
Finch	ACSR	54/19	1113	3063	155
Grackle	ACSR	54/19	1192.5	3064	155
Customer Specific	ACSR/TW	56/19	1443.7		
Bunting	ACSR	45/7	1192.5	3065	155
Bittern	ACSR	45/7	1272		
Potomac/TW	ACSR/TW	36/7	1557.4		

I-61

Blue highlighted items are industry standard and most frequently ordered.

TYPE IMPLO™

Jumper Terminals
(Continued)



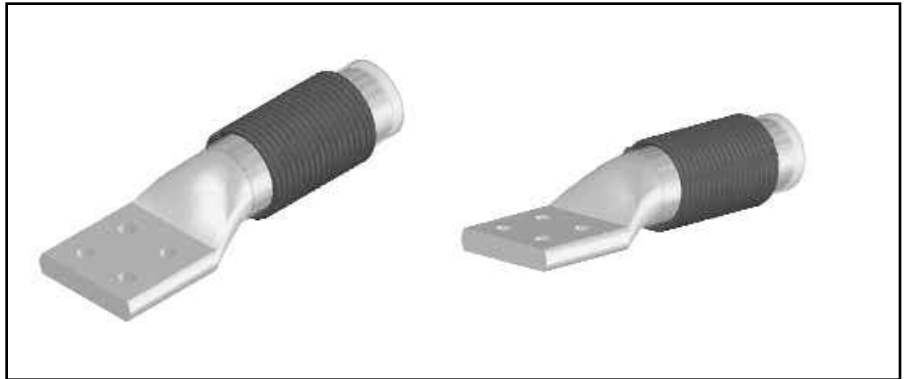
I-62

Code	Conductor			Catalog Number	Length (mm)
	Type	Strand	kcmil		
Pheasant	ACSR	54/19	1272	3066	165
Martin	ACSR	54/19	1351.5		
Dipper	ACSR	45/7	1351.5		
Bobolink	ACSR	45/7	1431	3067	165
Plover	ACSR	54/19	1431		
Parrot	ACSR	54/19	1510.5	3070	190
Customer Specific	AACSR	26/7	811.5		
Nuthatch	ACSR	45/7	1510.5	3071	145
Lapwing	ACSR	45/7	1590		
Type 7 (Keephill)	ACSR/SD	41/7	1590		
Falcon	ACSR	54/19	1590	3073	200
Chukar	ACSR	84/19	1780	3074	195
Bluebird	ACSR	84/19	2156	3075	195
Kiwi	ACSR	72/7	2167	3076	195
Nelson	ACSR	72/7	1843.3	3077	195
Customer Specific	ACSR	72/7	2032.1		
Mockingbird	ACSR	72/7	2034.5		
Customer Specific	ACSR	72/7	1843.2		
Seahawk	ACSR	68/7	1869	3079	195
Toutle/TW	ACSR/TW	17/7	795	3080	120
Customer Specific	ACSR	48/7	623.8		
Thrasher	ACSR	76/19	2312	3083	240
Skylark	ACSR	36/1	1272	3084	155
Meadowsweet	ASC	37	600	3085	120
Orchid	ASC	37	636		
Violet	ASC	37	715.5		
Nasturtium	ASC	61	715.5		
Arbutus	ASC/TW	17	795		
Baker	ASC/TW	34	795		
Bluebell	ASC	37	1033.5		
Larkspur	ASC	61	1033.5	3086	145
Marigold	ASC	61	1113		
Customer Specific	ACSR	42/7	1277.5		
Type 5 (Scissortail)	SDC	34/7	1272	3089	155
Deschutes/TW	ACSR/TW	35/7	1519		
Mica - Mica	ACSR	24/7 - 26/7E	666.9-648.2	3090	135
Hawthorn	ASC	61	1192.5	3093	145
Narcissus	ASC	61	1272		
Hornbill	ACSR	48/7	1590	3094	190
Athabasca/TW	ACSR/TW	42/7	1780		
Chukar/TW	ACSR/TW	52/19	1780		
Tern	ACSR	45/7	795	3095	135
Type 6.4	SDC	17/7	477	3097	95

Blue highlighted items are industry standard and most frequently ordered.

TYPE IMPLO™

Jumper Terminals
(Continued)



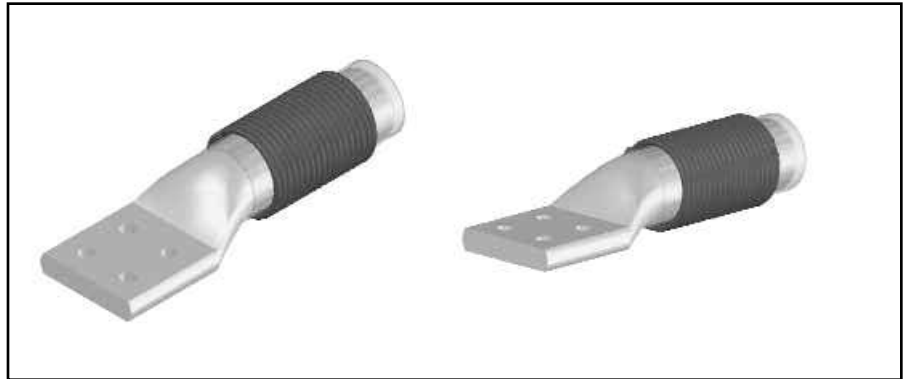
Code	Conductor			Catalog Number	Length (mm)
	Type	Strand	kcmil		
Coot	ACSR	36/1	795	3103	135
Pelican	ACSR	18/1	477	3112	95
Osprey	ACSR	18/1	556.5	3113	95
Flicker	ACSR	24/7	477		
Parakeet	ACSR/TW	18/7	556.5	3114	120
Hen	ACSR	30/7	477		
Heron	ACSR	30/7	500		
Peacock	ACSR	24/7	605		
Duck	ACSR	54/7	605		
Goose	ACSR	54/7	636		
Customer Specific	ACSR	54/7	605	3117	120
Parakeet	ACSR	18/7	556.5		
Eagle	ACSR	30/7	556.5	3118	120
Squab	ACSR	26/7	605	3120	135
Wood Duck	ACSR	30/7	605	3121	135
Teal	ACSR	30/19	605		
Scoter	ACSR	30/7	636		
Egret	ACSR	30/19	636		
Kingbird	ACSR	18/1	636	3123	120
Swift	ACSR	36/1	636		
Customer Specific	ACSR	18/1-18/7	583.2		
Rogue/TW	ACSR/TW	17/7	954	3124	135
Type 7	SDC	21/7	954		
Kettle	ACSR/TW	21/7	954		
Redwing	ACSR	30/19	715.5	3131	137
Grand Rapids	ACSR	22/7	685.4	3133	135
Type 5	SDC	17/7	795		
Macaw	ACSR	42/7	795		
Catbird	ACSR	36/1	954	3138	135
Phoenix	ACSR	42/7	954	3139	145
Towhee	ACSR	48/7	954	3140	135
Snowbird	ACSR	42/7	1033.5	3141	145
4/O	ACSR	6/1	211.6	3142	90
Penguin	ACSR	6/1	211.6		
Ostrich	ACSR	26/7	300	3143	90
Merlin	AACSR	18/1	336.4		
Partridge	ACSR	26/7	266.8	3144	90
Owl	ACSR	6/7	266.8		
Customer Specific	ACSR	22/7	490		
Road Runner	ACSR	76/19	2057	3146	195
Dotterel	ACSR	12/7	177 mm	3147	90

I-63

Blue highlighted items are industry standard and most frequently ordered.

TYPE IMPLO™

Jumper Terminals
(Continued)



I-64

Code	Conductor			Catalog Number	Length (mm)
	Type	Strand	kcmil		
Canna	ASC	19	397.5	3149	95
Cosmos	ASC	19	477		
Neon	AAC	19	210 mm sq.		
Syringa	ASC	37	477		
Zinnia	ASC	19	500	3150	95
Hyacinth	ASC	37	500		
Dahlia	ASC	19	556.5		
Mistletoe	ASC	37	556.5		
Arbutus	AAC	37	795	3157	135
Phosphorus	AAAC	37	807		
Lilac	AAC	61	795	3158	135
Anemone	ASC	37	874.5		
Crocus	ASC	61	874.5		
Magnolia	ASC	37	954		
Golden Rod	ASC	61	954		
Greeley	AAAC	37	927.2		
Hood	ASC/TW	34	1589	3165	155
Sulphur	AASC	61	647 mm sq.		
Columbine	ASC	61	1351.5	3166	165
Carnation	AAAC	61	1431		
Gladiolus	ASC	61	1510.5		
Coreopsis	ASC	61	1590		
Moa	ACSR	76/7	1590	3167	190
Jessamine	ASC	61	1750	3169	190
Cowslip	ASC	91	2000	3170	195
Jefferson/TW	AAC/TW	52	2406		
Sagebrush	ASC	91	2250	3171	195
Customer Specific	ASC	91	2303		
Bitterroot	ASC	91	2750	3173	240
Tulip	ASC	19	336.4	3174	90
Daffodil	ASC	19	350		
Laurel	ASC	19	266.8	3179	90
Customer Specific	ASC	91	3000	3182	240
Customer Specific	ASC	91	3640		
Customer Specific	ASC	91	3500		
Sansum	ACSR	72/37	1273.5	3190	190
Customer Specific	ACSR	26/7	932.7	3192	145
Customer Specific	ACSR	28/19	1307.4	3300	
Customer Specific	ACSR	69/19	1924	3301	195

Blue highlighted items are industry standard and most frequently ordered.

TYPE IMPLO™

Repair Sleeve

IMPLO™ Repair Sleeves accommodate a wide range of ACSR, ACSS, ACSS/TW, ASC, and ASC/TW conductors; and provide a consistent, smooth, high quality installation every time . . . with no tools or dies.



Conductor				Catalog Number	Length (mm)
Code	Type	Strand	kcmil		
Linnet	ACSR	26/7	336.4	9050	406
Oriole	ACSR	30/7	336.4		
Chickadee	ACSR	18/1	397.5		
Brant	ACSR	24/7	397.5		
Ibis	ACSR	26/7	397.5		
Oriole	ACSS	30/7	336.4	9050 ACSS	406
Lark	ACSR	30/7	397.5	9051	406
Hawk	ACSR	26/7	477	9052	406
Dove	ACSR	26/7	556.5		
Customer Specific	ACSR	26/7	585		
Rook	ACSR	24/7	636	9053	406
Flamingo	ACSR	24/7	666.6		
Stilt	ACSR	24/7	715.5		
Crow	ACSR	54/7	715.5		
Gannet	ACSR	26/7	666.6		
Grosbeak	ACSR	26/7	636	9054	406
Type 16 (Crowsnest)	ACSR/SD	—	636	9055	406
Customer Specific	ACSR	42/7	971.6		
Starling	ACSR	26/7	715.5	9056	406
Cuckoo	ACSR	24/7	795		
Condor	ACSR	54/7	795		
Crane	ACSR	54/7	874.5		
Type 13	ACSR/SD	20/7	795		
Drake	ACSR	26/7	795	9057	406
Drake	ACSS	26/7	795		
Cardinal	ACSS/TW	54/7	954		
Type 16	ACSR/SD	22/7	795		
Mallard	ACSR	30/19	795		
Ruddy	ACSR	45/7	900	9059	406
Rail	ACSR	45/7	954	9060	406
Canary	ACSR	54/7	900		
Canary	ACSS	54/7	900		
Cardinal	ACSR/SD	T.13	954		
Cardinal	ACSR	54/7	954		
Curlew	ACSR	54/7	1033.5	9061	406
Moose	ACSR	54/7	500 mm		
Ortolan	ACSR	45/7	1033.5	9062	406
Bluejay	ACSR	54/7	1113		
Finch	ACSR	54/19	1113	9063	406
Grackle	ACSR	54/19	1192.5	9064	406
Customer Specific	ACSR/TW	56/19	1443.7		
Bunting	ACSR	45/7	1192.5	9065	406
Bittern	ACSR	45/7	1272		
Potomac/TW	ACSR/TW	36/7	1557.4		
Pheasant	ACSR	54/19	1272	9066	406
Martin	ACSR	54/19	1351.5		

I-65

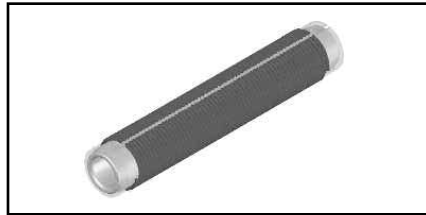
Note: Repair Sleeves are generally supplied in one of 2 lengths: 406 mm and 460 mm, as appropriate.

Repair Sleeves for T-Taps can be supplied for any conductor requirement, as above. Dimensions may vary.

Blue highlighted items are industry standard and most frequently ordered.

TYPE IMPLO™

Repair Sleeve
(Continued)



I-66

Conductor				Catalog Number	Length (mm)
Code	Type	Strand	kcmil		
Dipper	ACSR	45/7	1351.5	9067	460
Bobolink	ACSR	45/7	1431		
Plover	ACSR	54/19	1431	9070	460
Parrot	ACSR	54/19	1510.5		
Customer Specific	AACSR	26/7	811.5	1071	406
Nuthatch	ACSR	45/7	1510.5	9072	406
Lapwing	ACSR	45/7	1590		
Type 7 (Keephill)	ACSR/SD	41/7	1590		
Falcon	ACSR	54/19	1590	9073	406
Chukar	ACSR	84/19	1780	9074	406
Bluebird	ACSR	84/19	2156	9075	460
Kiwi	ACSR	72/7	2167	9076	460
Nelson	ACSR	72/7	1843.3	9077	406
Customer Specific	ACSR	72/7	2032.1		460
Mockingbird	ACSR	72/7	2034.5		460
Customer Specific	ACSR	72/7	1843.2		406
Seahawk	ACSR	68/7	1869	9079	406
Toutle/TW	ACSR/TW	17/7	795	9080	406
Customer Specific	ACSR	48/7	623.8		
Thrasher	ACSR	76/19	2312	9083	
Skylark	ACSR	36/1	1272	9084	406
Meadowsweet	ASC	37	600	9085	406
Orchid	ASC	37	636		
Violet	ASC	37	715.5		
Nasturtium	ASC	61	715.5		
Arbutus	ASC/TW	17	795		
Baker	ASC/TW	34	795		
Bluebell	ASC	37	1033.5		
Larkspur	ASC	61	1033.5	9086	406
Marigold	ASC	61	1113	9089	406
Customer Specific	ACSR	42/7	1277.5		
Type 5 (Scissortail)	SDC	34/7	1272	9089	406
Deschutes/TW	ACSR/TW	35/7	1519		
Mica - Mica	ACSR	24/7 - 26/7E	666.9-648.2	9090	406
Hawthorn	ASC	61	1192.5	9093	406
Narcissus	ASC	61	1272		
Hornbill	ACSR	48/7	1590	9094	406
Athabasca/TW	ACSR/TW	42/7	1780		
Chukar/TW	ACSR/TW	52/19	1780		
Tern	ACSR	45/7	795	9095	406
Type 6.4	SDC	17/7	477	9097	406
Emu	ACSR	108/37	3364	9100	700
Coot	ACSR	36/1	795	9103	406
Pelican	ACSR	18/1	477	9112	406
Osprey	ACSR	18/1	556.5		
Flicker	ACSR	24/7	477	9113	406
Parakeet	ACSR/TW	18/7	556.5		
Hen	ACSR	30/7	477	9114	406
Heron	ACSR	30/7	500		

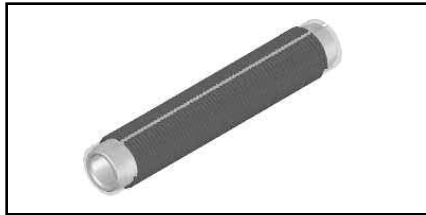
Note: Repair Sleeves are generally supplied in one of 2 lengths: 406 mm and 460 mm, as appropriate.

Repair Sleeves for T-Taps can be supplied for any conductor requirement, as above. Dimensions may vary.

Blue highlighted items are industry standard and most frequently ordered.

TYPE IMPLO™

Repair Sleeve
(Continued)



Conductor				Catalog Number	Length (mm)
Code	Type	Strand	kcmil		
Peacock	ACSR	24/7	605	9117	406
Duck	ACSR	54/7	605		
Goose	ACSR	54/7	636		
Customer Specific	ACSR	54/7	605		
Parakeet	ACSR	18/7	556.5	9118	406
Eagle	ACSR	30/7	556.5		
Squab	ACSR	26/7	605	9120	406
Wood Duck	ACSR	30/7	605		
Teal	ACSR	30/19	605	9121	406
Scoter	ACSR	30/7	636		
Egret	ACSR	30/19	636		
Kingbird	ACSR	18/1	636		
Swift	ACSR	36/1	636	9123	406
Customer Specific	ACSR	18/1-18/7	583.2		
Rogue/TW	ACSR/TW	17/7	954	9124	406
Type 7	SDC	21/7	954		
Kettle	ACSR/TW	21/7	954		
Redwing	ACSR	30/19	715.5	9131	406
Grand Rapids	ACSR	22/7	685.4	9133	406
Type 5	SDC	17/7	795		
Macaw	ACSR	42/7	795	9138	406
Catbird	ACSR	36/1	954		
Phoenix	ACSR	42/7	954	9139	406
Towhee	ACSR	48/7	954	9140	406
Snowbird	ACSR	42/7	1033.5	9141	406
4/O	ACSR	6/1	211.6	9142	406
Penguin	ACSR	6/1	211.6		
Ostrich	ACSR	26/7	300	9143	406
Merlin	AACSR	18/1	336.4		
Partridge	ACSR	26/7	266.8	9144	406
Owl	ACSR	6/7	266.8		
Customer Specific	ACSR	22/7	490	9145	406
Road Runner	ACSR	76/19	2057	9146	406
Dotterel	ACSR	12/7	177 mm	9147	406
Canna	ASC	19	397.5	9149	406
Cosmos	ASC	19	477		
Neon	AAC	19	210 mm sq.		
Syringa	ASC	37	477		
Zinnia	ASC	19	500	9150	406
Hyacinth	ASC	37	500		
Dahlia	ASC	19	556.5		
Mistletoe	ASC	37	556.5	9157	406
Arbutus	AAC	37	795		
Phosphorus	AAAC	37	807		
Lilac	AAC	61	795		

I-67

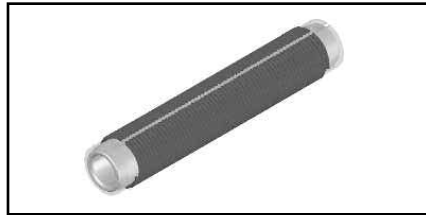
Note: Repair Sleeves are generally supplied in one of 2 lengths: 406 mm and 460 mm, as appropriate.

Repair Sleeves for T-Taps can be supplied for any conductor requirement, as above. Dimensions may vary.

Blue highlighted items are industry standard and most frequently ordered.

TYPE IMPLO™

Repair Sleeve
(Continued)



I-68

Conductor				Catalog Number	Length (mm)
Code	Type	Strand	kcmil		
Anemone	ASC	37	874.5	9158	406
Crocus	ASC	61	874.5		
Magnolia	ASC	37	954		
Golden Rod	ASC	61	954		
Greeley	AAAC	37	927.2		
Hood	ASC/TW	34	1589	9165	406
Sulphur	AASC	61	647 mm sq.		
Columbine	ASC	61	1351.5		
Carnation	AAAC	61	1431	9166	460
Gladiolus	ASC	61	1510.5		
Coreopsis	ASC	61	1590		
Moa	ACSR	76/7	1590	9167	406
Jessamine	ASC	61	1750	9169	406
Cowslip	ASC	91	2000	9170	406
Jefferson/TW	AAC/TW	52	2406		
Sagebrush	ASC	91	2250	9171	406
Customer Specific	ASC	91	2303		
Bitterroot	ASC	91	2750	9173	460
Tulip	ASC	19	336.4	9174	406
Daffodil	ASC	19	350		
Laurel	ASC	19	266.8	9179	406
Customer Specific	ASC	91	3000	9182	460
Customer Specific	ASC	91	3640		
Customer Specific	ASC	91	3500		
Sansum	ACSR	72/37	1273.5	9190	406
Customer Specific	ACSR	26/7	932.7	9192	406
Customer Specific	ACSR	28/19	1307.4	9300	406
Customer Specific	ACSR	69/19	1924	9301	406

Note: Repair Sleeves are generally supplied in one of 2 lengths: 406 mm and 460 mm, as appropriate.

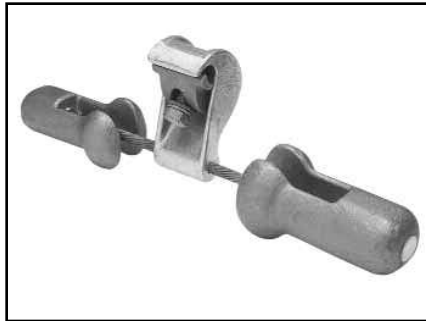
Repair Sleeves for T-Taps can be supplied for any conductor requirement, as above. Dimensions may vary.

Blue highlighted items are industry standard and most frequently ordered.

TYPE TDM-RG1

Stockbridge Damper

The Stockbridge Damper is designed to enhance conductor life by lessening potential vibration-induced fatigue.



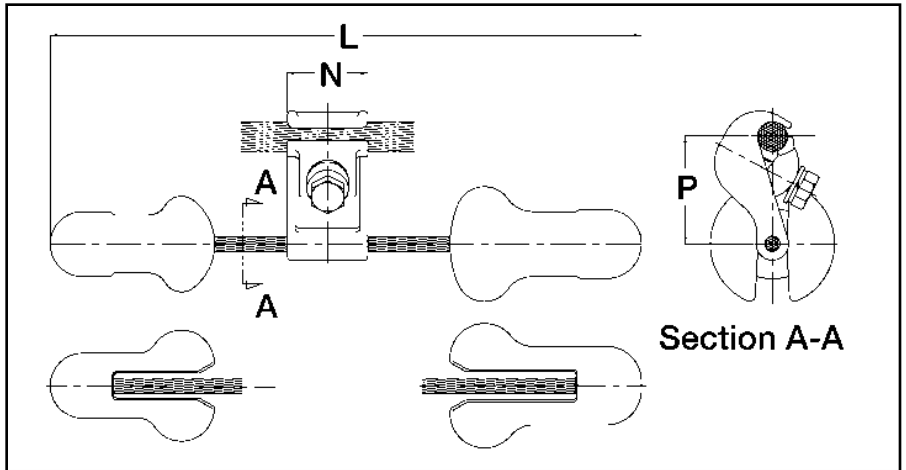
Standards

The Stockbridge Dampers meet the following standards:

- **IEC 61897** Overhead lines—Requirements and Test for Stockbridge Aeolian Vibration Dampers.
- **IEEE Std 664-1993** IEEE Guide for Laboratory Measurement of the Power Dissipation Characteristics of Aeolian Vibration Dampers for Single Conductors.

Features and Benefits

- Clamps designed around common conductor sizes
 - ◊ Ease of specification
- Single bolt design
 - ◊ Ease of installation
 - ◊ Single wrench installation
- Accurate components assembly represents greater energy dissipation
 - ◊ Provides extended life for overhead lines
- Messenger cable and weights have a corrosion resistant finish
 - ◊ Weight design eliminates water entrapment
 - ◊ Smooth surfaces and rounded edges to eliminate possible corona discharge



I-69

Conductors: ACSR, AAC, ACAR/Static Wires (Galvanized Steel, Alumoweld, Copperweld)

Catalog Number	Clamp Diameter Range	N	P	L	Wrench Size	Tightening Torque	Weight
TDM99RG1	Ø 0.24" – Ø 0.61" (6 mm – 15.5 mm)	1.70" 43 mm	2.20" 56 mm	12.20" 310 mm	7/16" 11.17 mm	265 in.-lb. 3.0 daN.m	3.7 lb. (1.68 kg)
TDM177RG1	Ø 0.59" – Ø 0.79" (15 mm – 20 mm)	2.00" 51 mm	3.00" 76 mm	14.40" 365 mm	1/2" 12.70 mm	355 in.-lb. 4.0 daN.m	6.2 lb. (2.81 kg)
TDM177RG2	Ø 0.71" – Ø 1.18" (18 mm – 30 mm)	2.00" 51 mm	3.60" 91 mm	14.40" 365 mm	5/8" 16 mm	530 in.-lb. 6.0 daN.m	6.4 lb. (2.9 kg)
TDM210RG1	Ø 0.79" – Ø 1.11" (20 mm – 28.2 mm)	2.40" 60 mm	3.20" 81 mm	19.70" 500 mm	5/8" 16 mm	530 in.-lb. 6.0 daN.m	9.5 lb. (4.30 kg)
TDM210RG2	Ø 1.30" – Ø 1.50" (33 mm – 38.1 mm)	2.40" 60 mm	3.75" 95 mm	19.70" 500 mm	5/8" 16 mm	530 in.-lb. 6.0 daN.m	9.9 lb. (4.50 kg)
TDM246RG1	Ø 0.71" – Ø 1.18" (18 mm – 30 mm)	2.70" 68 mm	3.60" 91 mm	21.00" 534 mm	5/8" 16 mm	530 in.-lb. 6.0 daN.m	13.2 lb. (5.99 kg)
TDM330RG1	Ø 1.18" – Ø 1.26" (30 mm – 32 mm)	2.70" 68 mm	3.60" 91 mm	21.00" 535 mm	5/8" 16 mm	530 in.-lb. 6.0 daN.m	13.2 lb. (5.99 kg)
TDM393RG1	Ø 1.26" – Ø 1.54" (32 mm – 39 mm)	2.70" 68 mm	3.75" 95 mm	21.00" 534 mm	5/8" 16 mm	530 in.-lb. 6.0 daN.m	13.5 lb. (6.12 kg)
TDM430RG1	Ø 1.54" – Ø 1.85" (39 mm – 47 mm)	2.70" 68 mm	4.09" 104 mm	21.00" 534 mm	5/8" 16 mm	530 in.-lb. 6.0 daN.m	14.0 lb. (6.35 kg)

For installation point contact factory at numbers below.

Blue highlighted items are industry standard and most frequently ordered.

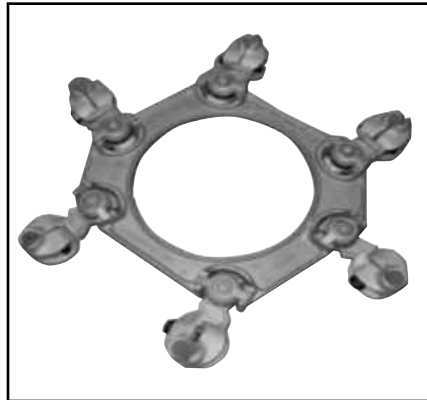
TYPE S-D-R-SG

Spacer Damper

Since the 1960's BURNDY® Spacer Dampers have been used on bundled conductor transmission lines around the world. Over 850,000 units have been installed on over 40,000 phase miles of conductor. Projects have included 2, 3, 4 and 6 bundle arrangements at voltage levels from 230 kV to 800 kV AC and up to +/-600 kV DC.

BURNDY® motion control products are engineered per customer requirements and industry standards. Our engineering team has the experience and technology to provide the proper motion control answers to your bundled conductor transmission line projects.

Our history of design, testing and field installation experience enables us to provide Spacer Damper products along with placement recommendations for optimum performance.



Conductors: ACSR, AAC, ACAR						
Catalog Number	Bundle Size	Conductor kcmil	Conductor Diameter	Spacing	Wrench Size	Tightening Torque
S2D451R-SG1	2	795	1.107" 28.1 mm	18" 457 mm	5/8" 16 mm	55 ft.-lb. 74.6 daN.m
S3D451R-SG1	3	795	1.107" 28.1 mm	18" 457 mm	5/8" 16 mm	55 ft.-lb. 74.6 daN.m
S3D55R-SG1	3	1590	1.54" 39 mm	18" 457 mm	5/8" 16 mm	55 ft.-lb. 74.6 daN.m
S4D48R-SG1	4	954	1.196" 30.4 mm	18" 457 mm	5/8" 16 mm	55 ft.-lb. 74.6 daN.m
S6D441R-SG1	6	957	1.06" 26.9 mm	30" Dia. 762 mm	5/8" 16 mm	55 ft.-lb. 74.6 daN.m

In most cases Spacer Dampers are custom designed for the specific transmission line requirements. Contact the factory for more information.
For installation points per span contact factory.

I-70

Blue highlighted items are industry standard and most frequently ordered.