

PRODUCTS FOR UNDERGROUND NETWORK AND RESIDENTIAL DISTRIBUTION SYSTEMS

TABLE OF CONTENTS

UNDERGROUND NETWORK DISTRIBUTION PRODUCTS

Technical Data “Underground Systems
Connection and Protection” **K-3 - K-4**

Technical data on specific types of BURNDY® Connectors pre-
cedes each section below.

MOLE™



Multiple Outlet Connectors
(Technical Data) **K-5 - K-7**

How to Order Your BURNDY® MOLE™ **K-8**

MOLE™ Types **K-9 - K-31**

MOLE™ Accessories **K-31 - K-36**

HYCRAB™

HYCRAB™ Connectors (Technical Data) **K-37**

HYCRAB™ and Accessories **K-38 - K-39**

LIMITERS



Network Protection (Technical Data) **K-40 - K-42**

Limiters and Accessories **K-43 - K-65**

UNDERGROUND RESIDENTIAL DISTRIBUTION PRODUCTS

MOLE™

Types **RDMD-28G, RDMD-2858D,**
RDMD-28CR, RDM-28 **K-67**

Type **RDM-28T** **K-68**

MOLE™ Tap Kits

RYA-UC, RYA-AC,
RYA-UCR, RYA-ACR Tap Kits **K-68**

Street Lighting Tap Kits

Types **RA6UC-SL, RA6UCR-SL** **K-69**

Insulated Splice Kit

Type **YS-CG** **K-70**

Y-LOK

. **K-70**

HYREDUCER™ Splices

Type **YRB-U** **K-71 - K-73**

Type **YRB-T** **K-74 - K-75**

Service Taps and Terminals

Types **K-P-C, YPC-C** **K-76**

Types **K6B, K33B** **K-77**

Types **F-A, K5A34U-6N, K-P-UC** **K-78**

Power Distribution Blocks

Types **BPD, BPD2** **K-79**

K-1

All dimensions are subject to revision and should not be used for detailed engineering or inspection purposes. Current sales drawings are available upon request.

Blue highlighted items are industry standard and most frequently ordered.

PRODUCTS FOR UNDERGROUND NETWORK DISTRIBUTION SYSTEMS

TABLE OF CONTENTS

MOLE™**1500 AMP**

Type ZM	K-9
Type ZMT	K-10
Type ZME	K-11
Type ZML	K-12
Type ZMX	K-13
Type ZMK	K-14

2000-2500 AMP

Type ZM	K-15
Type ZMT	K-16
Type ZME	K-17
Type ZML	K-18
Type ZMX	K-19
Type ZMK	K-20

3000 AMP

Type ZM	K-21
Type ZMT	K-22
Type ZME	K-23
Type ZML	K-24
Type ZMX	K-25
Type ZMK	K-26
Type ZMLDN Stud Connector.....	K-27 - K-28
Type Z2MLDN Stud Connector.....	K-29
Type ZMDN Stud Connector.....	K-30
Type ZMTDN Stud Connector.....	K-31
Types Z-P, KP Outlet Plugs.....	K-31
Type Z-NR Socket & Nut Assembly.....	K-32
Type Z Compression Cone.....	K-33 - K-34
Type ZMS Coupler.....	K-35
Type CM Sleeve.....	K-35
Type Z-C Sleeve.....	K-36

HYCRAB™

Type YM	K-38
Type YNM	K-39

LIMITERS

Types YFS-CR, YFS-CP	K-43
Type YFS-CPL	K-44
Type YFSR, YFSP	K-45
Type YFSP-L	K-45
Types YFSH, YFSH-P	K-46
Type YFSC	K-46
Types YFA-CR, YFA-CP	K-47
Type YFA-CPL	K-48
Types YFAR, YFAP	K-49
Type YFAP-L	K-50
Type YFAH	K-51
Type YFAC	K-51
Types YFM-CR, YFM-CP	K-52
Type YFM-CPL	K-52
Types YFMR, YFMP	K-53
Type YFMP-L	K-53
Types YFMH, YFMH-P	K-54
Type YFMC	K-54
Type VFYFT	K-55
Type NYFT	K-55
Type LYS	K-56
Type LYM	K-57
Type LF	K-58
Type LYS34P1	K-59
Type LYS34P2	K-59
Type LYS-P5	K-60
Type LYM34P3	K-61
Type LYS-P6	K-61

HIGH CAPACITY LIMITERS

Types HYA, HYM & HYS	K-64 - K-65
---------------------------------------	--------------------

NETWORK PROTECTOR FUSES

Types Y, Z	K-62
-------------------------	-------------

T-CONNECTOR

Type NYT	K-63
-----------------------	-------------

Blue highlighted items are industry standard and most frequently ordered.

UNDERGROUND SYSTEM CONNECTION AND PROTECTION

Nowhere in the distribution of electric power are the problems of connecting conductors and protecting them and equipment against the effects of fault currents as complex as in underground systems. For more than 70 years, BURNDY® engineers have worked closely with utilities to develop devices for connecting and protecting conductors and associated equipment in underground systems. These devices, with their inherent dependability and economy, have contributed to the rapid growth of underground systems throughout the country. To assist utility personnel in more effectively selecting and applying these devices, the engineering talent and experience of BURNDY® have been pooled to prepare this technical section, and the catalog information that follows.

The devices are designed for use in both radial and network type underground systems. Radial systems (Fig. 1) distribute power economically except in high load density areas where a high degree of service reliability is required.

Network systems (Fig. 2) have become standard for AC power distribution where load density is high and service continuity must be assured under nearly all conditions. The improved equipment and methods which are described in this catalog have been designed

to meet these secondary network system requirements and to reduce the cost of installation and maintenance.

Early Problems in Underground Connections

Despite the many advantages of underground distribution, a major problem was that of making connections in congested manholes or junction boxes. The necessary procedure—soldering conductors, taping joints, and wiping lead covered cable—was so complex, that it demanded considerable skill and was time consuming and costly. This involved procedure had to be repeated each time a service was added to a main. When completed, the multiple-branch joints were excessively bulky and their electrical and mechanical performance suffered from the shortcomings of soldered connections.

The installation of underground distribution made greater strides as those early connection methods gave way to specialized products and techniques developed by BURNDY® at the request of, and in close collaboration with, engineers of leading utilities. These specialized connectors were easier and more economical to install, more compact, and more dependable electrically and mechanically.

For installation in conjunction with these connectors, BURNDY® also developed products to protect the secondary system from the effects of fault currents. The continuing improvement of these products, based on field experience and laboratory research, is contributing to even greater dependability and economy in underground distribution.

Design Objectives in Connectors for Underground

While each of the principal types of equipment described in the following pages has been designed to meet particular service requirements, all have several basic objectives in common:

Reliability: To minimize outages and their serious consequences in the high load density areas served by underground systems.

Ease of Installation: Compact for easy installation in the confined space of a manhole and transformer vaults. Mechanical connections that eliminate difficult solder joints.

Economy: By reducing the time and skill required for installation of a dependable, insulated compact connection.

Versatility: For permitting easier changes, expansion, and additional services with a minimum of system shutdown.

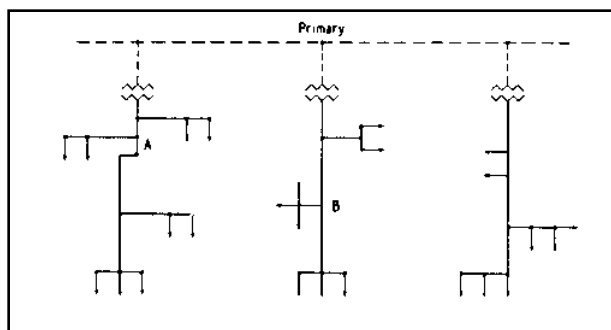


Figure 1 Radial Secondary Distribution System

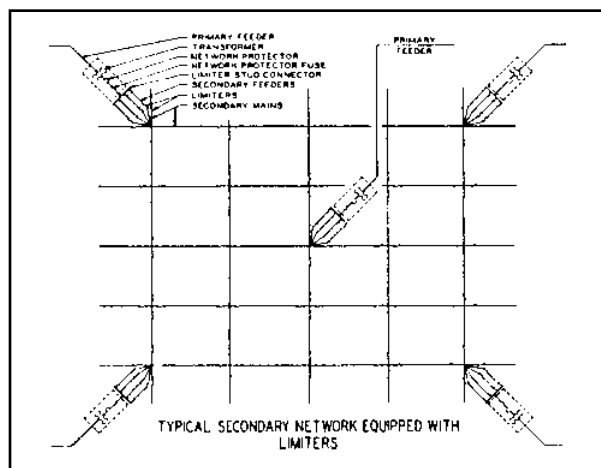


Figure 2

Blue highlighted items are industry standard and most frequently ordered.

TYPES OF BURNDY® UNDERGROUND CONNECTORS AND ACCESSORIES

The MOLE™ and HYCRAB™

The most popular of the engineered connectors developed specifically for underground manholes and transformer vaults are the MOLE™ and the HYCRAB™ that provide for multiple connections at a single junction point of main, feeder, and service cables. Pre-insulated to eliminate extensive taping, these connectors are essentially bus bars with several cable outlets: mechanical installation in the MOLE™, and compression installation in the HYCRAB™.

Limiters and Fuses

To prevent “roasting” of cable insulation, resulting from fault current, BURNDY® has developed cable limiters that are inserted in each secondary cable at all junction points. Network protector fuses have been designed to back up the protector breaker in the event of a malfunction during a transformer or primary cable fault. By coordinating the time current characteristics of the fuse with those of the cable limiters, the possibility of limiter blowing on primary faults is eliminated, which in turn reduces the fault finding task. Also, limiter, fuse, and cable insulation characteristics must be carefully coordinated to assure isolating a fault on the secondary before it can cause extensive damage or interrupt service in other sections of the secondary system.

High Capacity Limiter 200,000 Amperes at 600 Volts

The BURNDY® High Capacity Limiter is designed to economically protect electrical distribution systems from the destructive effect of high energy faults. The increasing number of 600 volt secondary network installations for industrial and commercial applications demand a cable limiter that can safely interrupt 200,000 amperes (symmetrical available) and one that will also completely coordinate with the higher voltage network protector fuses.

Available fault currents as high as 200,000 amperes rms at 600 volts across the fusible elements have been interrupted during tests on the BURNDY® High Capacity Limiter. The power factor during these tests was less than 15%, thereby imposing the most difficult clearing conditions. No external disturbance is experienced upon clearing fault currents from the “float” value to 200,000 amperes. The quartz filler absorbs the intense energy generated by interrupting the fault current. The quartz fuses into tubular fulgurites, with a high dielectric strength, and forms an insulating barrier between the melted link sections. This action prevents restrike of the internal arc. The rugged glass melamine housing provides a vessel that completely contains the developed energy.

The carefully developed time-current characteristics and rigid manufacturing tolerances assure proper coordination with the network protector fuses and the insulation damage characteristics of 4/0, 250, 350, 500 and 750 kcmil cable.

The High Capacity Limiter is available in four variations to accommodate a variety of installation practices. The Type HYS has cable sockets at both ends, which allow for indenting to the cable ends with a hydraulic BURNDY® HYPRESS™. The HYO has an offset lug on one end which permits back-to-back mounting on bus bar.

For those installations where BURNDY® MOLEs™ are used for manhole junctions or transformer vault buses, the Type HYM permits a replaceable connection of the limiter directly to the MOLE outlet at one end and a compression cable connection at the other.

Modern electrical distribution systems require low cost protection to safeguard costly equipment and quickly isolate faults, so that the undamaged portions of the system may function normally. BURNDY® High Capacity Limiters assure positive, economical protection when installed in properly designed systems.

Compression Connectors

BURNDY® HYDENT™ compression type connectors, and installation tools, have been designed for splicing and terminating copper as well as aluminum underground cables, in both primary and secondary circuits. BURNDY® tools and dies are custom designed to produce sound electrical, and mechanical joints on BURNDY® connectors. The use of BURNDY's matched tools and connectors assures optimum results.

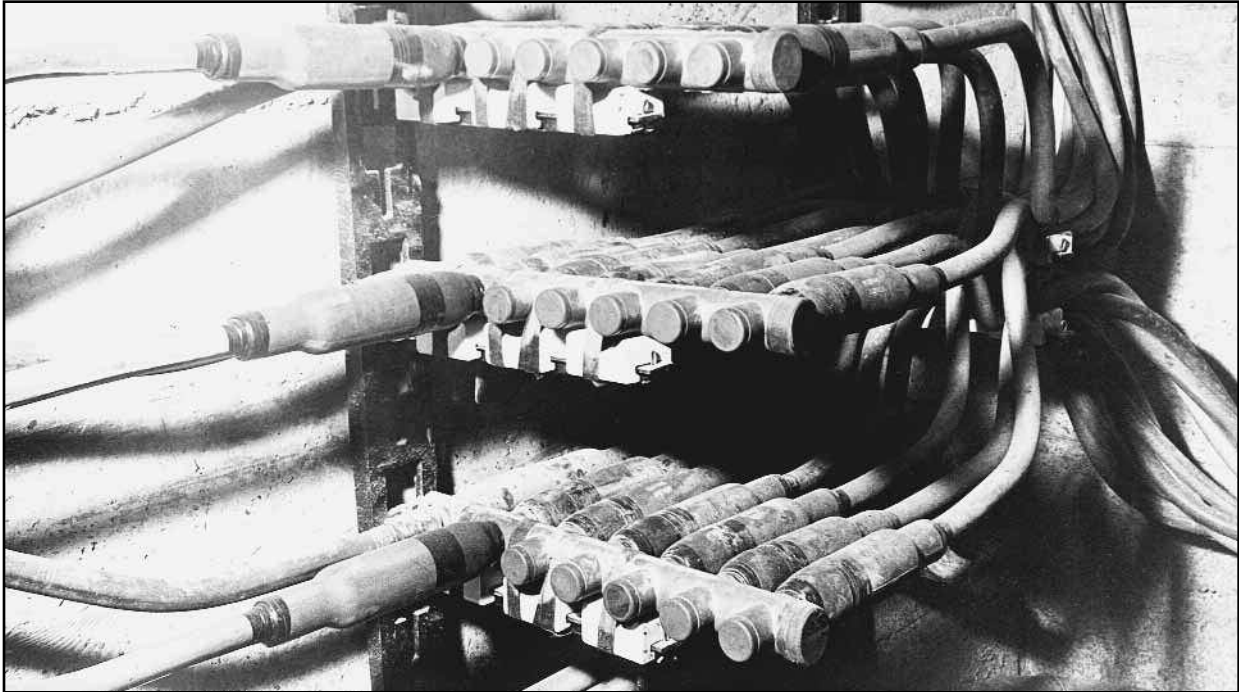
Residential Underground

The trend toward improvement in neighborhood appearances, and the elimination of storm outages, tree trimming, etc., has created the need for residential underground distribution. To meet these needs, BURNDY® offers: Mechanical type pre-insulated multi-conductor terminal connectors for submersible transformer locations; and compact multi-conductor connectors for above ground transformer and enclosures. For service taps, BURNDY® offers: Pre-insulated, multi-conductor compression and mechanical connectors; and a range taking compression connector for below grade service. Power pedestals for direct burial, above ground application, and conduit systems are offered. Residential Underground Fuse Block assembly with replaceable fuse for each service cable is also available.



Blue highlighted items are industry standard and most frequently ordered.

MULTIPLE OUTLET CONNECTORS



Connectors for Aluminum

For systems where aluminum is used, connectors especially designed for aluminum conductors are available in bolted and compression types: HYCRAB™, HYPLUG™, HYREDUCER™, and HYSOCKET. Aluminum conductors can be connected to standard MOLE™ connectors by using HYPLUG™ adapters.

Multiple Outlet Connectors

The increasing use in modern electrical distribution systems of junction points where several relatively large cables must be connected, has brought about the development of BURNDY® MOLE™ line equipment to speed up and simplify the making of such connections. The modern tendency toward network systems not only in underground utility practice but also in industrial wiring, has greatly increased the number of multi-connection joints.

The BURNDY® MOLE™ and HYCRAB™ connectors are insulated bus bars with multiple connector outlets for service cables,

secondary mains, or equipment leads. In the MOLE™, clamping action secures conductors to the connector; in the HYCRAB™, connections are made by indenting with a compression tool. Both lines of insulated connectors offer the following basic advantages:

- 1. Ease and Economy of Installations:* The ease and reduction of time required to make and insulate dependable multi-connections greatly reduces the cost of installation. The compact design makes maximum use of space and provides for simplified racking.
- 2. Versatility for System Modification:* The MOLE™ and HYCRAB™ are designed to accommodate the standard secondary main and service cables, and permit easy modification or later additions. The numerous available connector configurations permit a wide variety of arrangements of cables and equipment connections. The 600 volt rating of the MOLE™ and HYCRAB™ insulation provides for

efficient operation at all standard utilization voltages.

- 3. Efficient, Dependable Performance:* The MOLE™ and HYCRAB™ connectors assure permanent, high conductivity connections, good moisture seal, and insulation that resists the severest condition encountered in underground installations.

MOLE™ and HYCRAB™ Insulation

The location in vaults and manholes often exposes these connectors to immersion in water, chemical, and other contaminants, as well as to heat from overload or fault currents. The MOLE™ and HYCRAB™ insulations provide electrical, mechanical, and thermal properties essential to assure the service continuity of underground distribution systems.

Recognizing the importance of proper connector insulation, BURNDY® established performance specifications exceeding those of 600 volt cable insulation.

Blue highlighted items are industry standard and most frequently ordered.

MULTIPLE OUTLET CONNECTORS (Continued)

MOLE™ and MOLE™ Accessories

The BURNDY® MOLE™ is a multi-cable connector that consists of a pre-insulated copper bus bar with threaded outlets that permit a minimum of two cables to be connected by means of a socket, nut, and cone assembly (Illustration A). The clamping action of the socket, nut and cone assembly on the cable develops high contact pressures that maintain joint conductivities greater than 100% of the continuous conductor. A compression socket that is threaded into the MOLE™ insert is also available. The MOLE™ design affords exceptional versatility in four ways:

1. MOLE™ outlets can be plugged-off until needed for the addition of cables.
2. Installed cables can be easily removed.
3. Cable sizes can be increased by changing the socket, nut and cone assembly.
4. The number of outlets may be increased by joining MOLE™ connectors with a MOLE™ coupler.

Insulation

The copper bus bar insert is encased in a molded insulating jacket that eliminates crotch taping. The thickness of the jacket prevents any possibility of the insert weight to cause the insulation at the supports to flow away at the high temperatures of fault conditions.

Ratings

MOLE™ connectors are rated at 1500, 2000, 2500, and 3000 amperes, based on the maximum current the insert cross-section can carry. Each outlet can carry the full rated current of the cable connected to it.

To avoid exceeding the insert rating, the cables should be arranged in such a manner that most current flows directly across the insert. (See Illustration B)

Installation

Cables are connected to the MOLE™ by means of a socket, nut and compression cone assembly. The socket is threaded into the MOLE™ insert. The stripped cable end is inserted into nut and compression cone, and then into the socket where it is securely clamped by tightening the nut. The joint is then sealed watertight in one of three ways:

- Taping;
- MOLE™ Outlet Insulating Sleeves, sealed with a minimum of taping;
- or NOTAPE™ MOLE™ Sleeve, sealed to the cable and mole insulation by two non-corrosive hose clamps.

Tests under flooding and other adverse conditions demonstrate that such joints are impervious to water.

Accessories

A socket, cone and nut assembly is screwed into each MOLE™ outlet to which a cable is to be connected. The socket has a tapered recess into which the clamping nut forces the cable and the compression cone. The cone is slotted to controlled widths and depths for maximum flexibility, and its inside surface is serrated for low contact resistance and high pullout strength.

A compression socket is available that threads directly into the MOLE™ outlet and provides a compression sleeve for connecting the cable with HYPRESS™ tools.

Plugs seal MOLE™ outlets not in use. The MOLE™ is delivered with one-fourth of its outlets sealed with plugs. Additional plugs may be ordered.

MOLE™ couplers facilitate system expansion by joining additional MOLE™ connectors to those already installed. Couplers are easily installed in end or side outlets of the MOLE™, and make connections that are effective both electrically and mechanically.



Illustration A

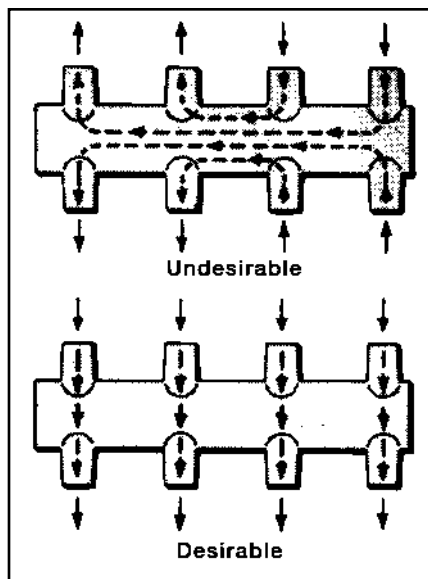


Illustration B

Blue highlighted items are industry standard and most frequently ordered.

MULTIPLE OUTLET CONNECTORS (Continued)



K-7

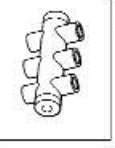
Blue highlighted items are industry standard and most frequently ordered.

HOW TO ORDER YOUR BURNDY MOLE™

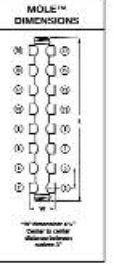
This MOLE™ connector section is arranged so that all the information necessary for ordering standard MOLE™ connections is contained on a single page.

BURNDY® Underground Products
for Network and Residential Distribution

MOLE™ TYPE ZM
1500 AMPERES



MOLE™ DIMENSIONS



Cable Size	No. of Strands	Length (inches)	Approx. Weight (lb.)
600	6	12.5	1.5
750	8	15.0	2.0
1000	12	18.0	3.0
1500	18	24.0	4.5

Cable Outlet Ranges:

- Symbol "A" = #6 Str. - 600 kcmil; 5/8"
- Symbol "B" = #2 Str. - 1000 kcmil; 7/8"
- Symbol "C" = 500 - 1500 kcmil; 1-1/8"

Cable Outlet Arrangement:

Depending on ampere group, outlets may be all "A" or "B" cable size, or may be combinations of sizes; outlet #1, "A": all the other outlets "B", etc. (See suffix list below.)

Number of Outlets Per MOLE™:

From 2 to 16 outlets depending on MOLE™ Type (any number can be supplied).

Catalog Number, Dimensions, and Weights.

MOLE™ CONNECTORS ARE ORDERED BY THE FOLLOWING PROCEDURE:

- Determine amperage that meets requirements and locate it in the MOLE™ ampere page listings: pages 9-31.
- Choose MOLE™ configuration desired, by Type (ZM, ZME, ZMT, etc.) within ampere group.
- Decide on the number of outlets that meets your requirements.

4. Decide on the cable ranges required for each outlet.

5. Select cable outlet arrangement for MOLE™ listing: outlet #1, "A": all others "B", etc.

EXAMPLE:

Installation load capacity: 2000 ampere.
Configuration: outlets on two sides and one end.
Cable ranges: End outlet to accommodate a 1000 kcmil cable; other outlets: two 700 kcmil, two 600 kcmil and two 500 kcmil cables.

PROCEDURE:

- Locate 2000 through 2500 ampere MOLE™ groups: pages 15-20.
- MOLE™ Type ZMT has outlets on two sides and one end.
- Cable outlet symbol "B" = #2 Str. - 1000 kcmil. MOLE™ outlet arrangement: Outlet #1 = "B", all other outlets = "B".
- Catalog Number ZMT7-25B is the correct number. See pages K-32 - K-34 for socket and nut assembly, compression cones and Insulating Sleeves.

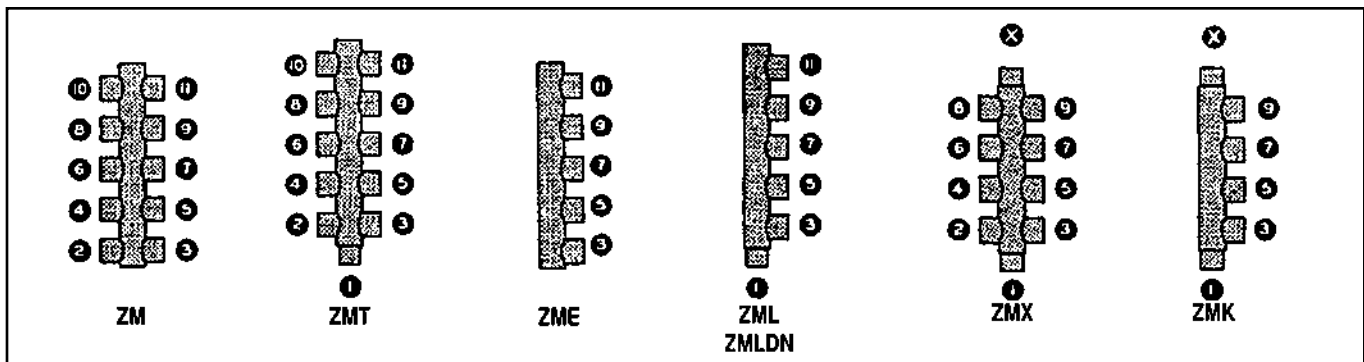
Suffix List:

- A3: Outlet #1 = B; all others = A
- A4: Outlets #1 and X = B; all others = A
- A7: Outlet #1 and X = C; all others = A
- A9: Outlet #1 = C; all others = A
- B12: Outlet #1 = A; all others = B
- B72: Outlet #1 and X = C; all others = B
- B92: Outlet #1 = C; all others = B

K-8 MOLE™ Connector listings are arranged by:

Amperes: 1,500; 2,000 - 2,500; 3,000.

MOLE™ Type: ZM, ZMT, ZME, etc., within each ampere group.



Blue highlighted items are industry standard and most frequently ordered.

MOLE™ TYPE ZM

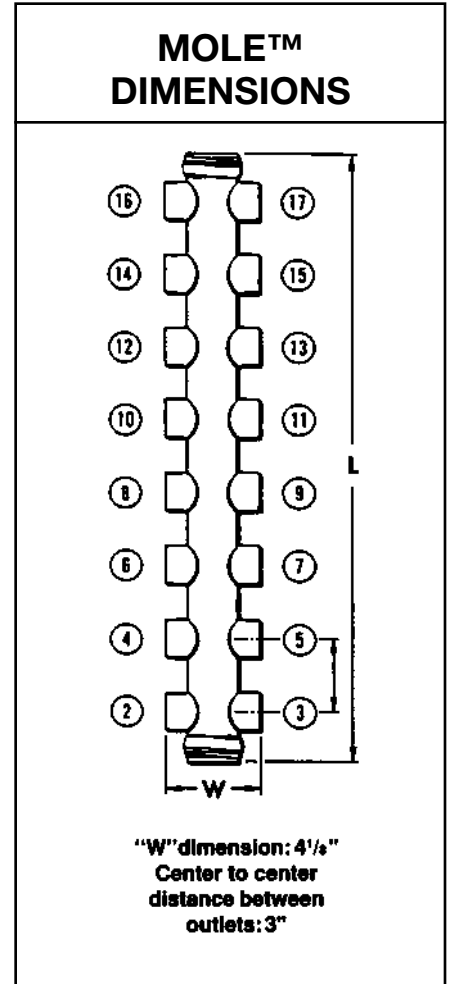
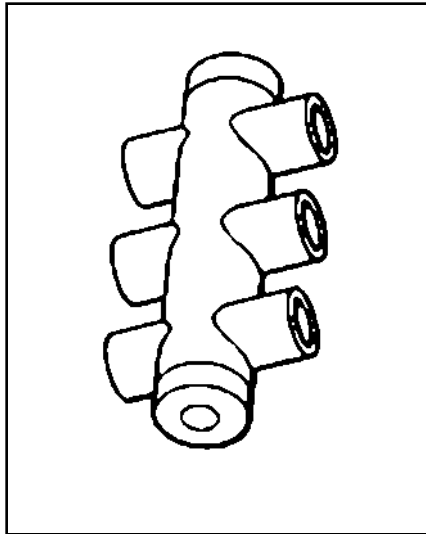
1500 AMPERES

MOLE™ Type ZM — A compact pre-insulated junction for secondary network cables, with multiple outlets for each cable clamping elements.

Outlet Plugs — MOLE™ outlet plugs that facilitate sealing outlets not being used are available on page K-31, Types Z-P and K-P.

Insulating Sleeves — Taping operations for watertight joints are greatly simplified by the use of BURNDY® NOTAPE™ Sleeves Type CM or MOLE™ Insulating Sleeves Type Z-C shown on pages K-35 - K-36.

Clamping Elements — Outlet Symbols A or B, refer to socket and nut Type Z-NR, and cone Type Z cable clamping elements accommodated. These must be ordered separately. Refer to pages K-32 - K-34 for complete listings.



OUTLET RANGE: "A" 6 Str. - 600 kcmil

Cable Outlet Arrangement	No. of Outlets	Catalog Number	Length Inches L	Approx. Ship. Wt. Lbs.
All Outlets A	4	ZM4-15	7-1/8	2.6
	6	ZM6-15	10-1/8	4.4
	8	ZM8-15	13-1/8	6.2
	10	ZM10-15	16-1/8	7.8
	12	ZM12-15	19-1/8	9.5
	14	ZM14-15	22-1/8	11
	16	ZM16-15	25-1/8	13

For outlet combinations not listed call customer service

MOLE™ TYPE ZMT

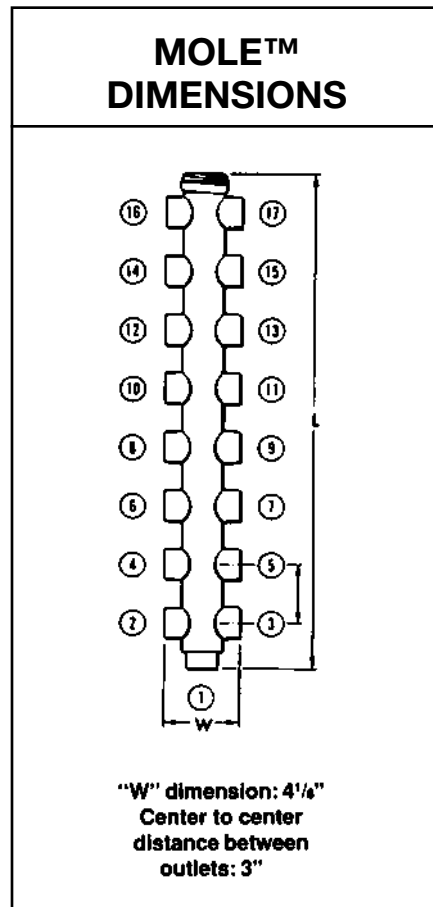
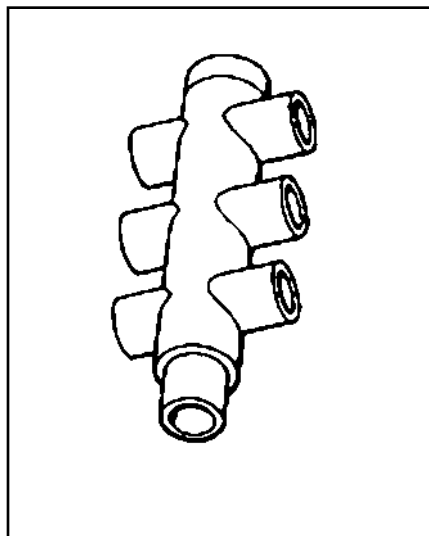
1500 AMPERES

MOLE™ Type ZMT — A compact pre-insulated junction for secondary network cables, with multiple outlets for cable clamping elements. Future expansion is provided for by an end outlet which can be joined to an additional MOLE™ by Type ZMS couplers.

Outlet Plugs — Mole outlet plugs that facilitate sealing outlets not being used are available on page K-31, Types Z-P and K-P.

Insulating Sleeves — Taping operations for watertight joints are greatly simplified by the use of BURNDY® NOTAPE™ Sleeves Type CM or MOLE™ Insulating Sleeves Type Z-C shown on pages K-35 - K-36.

Clamping Elements — Outlet Symbols A or B, refer to socket and nut Type Z-NR, and cone Type Z cable clamping elements accommodated. These must be ordered separately. Refer to pages K-32 - K-34 for complete listings.



OUTLET RANGE: “A” 6 Str. - 600 kcmil
“B” 2 Str. - 1000 kcmil

K-10

Cable Outlet Arrangement	No. of Outlets	Catalog Number	Length Inches L	Approx. Ship. Wt. Lbs.
All Outlets A	3	ZMT3-15	5	1.3
	5	ZMT5-15	8	3.0
	7	ZMT7-15	11	4.5
	9	ZMT9-15	14	6.2
	11	ZMT11-15	17	7.9
	13	ZMT13-15	20	9.7
	15	ZMT15-15	23	12
	17	ZMT17-15	26	13
Outlet #1 B	3	ZMT3-15A3	5	1.3
All Other Outlets A	5	ZMT5-15A3	8	3.0
	7	ZMT7-15A3	11	4.5
	9	ZMT9-15A3	14	6.2
	11	ZMT11-15A3	17	7.9
	13	ZMT13-15A3	20	9.7
	15	ZMT15-15A3	23	12
	17	ZMT17-15A3	26	13

For outlet combinations not listed call customer service.

Blue highlighted items are industry standard and most frequently ordered.

MOLE™ TYPE ZME

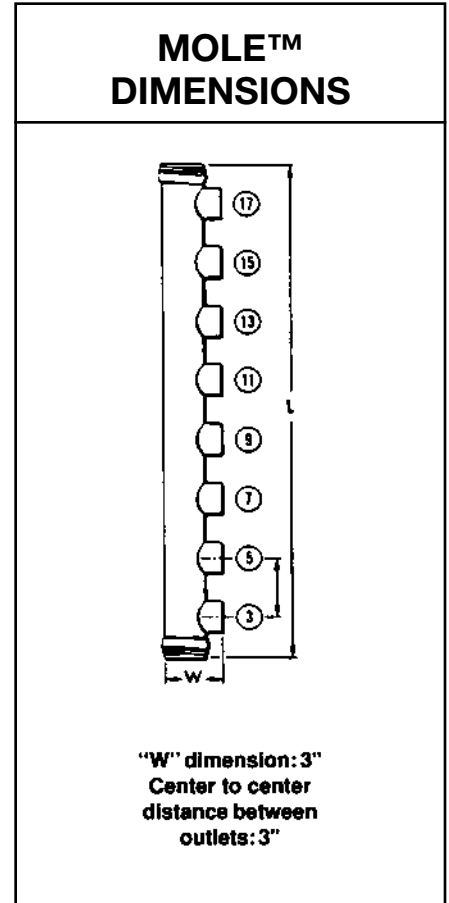
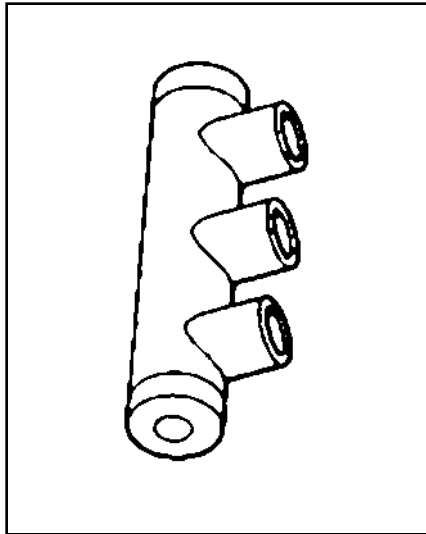
1500 AMPERES

MOLE™ Type ZME — A compact pre-insulated junction for secondary network cables, with multiple outlets for cable clamping elements.

Outlet Plugs — Mole outlet plugs that facilitate sealing outlets not being used are available on page K-31, Types Z-P and K-P.

Insulating Sleeves — Taping operations for watertight joints are greatly simplified by the use of BURNDY® NOTAPE™ Sleeves Type CM or MOLE™ Insulating Sleeves Type Z-C shown on pages K-35 - K-36.

Clamping Elements — Outlet Symbols A or B, refer to socket and nut Type Z-NR, and cone Type Z cable clamping elements accommodated. These must be ordered separately. Refer to pages K-32 - K-34 for complete listings.



OUTLET RANGE: "A" 6 Str. - 600 kcmil

Cable Outlet Arrangement	No. of Outlets	Catalog Number	Length Inches L	Approx. Ship. Wt. Lbs.
All Outlets A	2	ZME2-15	7-1/8	2.5
	3	ZME3-15	10-1/8	4.4
	4	ZME4-15	13-1/8	6.1
	5	ZME5-15	16-1/8	7.7
	6	ZME6-15	19-1/8	9.4
	7	ZME7-15	22-1/8	11
	8	ZME8-15	25-1/8	13

For outlet combinations not listed call customer service

K-11

Blue highlighted items are industry standard and most frequently ordered.

MOLE™ TYPE ZML

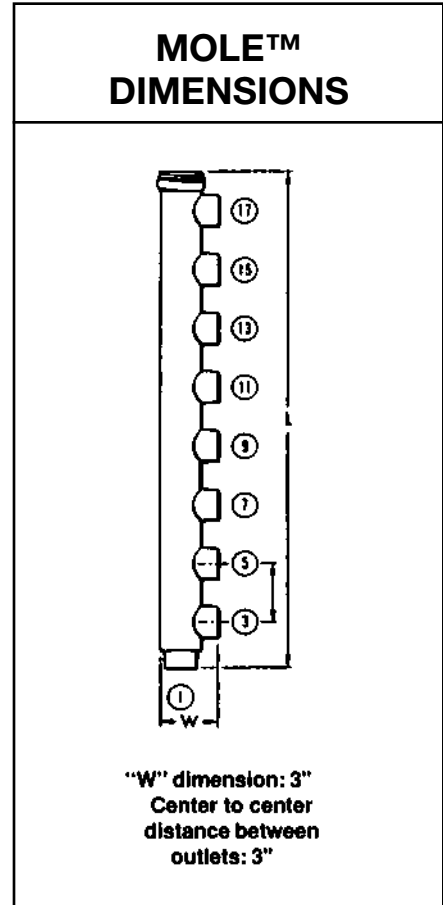
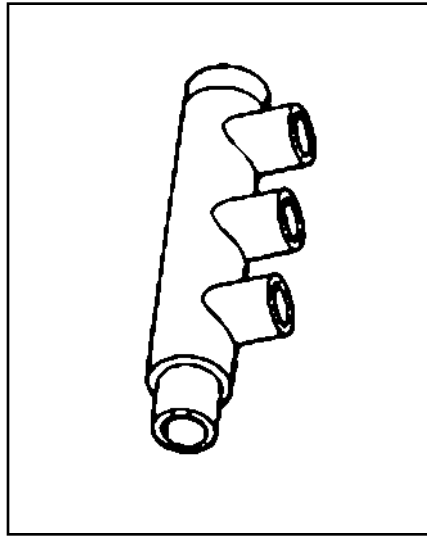
1500 AMPERES

MOLE™ Type ZML — A compact pre-insulated junction for secondary network cables, with multiple outlets for cable clamping elements. Future expansion is provided for by an end outlet which can be joined to an additional MOLE™ by Type ZMS coupler.

Outlet Plugs — MOLE™ outlet plugs that facilitate sealing outlets not being used are available on page K-31, Types Z-P and K-P.

Insulating Sleeves — Taping operations for watertight joints are greatly simplified by the use of BURNDY® NOTAPE™ Sleeves Type CM or MOLE™ Insulating Sleeves Type Z-C shown on pages K-35 - K-36.

Clamping Elements — Outlet Symbols A or B, refer to socket and nut Type Z-NR, and cone Type Z cable clamping elements accommodated. These must be ordered separately. Refer to pages K-32 - K-34 for complete listings.



OUTLET RANGE: “A” 6 Str. - 600 kcmil
 “B” 2 Str. - 1000 kcmil

K-12

Cable Outlet Arrangement	No. of Outlets	Catalog Number	Length Inches L	Approx. Ship. Wt. Lbs.
All Outlets A	2	ZML2-15	5	1.2
	3	ZML3-15	8	3.0
	4	ZML4-15	11	4.3
	5	ZML5-15	14	5.9
	6	ZML6-15	17	7.6
	7	ZML7-15	20	9.4
	8	ZML8-15	23	11
	9	ZML9-15	26	13
	Outlet #1 B	2	ZML2-15A3	5
All Other Outlets A	3	ZML3-15A3	8	3.0
	4	ZML4-15A3	11	4.3
	5	ZML5-15A3	14	5.9
	6	ZML6-15A3	17	7.6
	7	ZML7-15A3	20	9.4
	8	ZML8-15A3	23	11
	9	ZML9-15A3	26	13

For outlet combinations not listed call customer service.

Blue highlighted items are industry standard and most frequently ordered.

MOLE™ TYPE ZMX

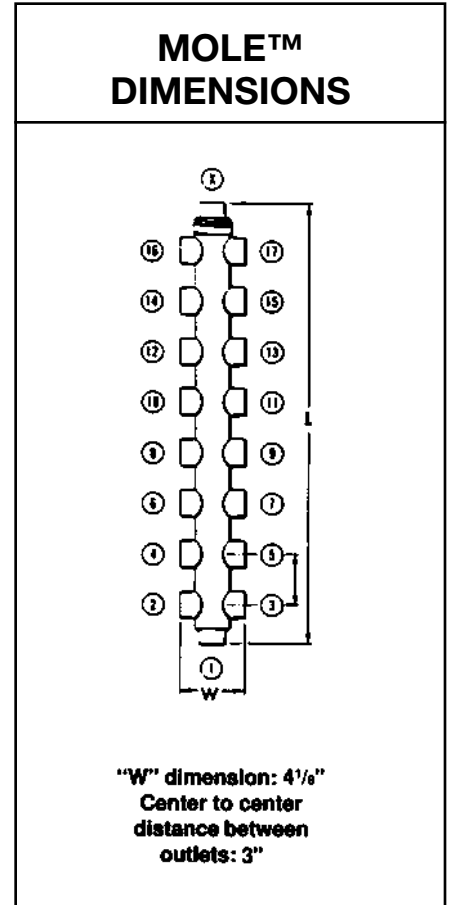
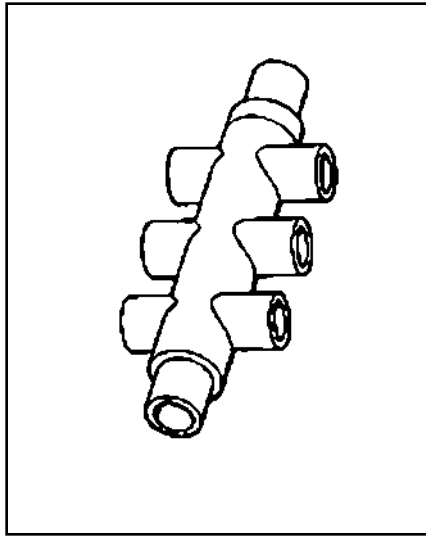
1500 AMPERES

MOLE™ Type ZMX — A compact pre-insulated junction for secondary network cables, with multiple outlets for cable clamping elements. Future expansion is provided for by an end outlet which can be joined to an additional MOLE™ by Type ZMS coupler.

Outlet Plugs — MOLE™ outlet plugs that facilitate sealing outlets not being used are available on page K-31, Types Z-P and K-P.

Insulating Sleeves — Taping operations for watertight joints are greatly simplified by the use of BURNDY® NOTAPE™ Sleeves Type CM or MOLE™ Insulating Sleeves Type Z-C shown on pages K-35 - K-36.

Clamping Elements — Outlet Symbols A or B, refer to socket and nut Type Z-NR, and cone Type Z cable clamping elements accommodated. These must be ordered separately. Refer to pages K-32 - K-34 for complete listings.



OUTLET RANGE: “A” 6 Str. - 600 kcmil
“B” 2 Str. - 1000 kcmil

Cable Outlet Arrangement	No. of Outlets	Catalog Number	Length Inches L	Approx. Ship. Wt. Lbs.
All Outlets A	4	ZMX4-15	6	1.7
	6	ZMX6-15	9	3.4
	8	ZMX8-15	12	5.2
	10	ZMX10-15	15	6.9
	12	ZMX12-15	18	8.8
	14	ZMX14-15	21	11
	16	ZMX16-15	24	12
Outlets #1 and X B	4	ZMX4-15A4	6	1.7
	6	ZMX6-15A4	9	3.4
	8	ZMX8-15A4	12	5.2
	10	ZMX10-15A4	15	6.9
	12	ZMX12-15A4	18	8.8
	14	ZMX14-15A4	21	11
	16	ZMX16-15A4	24	12
All Other Outlets B	4	ZMX4-15A3	6	1.7
	6	ZMX6-15A3	9	3.4
	8	ZMX8-15A3	12	5.2
	10	ZMX10-15A3	15	6.9
	12	ZMX12-15A3	18	8.8
	14	ZMX14-15A3	21	11
	16	ZMX16-15A3	24	12
Outlets #1 or X B	4	ZMX4-15A3	6	1.7
	6	ZMX6-15A3	9	3.4
	8	ZMX8-15A3	12	5.2
	10	ZMX10-15A3	15	6.9
	12	ZMX12-15A3	18	8.8
	14	ZMX14-15A3	21	11
	16	ZMX16-15A3	24	12
All Other Outlets A	4	ZMX4-15A3	6	1.7
	6	ZMX6-15A3	9	3.4
	8	ZMX8-15A3	12	5.2
	10	ZMX10-15A3	15	6.9
	12	ZMX12-15A3	18	8.8
	14	ZMX14-15A3	21	11
	16	ZMX16-15A3	24	12
18	ZMX18-15A3	27	14	

For outlet combinations not listed call customer service.

Blue highlighted items are industry standard and most frequently ordered.

MOLE™ TYPE ZMK

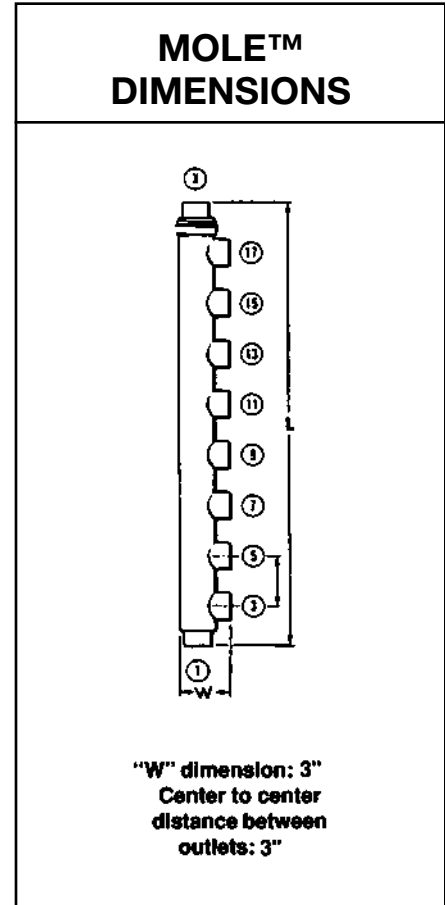
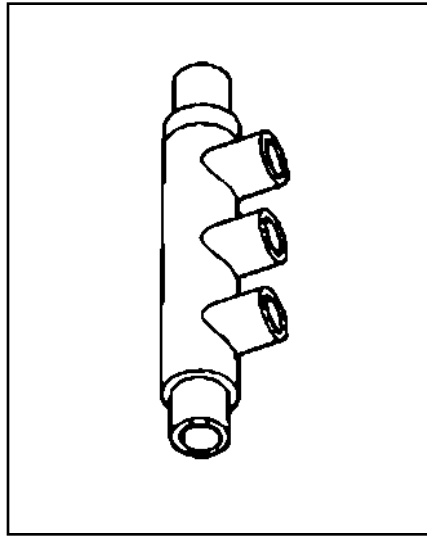
1500 AMPERES

MOLE™ Type ZMK — A compact pre-insulated junction for secondary network cables, with multiple outlets for cable clamping elements. Future expansion is provided for by an end outlet which can be joined to an additional MOLE™ by Type ZMS couplers.

Outlet Plugs — MOLE™ outlet plugs that facilitate sealing outlets not being used are available on page K-31, Types Z-P and K-P.

Insulating Sleeves — Taping operations for watertight joints are greatly simplified by the use of BURNDY® NOTAPE™ Sleeves Type CM or MOLE™ Insulating Sleeves Type Z-C shown on pages K-35 - K-36.

Clamping Elements — Outlet Symbols A or B, refer to socket and nut Type Z-NR, and cone Type Z cable clamping elements accommodated. These must be ordered separately. Refer to pages K-32 - K-34 for complete listings.



OUTLET RANGE: **“A” 6 Str. - 600 kcmil**
 “B” 2 Str. - 1000 kcmil

K-14

Cable Outlet Arrangement	No. of Outlets	Catalog Number	Length Inches L	Approx. Ship. Wt. Lbs.
All Outlets A	4	ZMK4-15	9	3.3
	5	ZMK5-15	12	5.0
	6	ZMK6-15	15	6.8
	7	ZMK7-15	18	8.7
	8	ZMK8-15	21	11
	9	ZMK9-15	24	12
Outlets #1 and X B All Other Outlets A	4	ZMK4-15A4	9	3.3
	5	ZMK5-15A4	12	5.0
	6	ZMK6-15A4	15	6.8
	7	ZMK7-15A4	18	8.7
	8	ZMK8-15A4	21	11
	9	ZMK9-15A4	24	12
Outlets #1 or X B All Other Outlets A	4	ZMK4-15A3	9	3.3
	5	ZMK5-15A3	12	5.0
	6	ZMK6-15A3	15	6.8
	7	ZMK7-15A3	18	8.7
	8	ZMK8-15A3	21	11
	9	ZMK9-15A3	24	12
10	ZMK10-15A3	27	14	

For outlet combinations not listed call customer service.

Blue highlighted items are industry standard and most frequently ordered.

MOLE™ TYPE ZM

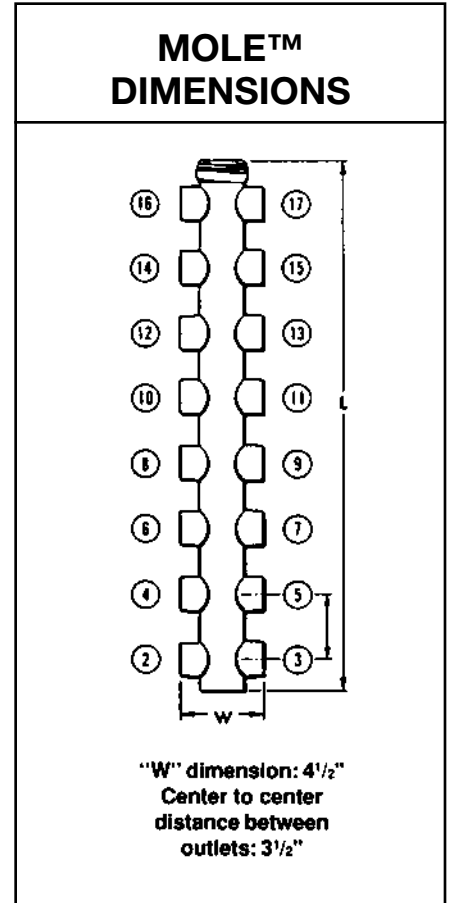
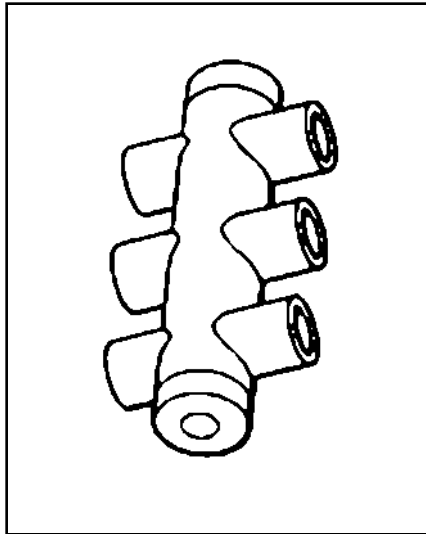
2000-2500 AMPERES

MOLE™ Type ZM — A compact pre-insulated junction for secondary network cables, with multiple outlets for cable clamping elements.

Outlet Plugs — MOLE™ outlet plugs that facilitate sealing outlets not being used are available on page K-31, Types Z-P and K-P.

Insulating Sleeves — Taping operations for watertight joints are greatly simplified by the use of BURNDY® NOTAPE™ Sleeves Type CM or MOLE™ Insulating Sleeves Type Z-C shown on pages K-35 - K-36.

Clamping Elements — Outlet Symbols A or B, refer to socket and nut Type Z-NR, and cone Type Z cable clamping elements accommodated. These must be ordered separately. Refer to pages K-32 - K-34 for complete listings.



OUTLET RANGE: “A” 6 Str. - 600 kcmil
“B” 2 Str. - 1000 kcmil

Cable Outlet Arrangement	No. of Outlets	Catalog Number	Length Inches L	Approx. Ship. Wt. Lbs.
All Outlets A	4	ZM4-25	8	4.4
	6	ZM6-25	11-1/2	7.0
	8	ZM8-25	15	9.7
	10	ZM10-25	18-1/2	13
	12	ZM12-25	22	14
	14	ZM14-25	25-1/2	15
All Outlets B	16	ZM16-25	29	18
	4	ZM4-25B	8	4.4
	6	ZM6-25B	11-1/2	7.0
	8	ZM8-25B	15	9.7
	10	ZM10-25B	18-1/2	13
	12	ZM12-25B	22	14
14	ZM14-25B	25-1/2	15	
16	ZM16-25B	29	18	

For outlet combinations not listed call customer service.

Blue highlighted items are industry standard and most frequently ordered.

MOLE™ TYPE ZMT

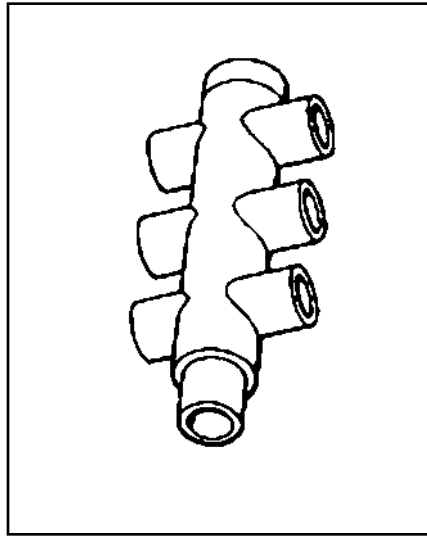
2000-2500 AMPERES

MOLE™ Type ZMT — A compact pre-insulated junction for secondary network cables, with multiple outlets for cable clamping elements. Future expansion is provided for by an end outlet which can be joined to an additional MOLE™ by Type ZMS coupler.

Outlet Plugs — MOLE™ outlet plugs that facilitate sealing outlets not being used are available on page K-31, Types Z-P and K-P.

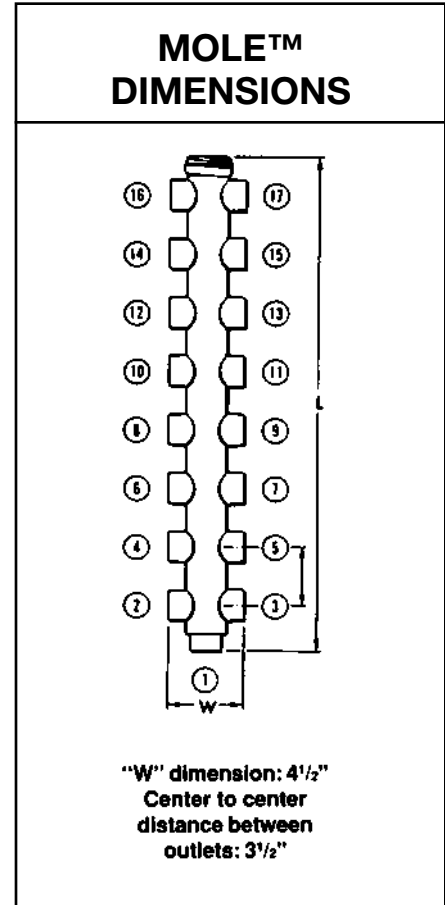
Insulating Sleeves — Taping operations for watertight joints are greatly simplified by the use of BURNDY® NOTAPE™ Sleeves Type CM or MOLE™ Insulating Sleeves Type Z-C shown on pages K-35 - K-36.

Clamping Elements — Outlet Symbols A or B, refer to socket and nut Type Z-NR, and cone Type Z cable clamping elements



accommodated. These must be ordered separately. Refer to pages K-32 - K-34 for complete listings.

OUTLET RANGE: “A” 6 Str. - 600 kcmil
 “B” 2 Str. - 1000 kcmil



K-16

Cable Outlet Arrangement	No. of Outlets	Catalog Number	Length Inches L	Approx. Ship. Wt. Lbs.	
All Outlets A	3	ZMT3-25	5-1/2	1.9	
	5	ZMT5-25	9	5.8	
	7	ZMT7-25	12-1/2	8.0	
	9	ZMT9-25	16	12	
	11	ZMT11-25	19-1/2	14	
	13	ZMT13-25	23	17	
	15	ZMT15-25	26-1/2	18	
Outlet #1 B	3	ZMT3-25A3	5-1/2	1.9	
	5	ZMT5-25A3	9	5.8	
	7	ZMT7-25A3	12-1/2	8.0	
	9	ZMT9-25A3	16	12	
	All Other Outlets A	11	ZMT11-25A3	19-1/2	14
		13	ZMT13-25A3	23	17
		15	ZMT15-25A3	26-1/2	18
Outlet #1 A	3	ZMT3-25B12	5-1/2	1.9	
	5	ZMT5-25B12	9	5.8	
	7	ZMT7-25B12	12-1/2	8.0	
	9	ZMT9-25B12	16	12	
	All Other Outlets B	11	ZMT11-25B12	19-1/2	14
		13	ZMT13-25B12	23	17
		15	ZMT15-25B12	26-1/2	18
All Outlets B	17	ZMT17-25B12	30	19	
	3	ZMT3-25B	5-1/2	1.9	
	5	ZMT5-25B	9	5.8	
	7	ZMT7-25B	12-1/2	8.0	
	9	ZMT9-25B	16	12	
	11	ZMT11-25B	19-1/2	14	
	13	ZMT13-25B	23	17	
15	ZMT15-25B	26-1/2	18		
17	ZMT17-25B	30	19		

For outlet combinations not listed call customer service.

Blue highlighted items are industry standard and most frequently ordered.

MOLE™ TYPE ZME

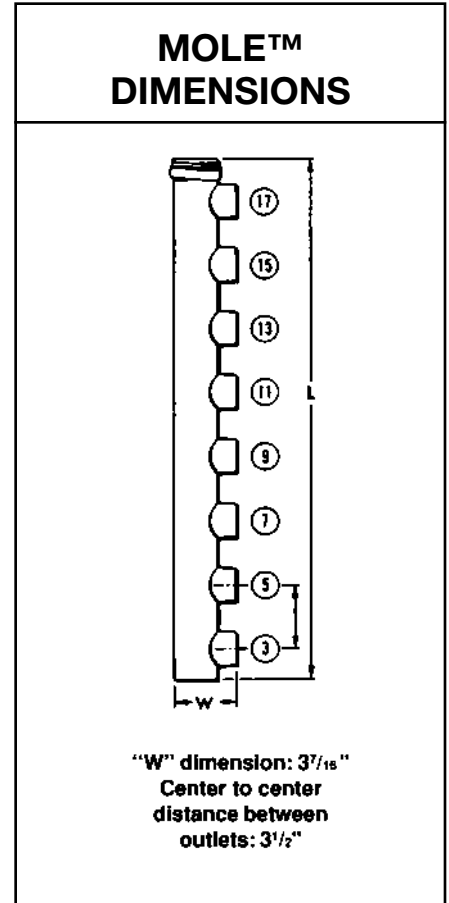
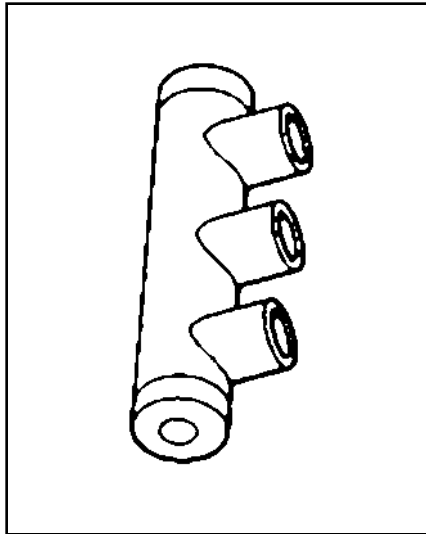
2000-2500 AMPERES

MOLE™ Type ZME — A compact pre-insulated junction for secondary network cables, with multiple outlets for cable clamping elements.

Outlet Plugs — MOLE™ outlet plugs that facilitate sealing outlets not being used are available on page K-31, Types Z-P and K-P.

Insulating Sleeves — Taping operations for watertight joints are greatly simplified by the use of BURNDY® NOTAPE™ Sleeves Type CM or MOLE™ Insulating Sleeves Type Z-C shown on pages K-35 - K-36.

Clamping Elements — Outlet Symbols A or B, refer to socket and nut Type Z-NR, and cone Type Z cable clamping elements accommodated. These must be ordered separately. Refer to pages K-32 - K-34 for complete listings.



OUTLET RANGE: “A” 6 Str. - 600 kcmil
“B” 2 Str. - 1000 kcmil

Cable Outlet Arrangement	No. of Outlets	Catalog Number	Length Inches L	Approx. Ship. Wt. Lbs.
All Outlets A	2	ZME2-25	8	4.3
	3	ZME3-25	11-1/2	6.9
	4	ZME4-25	15	9.5
	5	ZME5-25	18-1/2	12
	6	ZME6-25	22	14
	7	ZME7-25	25-1/2	15
	8	ZME8-25	29	17
	All Outlets B	2	ZME2-25B	8
3		ZME3-25B	11-1/2	6.9
4		ZME4-25B	15	9.5
5		ZME5-25B	18-1/2	12
6		ZME6-25B	22	14
7		ZME7-25B	25-1/2	15
8		ZME8-25B	29	17

For outlet combinations not listed call customer service.

Blue highlighted items are industry standard and most frequently ordered.

MOLE™ TYPE ZML

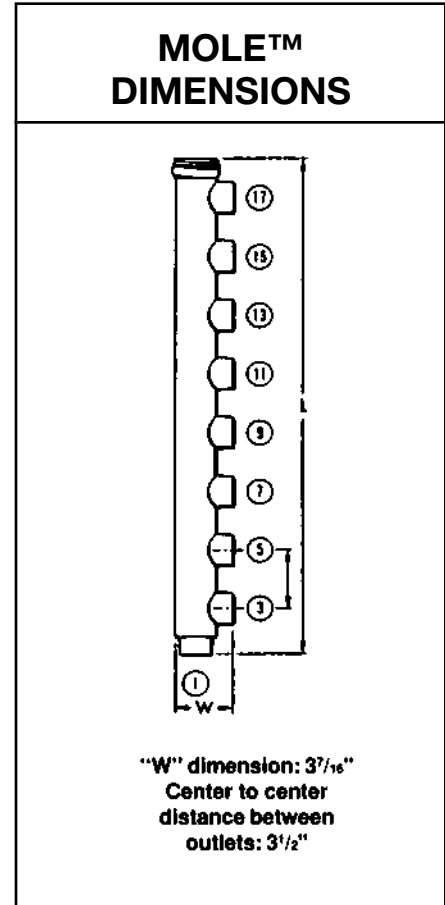
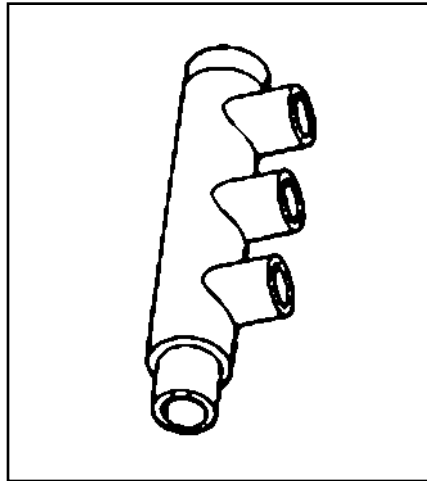
2000-2500 AMPERES

MOLE™ Type ZML — A compact pre-insulated junction for secondary network cables, with multiple outlets for cable clamping elements. Future expansion is provided for by an end outlet which can be joined to an additional MOLE™ by Type ZMS coupler.

Outlet Plugs — MOLE™ outlet plugs that facilitate sealing outlets not being used are available on page K-31, Types Z-P and K-P.

Insulating Sleeves — Taping operations for watertight joints are greatly simplified by the use of BURNDY® NOTAPE™ Sleeves Type CM or MOLE™ Insulating Sleeves Type Z-C shown on pages K-35 - K-36.

Clamping Elements — Outlet Symbols A or B, refer to socket and nut Type Z-NR, and cone Type Z cable clamping elements



accommodated. These must be ordered separately. Refer to pages K-32 - K-34 for complete listings.

OUTLET RANGE: “A” 6 Str. - 600 kcmil
“B” 2 Str. - 1000 kcmil

K-18

Cable Outlet Arrangement	No. of Outlets	Catalog Number	Length Inches L	Approx. Ship. Wt. Lbs.
All Outlets A	2	ZML2-25	5-1/2	1.8
	3	ZML3-25	9	5.8
	4	ZML4-25	12-1/2	7.9
	5	ZML5-25	16	12
	6	ZML6-25	19-1/2	14
	7	ZML7-25	23	16
	8	ZML8-25	26-1/2	17
	9	ZML9-25	30	19
	Outlet #1 B All Other Outlets A	2	ZML2-25A3	5-1/2
3		ZML3-25A3	9	5.8
4		ZML4-25A3	12-1/2	7.9
5		ZML5-25A3	16	12
6		ZML6-25A3	19-1/2	14
7		ZML7-25A3	23	16
8		ZML8-25A3	26-1/2	17
9		ZML9-25A3	30	19
Outlet #1 A All Other Outlets B		2	ZML2-25B12	5-1/2
	3	ZML3-25B12	9	5.8
	4	ZML4-25B12	12-1/2	7.9
	5	ZML5-25B12	16	12
	6	ZML6-25B12	19-1/2	14
	7	ZML7-25B12	23	16
	8	ZML8-25B12	26-1/2	17
	9	ZML9-25B12	30	19
	All Outlets B	2	ZML2-25B	5-1/2
3		ZML3-25B	9	5.8
4		ZML4-25B	12-1/2	7.9
5		ZML5-25B	16	12
6		ZML6-25B	19-1/2	14
7		ZML7-25B	23	16
8		ZML8-25B	26-1/2	17
9		ZML9-25B	30	19

For outlet combinations not listed call customer service.

Blue highlighted items are industry standard and most frequently ordered.

MOLE™ TYPE ZMX

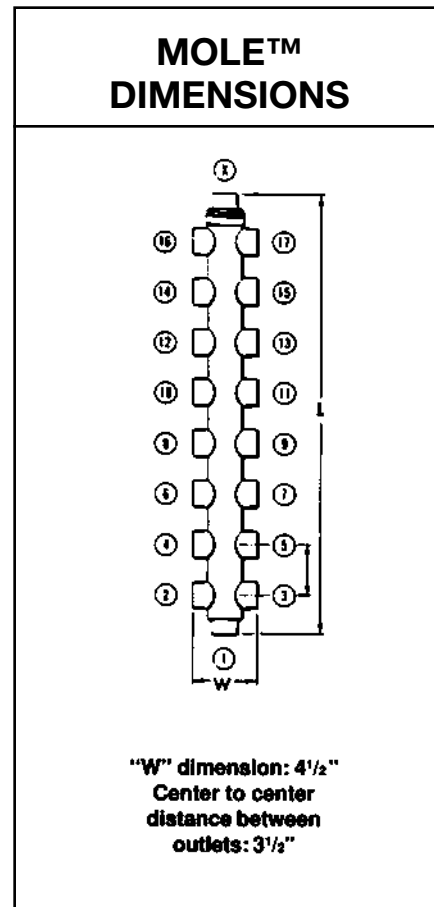
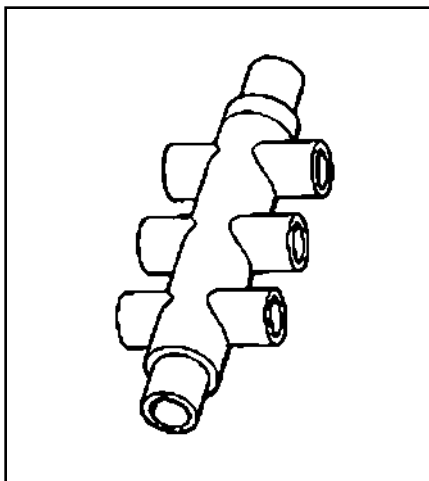
2000-2500 AMPERES

MOLE™ Type ZMX — A compact pre-insulated junction for secondary network cables, with multiple outlets for cable clamping elements. Future expansion is provided for by an outlet on each end which can be joined to additional MOLEs by Type ZMS coupler.

Outlet Plugs — MOLE™ outlet plugs that facilitate sealing outlets not being used are available on page K-31, Types Z-P and K-P.

Insulating Sleeves — Taping operations for watertight joints are greatly simplified by the use of BURNDY® NOTAPE™ Sleeves Type CM or MOLE™ Insulating Sleeves Type Z-C shown on pages K-35 - K-36.

Clamping Elements — Outlet Symbols A or B, refer to socket and nut Type Z-NR, and cone Type Z cable clamping elements accommodated. These must be ordered separately. Refer to pages K-32 - K-34 for complete listings.



OUTLET RANGE: "A" 6 Str. - 600 kcmil
"B" 2 Str. - 1000 kcmil

Cable Outlet Arrangement	No. of Outlets	Catalog Number	Length Inches L	Approx. Ship. Wt. Lbs.
All Outlets A	4	ZMX4-25	6-1/2	2.5
	6	ZMX6-25	10	6.5
	8	ZMX8-25	13-1/2	9.3
	10	ZMX10-25	17	12
	12	ZMX12-25	20-1/2	15
	14	ZMX14-25	24	17
	16	ZMX16-25	27-1/2	18
	18	ZMX18-25	31	19
Outlet #1 and X B All Other Outlets A	4	ZMX4-25A4	6-1/2	2.5
	6	ZMX6-25A4	10	6.5
	8	ZMX8-25A4	13-1/2	9.3
	10	ZMX10-25A4	17	12
	12	ZMX12-25A4	20-1/2	15
	14	ZMX14-25A4	24	17
	16	ZMX16-25A4	27-1/2	18
	18	ZMX18-25A4	31	19
Outlet #1 A All Other Outlets B	4	ZMX4-25B12	6-1/2	2.5
	6	ZMX6-25B12	10	6.5
	8	ZMX8-25B12	13-1/2	9.3
	10	ZMX10-25B12	17	12
	12	ZMX12-25B12	20-1/2	15
	14	ZMX14-25B12	24	17
	16	ZMX16-25B12	27-1/2	18
	18	ZMX18-25B12	31	19
All Outlets B	4	ZMX4-25B	6-1/2	2.5
	6	ZMX6-25B	10	6.5
	8	ZMX8-25B	13-1/2	9.3
	10	ZMX10-25B	17	12
	12	ZMX12-25B	20-1/2	15
	14	ZMX14-25B	24	17
	16	ZMX16-25B	27-1/2	18
	18	ZMX18-25B	31	19

For outlet combinations not listed call customer service.

Blue highlighted items are industry standard and most frequently ordered.

MOLE™ TYPE ZMK

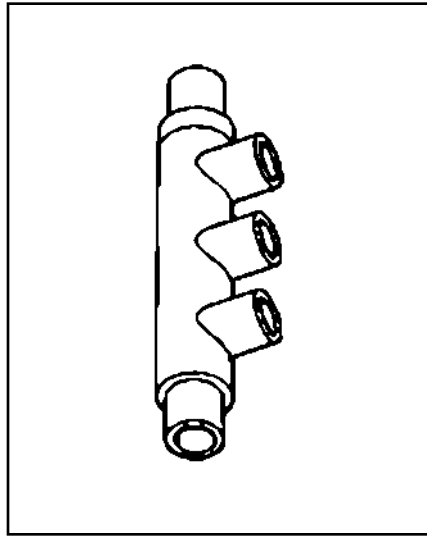
2000-2500 AMPERES

MOLE™ Type ZMK — A compact pre-insulated junction for secondary network cables, with multiple outlets for cable clamping elements. Future expansion is provided for by an outlet on each end which can be joined to additional MOLE™ by Type ZMS coupler.

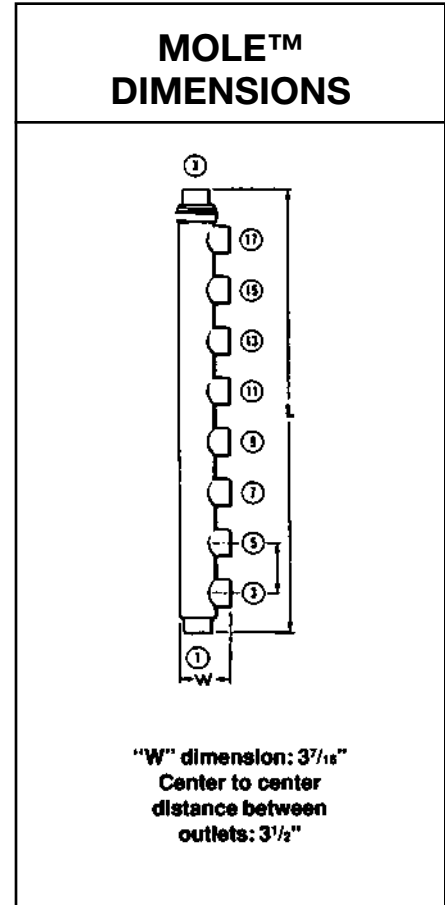
Outlet Plugs — MOLE™ outlet plugs that facilitate sealing outlets not being used are available on page K-31, Types Z-P and K-P.

Insulating Sleeves — Taping operations for watertight joints are greatly simplified by the use of BURNDY® NOTAPE™ Sleeves Type CM or MOLE™ Insulating Sleeves Type Z-C shown on pages K-35 - K-36.

Clamping Elements — Outlet Symbols A or B, refer to socket and nut Type Z-NR, and cone Type Z cable clamping elements



accommodated. These must be ordered separately. Refer to pages K-32 - K-34 for complete listings.



OUTLET RANGE: "A" 6 Str. - 600 kcmil
"B" 2 Str. - 1000 kcmil

K-20

Cable Outlet Arrangement	No. of Outlets	Catalog Number	Length Inches L	Approx. Ship. Wt. Lbs.
All Outlets A	4	ZMK4-25	10	6.3
	5	ZMK5-25	13-1/2	9.1
	6	ZMK6-25	17	12
	7	ZMK7-25	20-1/2	15
	8	ZMK8-25	24	17
	9	ZMK9-25	27-1/2	18
Outlet #1 and X B	4	ZMK4-25A4	10	6.3
	5	ZMK5-25A4	13-1/2	9.1
	6	ZMK6-25A4	17	12
	7	ZMK7-25A4	20-1/2	15
	8	ZMK8-25A4	24	17
	9	ZMK9-25A4	27-1/2	18
All Other Outlets A	10	ZMK10-25A4	31	19
	4	ZMK4-25B12	10	6.3
	5	ZMK5-25B12	13-1/2	9.1
	6	ZMK6-25B12	17	12
	7	ZMK7-25B12	20-1/2	15
	8	ZMK8-25B12	24	17
All Other Outlets B	9	ZMK9-25B12	27-1/2	18
	10	ZMK10-25B12	31	19
	4	ZMK4-25B	10	6.3
	5	ZMK5-25B	13-1/2	9.1
All Outlets B	6	ZMK6-25B	17	12
	7	ZMK7-25B	20-1/2	15
	8	ZMK8-25B	24	17
	9	ZMK9-25B	27-1/2	18
	10	ZMK10-25B	31	19

For outlet combinations not listed call customer service.

Blue highlighted items are industry standard and most frequently ordered.

MOLE™ TYPE ZM

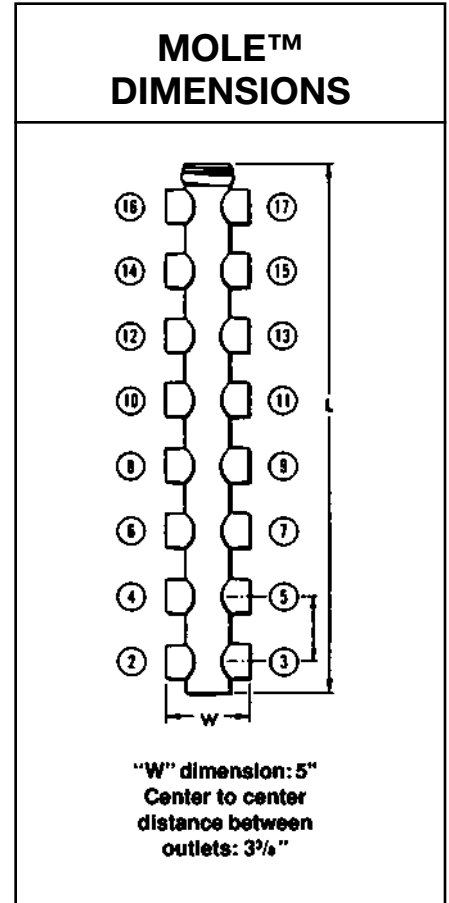
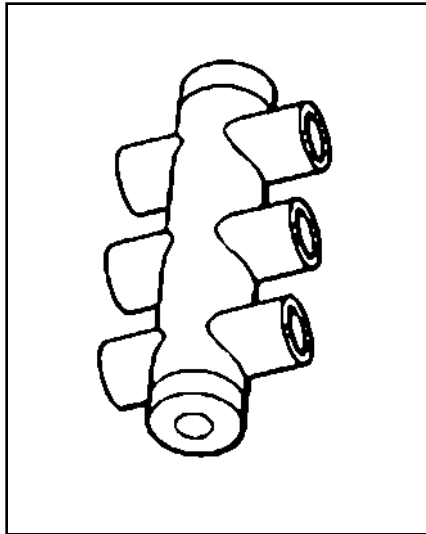
3000 AMPERES

MOLE™ Type ZM — A compact pre-insulated junction for secondary network cables, with multiple outlets for cable clamping elements.

Outlet Plugs — MOLE™ outlet plugs that facilitate sealing outlets not being used are available on page K-31, Types Z-P and K-P.

Insulating Sleeves — Taping operations for watertight joints are greatly simplified by the use of BURNDY® NOTAPE™ Sleeves Type CM or MOLE™ Insulating Sleeves Type Z-C shown on pages K-35 - K-36.

Clamping Elements — Outlet Symbols A or B, refer to socket and nut Type Z-NR, and cone Type Z cable clamping elements accommodated. These must be ordered separately. Refer to pages K-32 - K-34 for complete listings.



OUTLET RANGE: **“A” 6 Str. - 600 kcmil**
 “B” 2 Str. - 1000 kcmil

Cable Outlet Arrangement	No. of Outlets	Catalog Number	Length Inches L	Approx. Ship. Wt. Lbs.
All Outlets A	4	ZM4-30	6-15/16	6.8
	6	ZM6-30	10-5/16	11
	8	ZM8-30	13-11/16	15
	10	ZM10-30	17-1/16	20
	12	ZM12-30	20-7/16	24
	14	ZM14-30	23-13/16	28
All Outlets B	16	ZM16-30	27-3/16	33
	4	ZM4-30B	6-15/16	6.8
	6	ZM6-30B	10-5/16	11
	8	ZM8-30B	13-11/16	15
	10	ZM10-30B	17-1/16	20
	12	ZM12-30B	20-7/16	24
14	ZM14-30B	23-13/16	28	
16	ZM16-30B	27-3/16	33	

For outlet combinations not listed call customer service.

Blue highlighted items are industry standard and most frequently ordered.

MOLE™ TYPE ZMT

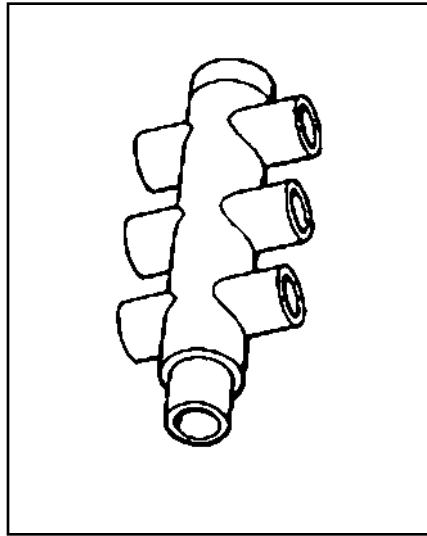
3000 AMPERES

MOLE™ Type ZMT — A compact pre-insulated junction for secondary network cables, with multiple outlets for cable clamping elements. Future expansion is provided for by an end outlet which can be joined to an additional MOLE™ by Type ZMS coupler.

Outlet Plugs — MOLE™ outlet plugs that facilitate sealing outlets not being used are available on page K-31, Types Z-P and K-P.

Insulating Sleeves — Taping operations for watertight joints are greatly simplified by the use of BURNDY® NOTAPE™ Sleeves Type CM or MOLE™ Insulating Sleeves Type Z-C shown on pages K-35 - K-36.

Clamping Elements — Outlet Symbols A or B, refer to socket and nut Type Z-NR, and cone Type Z cable clamping elements

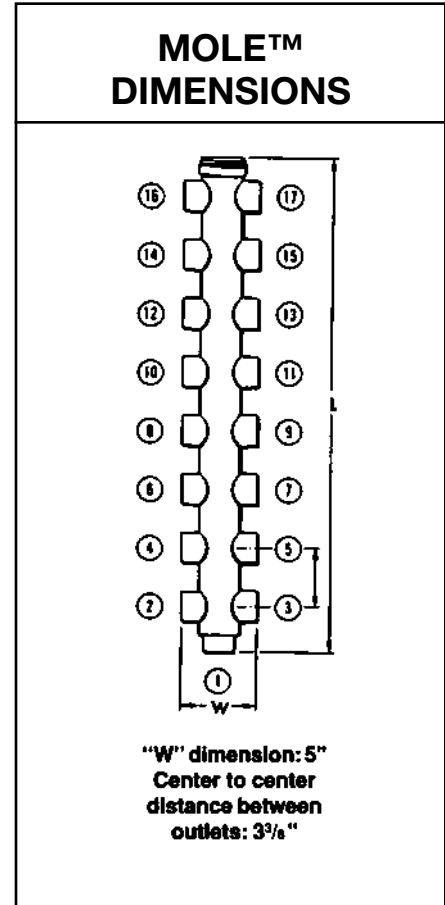


accommodated. These must be ordered separately. Refer to pages K-32 - K-34 for complete listings.

OUTLET RANGE: “A” 6 Str. - 600 kcmil
 “B” 2 Str. - 1000 kcmil

Cable Outlet Arrangement	No. of Outlets	Catalog Number	Length Inches L	Approx. Ship. Wt. Lbs.
All Outlets A	3	ZMT3-30	5-1/2	2.8
	5	ZMT5-30	9-1/8	7.4
	7	ZMT7-30	12-1/2	12
	9	ZMT9-30	15-7/8	16
	11	ZMT11-30	19-1/4	21
	13	ZMT13-30	22-5/8	26
	15	ZMT15-30	26	30
All Outlets B	3	ZMT3-30B	5-1/2	2.8
	5	ZMT5-30B	9-1/8	7.4
	7	ZMT7-30B	12-1/2	12
	9	ZMT9-30B	15-7/8	16
	11	ZMT11-30B	19-1/4	21
	13	ZMT13-30B	22-5/8	26
	15	ZMT15-30B	26	30
17	ZMT17-30B	29-3/8	35	

For outlet combinations not listed call customer service.



MOLE™ TYPE ZME

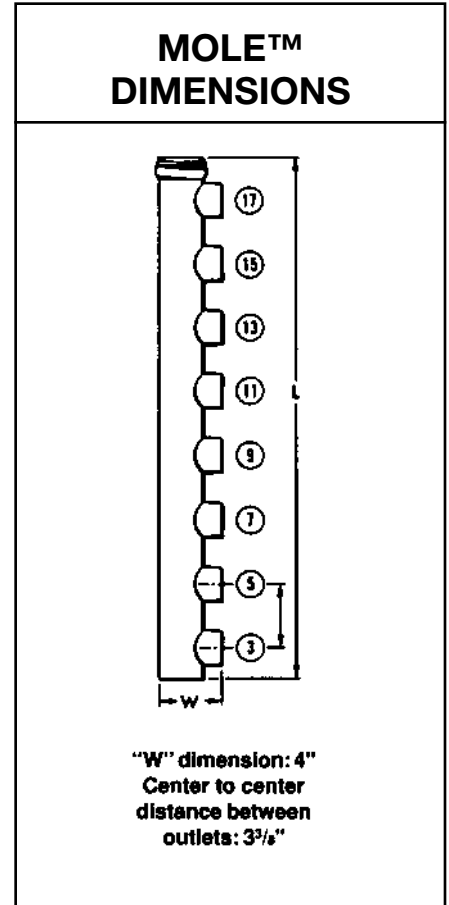
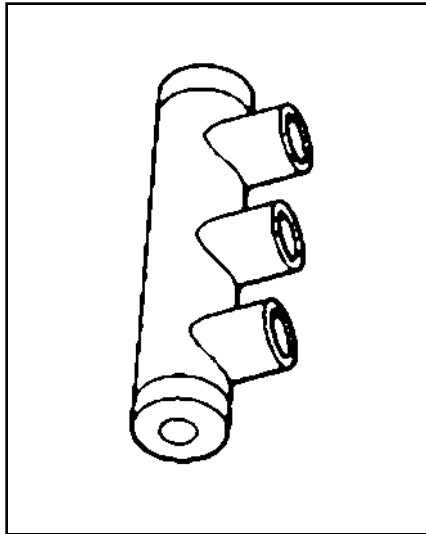
3000 AMPERES

MOLE™ Type ZME — A compact pre-insulated junction for secondary network cables, with multiple outlets for cable clamping elements.

Outlet Plugs — MOLE™ outlet plugs that facilitate sealing outlets not being used are available on page K-31, Types Z-P and K-P.

Insulating Sleeves — Taping operations for watertight joints are greatly simplified by the use of BURNDY® NOTAPE™ Sleeves Type CM or MOLE™ Insulating Sleeves Type Z-C shown on pages K-35 - K-36.

Clamping Element — Outlet Symbols A or B, refer to socket and nut Type Z-NR, and cone Type Z cable clamping elements accommodated. These must be ordered separately. Refer to pages K-32 - K-34 for complete listings.



OUTLET RANGE: "A" 6 Str. - 600 kcmil
"B" 2 Str. - 1000 kcmil

Cable Outlet Arrangement	No. of Outlets	Catalog Number	Length Inches L	Approx. Ship. Wt. Lbs.
All Outlets A	2	ZME2-30	6-15/16	6.5
	3	ZME3-30	10-5/16	11
	4	ZME4-30	13-11/16	15
	5	ZME5-30	17-1/16	19
	6	ZME6-30	20-7/16	24
	7	ZME7-30	23-13/16	28
	8	ZME8-30	27-3/16	32
	All Outlets B	2	ZME2-30B	6-15/16
3		ZME3-30B	10-5/16	11
4		ZME4-30B	13-11/16	15
5		ZME5-30B	17-1/16	19
6		ZME6-30B	20-7/16	24
7		ZME7-30B	23-13/16	28
8		ZME8-30B	27-3/16	32

For outlet combinations not listed call customer service.

Blue highlighted items are industry standard and most frequently ordered.

MOLE™ TYPE ZML

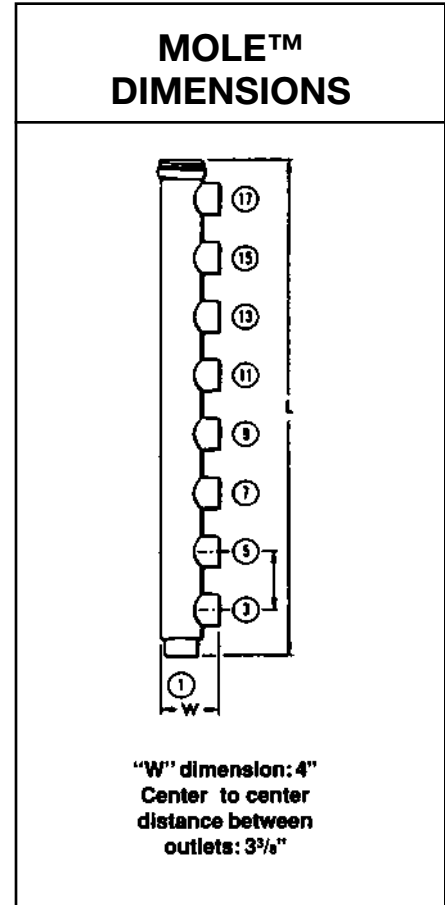
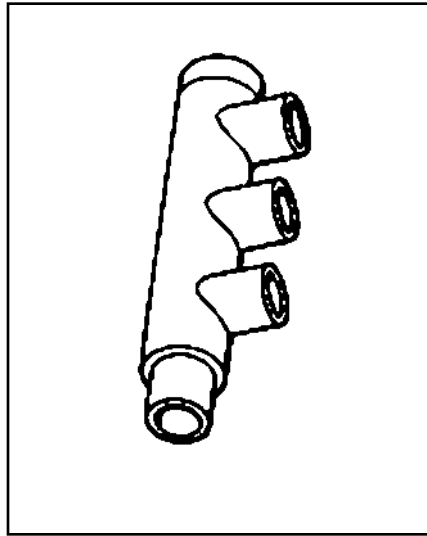
3000 AMPERES

MOLE™ Type ZML — A compact pre-insulated junction for secondary network cables, with multiple outlets for cable clamping elements. Future expansion is provided for by an end outlet which can be joined to an additional MOLE™ by Type ZMS coupler.

Outlet Plugs — MOLE™ outlet plugs that facilitate sealing outlets not being used are available on page K-31, Types Z-P and K-P.

Insulating Sleeves — Taping operations for watertight joints are greatly simplified by the use of BURNDY® NOTAPE™ Sleeves Type CM or MOLE™ Insulating Sleeves Type Z-C shown on pages K-35 - K-36.

Clamping Elements — Outlet Symbols A or B, refer to socket and nut Type Z-NR, and cone Type Z cable clamping elements accommodated. These must be ordered separately. Refer to pages K-32 - K-34 for complete listings.



K-24

OUTLET RANGE: “A” 6 Str. - 600 kcmil
“B” 2 Str. - 1000 kcmil

Cable Outlet Arrangement	No. of Outlets	Catalog Number	Length Inches L	Approx. Ship. Wt. Lbs.
All Outlets A	2	ZML2-30	5-1/2	2.7
	3	ZML3-30	9-1/8	7.3
	4	ZML4-30	12-1/2	12
	5	ZML5-30	15-7/8	16
	6	ZML6-30	19-1/4	21
	7	ZML7-30	22-5/8	25
	8	ZML8-30	26	30
	9	ZML9-30	29-3/8	35
	All Outlets B	2	ZML2-30B	5-1/2
3		ZML3-30B	9-1/8	7.3
4		ZML4-30B	12-1/2	12
5		ZML5-30B	15-7/8	16
6		ZML6-30B	19-1/4	21
7		ZML7-30B	22-5/8	25
8		ZML8-30B	26	30
9		ZML9-30B	29-3/8	35

For outlet combinations not listed call customer service.

Blue highlighted items are industry standard and most frequently ordered.

MOLE™ TYPE ZMX

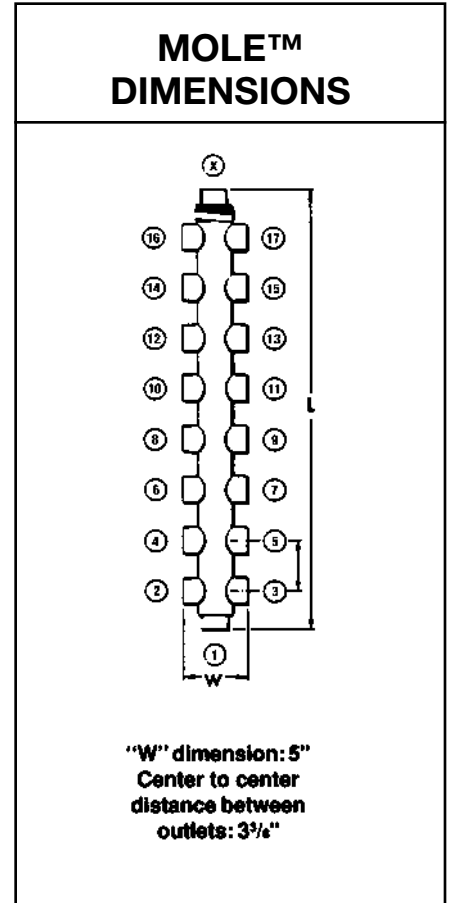
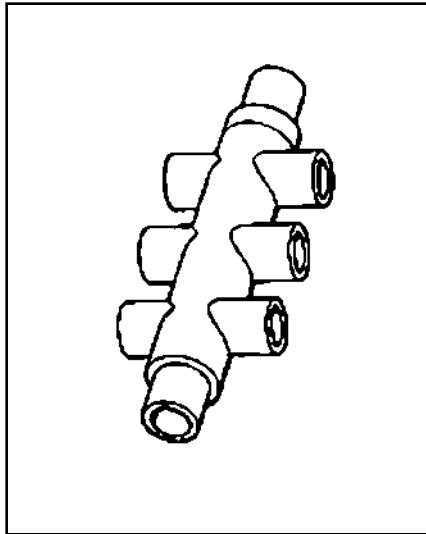
3000 AMPERES

MOLE™ Type ZMX — A compact pre-insulated junction for secondary network cables, with multiple outlets for cable clamping elements. Future expansion is provided for by an end outlet which can be joined to additional MOLE™ by Type ZMS couplers.

Outlet Plugs — MOLE™ outlet plugs that facilitate sealing outlets not being used are available on page K-31, Types Z-P and K-P.

Insulating Sleeves — Taping operations for watertight joints are greatly simplified by the use of BURNDY® NOTAPE™ Sleeves Type CM or MOLE™ Insulating Sleeves Type Z-C shown on pages K-35 - K-36.

Clamping Elements — Outlet Symbols A or B, refer to socket and nut Type Z-NR, and cone Type Z cable clamping elements accommodated. These must be ordered separately. Refer to pages K-32 - K-34 for complete listings.



OUTLET RANGE: “A” 6 Str. - 600 kcmil
“B” 2 Str. - 1000 kcmil

Cable Outlet Arrangement	No. of Outlets	Catalog Number	Length Inches L	Approx. Ship. Wt. Lbs.
All Outlets A	4	ZMX4-30	6-1/2	3.9
	6	ZMX6-30	10-1/8	8.9
	8	ZMX8-30	13-1/2	13
	10	ZMX10-30	16-7/8	18
	12	ZMX12-30	20-1/4	23
	14	ZMX14-30	23-5/8	27
	16	ZMX16-30	27	31
	18	ZMX18-30	30-3/8	35
All Outlets B	4	ZMX4-30B	6-5/8	3.9
	6	ZMX6-30B	10-1/4	8.9
	8	ZMX8-30B	13-5/8	13
	10	ZMX10-30B	17	18
	12	ZMX12-30B	20-3/8	23
	14	ZMX14-30B	23-3/4	27
	16	ZMX16-30B	27-1/8	31
	18	ZMX18-30B	30-1/2	35

For outlet combinations not listed call customer service.

Blue highlighted items are industry standard and most frequently ordered.

MOLE™ TYPE ZMK

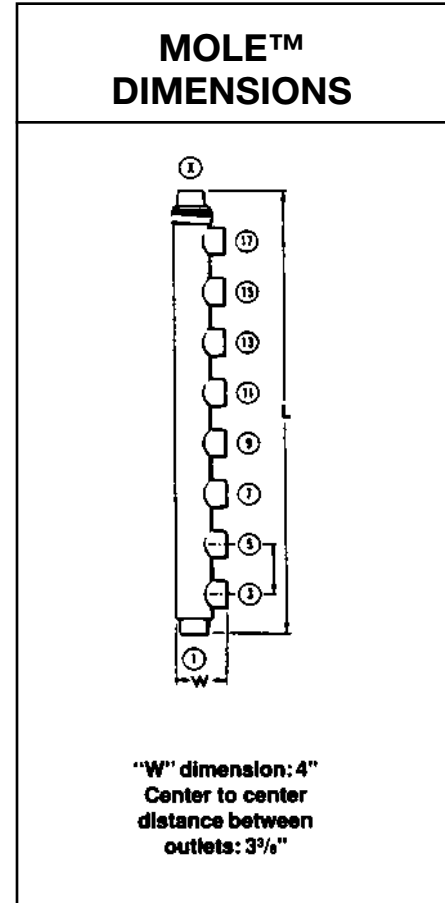
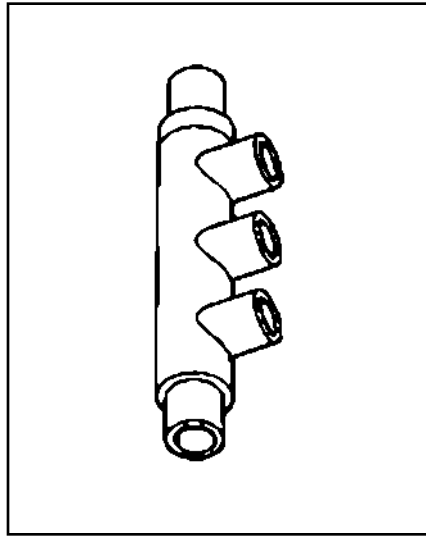
3000 AMPERES

MOLE™ Type ZMK — A compact pre-insulated junction for secondary network cables, with multiple outlets for cable clamping elements. Future expansion is provided for by an outlet on each end which can be joined to additional MOLE™ by Type ZMS couplers.

Outlet Plugs — MOLE™ outlet plugs that facilitate sealing outlets not being used are available on page K-31, Types Z-P and K-P.

Insulating Sleeves — Taping operations for watertight joints are greatly simplified by the use of BURNDY® NOTAPE™ Sleeves Type CM or MOLE™ Insulating Sleeves Type Z-C shown on pages K-35 - K-36.

Clamping Elements — Outlet Symbols A or B, refer to socket and nut Type Z-NR, and cone Type Z cable clamping elements accommodated. These must be ordered separately. Refer to pages K-32 - K-34 for complete listings.



K-26

OUTLET RANGE: "A" 6 Str. - 600 kcmil
"B" 2 Str. - 1000 kcmil

Cable Outlet Arrangement	No. of Outlets	Catalog Number	Length Inches L	Approx. Ship. Wt. Lbs.
All Outlets A	4	ZMK4-30	10-1/8	8.8
	5	ZMK5-30	13-1/2	13
	6	ZMK6-30	16-7/8	18
	7	ZMK7-30	20-1/4	23
	8	ZMK8-30	23-5/8	27
	9	ZMK9-30	27	31
All Outlets B	4	ZMK4-30B	10-1/4	8.8
	5	ZMK5-30B	13-5/8	13
	6	ZMK6-30B	17	18
	7	ZMK7-30B	20-3/8	23
	8	ZMK8-30B	23-3/4	27
	9	ZMK9-30B	27-1/8	31
	10	ZMK10-30B	30-1/2	35

For outlet combinations not listed call customer service.

Blue highlighted items are industry standard and most frequently ordered.

TYPE ZMLDN

MOLE™ STUD CONNECTOR

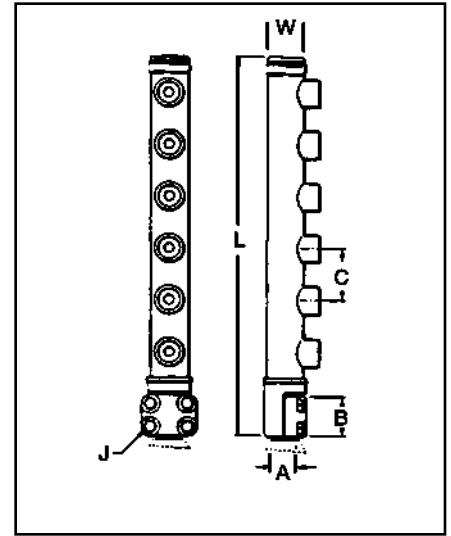
For Connecting Copper Cables to Network Protector

To terminate one or more cables at the studs of distribution transformers, network protectors or other apparatus. The body, except for the stud clamping element is completely insulated. A separate clamping cap over the stud is provided that permits easy removal of the MOLE™ Stud Connector. This permits work to be done on the Network Protector without unduly disturbing the cables.

Outlet Plugs — MOLE™ outlet plugs that facilitate sealing outlets not being used are available on page K-31, Types Z-P and K-P.

Insulating Sleeves — Taping operations for watertight joints are greatly simplified by the use of BURNDY® NOTAPE™ Sleeves Type CM or MOLE™ Insulating Sleeves Type Z-C shown on pages K-35 - K-36.

Clamping Elements — Outlet Symbols A or B, refer to socket and nut Type Z-NR, and cone Type Z cable clamping elements accommodated. These must be ordered separately. Refer to pages K-32 - K-34 for complete listings.



OUTLET RANGE: “A” 6 Str. - 600 kcmil
 “B” 2 Str. - 1000 kcmil

Ampere Capacity	Cable Outlet Arrangement	*No. of Outlets	Catalog Number	A		Dimensions in Inches					Approx. Ship Wt. Lbs.
				Stud Dia.	Threads per Inch	B	C	J	L	W	
1500	All Outlets A	1	ZMLDN1-15	1-1/2	12	2-11/16	—	1/2	7-3/8	3	4.7
		2	ZMLDN2-15	1-1/2	12	2-11/16	3	1/2	10-3/8	3	6.8
		3	ZMLDN3-15	1-1/2	12	2-11/16	3	1/2	13-3/8	3	8.8
		4	ZMLDN4-15	1-1/2	12	2-11/16	3	1/2	16-3/8	3	11
		5	ZMLDN5-15	1-1/2	12	2-11/16	3	1/2	19-3/8	3	13.3
		6	ZMLDN6-15	1-1/2	12	2-11/16	3	1/2	22-3/8	3	15.5
2000	All Outlets A	1	ZMLDN1-20	1-1/2	12	2-11/16	—	1/2	7-7/8	3-7/16	8.5
		2	ZMLDN2-20	1-1/2	12	2-11/16	3-1/2	1/2	11-3/8	3-7/16	12
		3	ZMLDN3-20	1-1/2	12	2-11/16	3-1/2	1/2	14-7/8	3-7/16	14
		4	ZMLDN4-20	1-1/2	12	2-11/16	3-1/2	1/2	18-3/8	3-7/16	17
		5	ZMLDN5-20	1-1/2	12	2-11/16	3-1/2	1/2	21-7/8	3-7/16	20
		6	ZMLDN6-20	1-1/2	12	2-11/16	3-1/2	1/2	25-3/8	3-7/16	23
	All Outlets B	1	ZMLDN1-20B	1-1/2	12	2-11/16	—	1/2	7-7/8	3-7/16	8.5
		2	ZMLDN2-20B	1-1/2	12	2-11/16	3-1/2	1/2	11-3/8	3-7/16	12
		3	ZMLDN3-20B	1-1/2	12	2-11/16	3-1/2	1/2	14-7/8	3-7/16	14
		4	ZMLDN4-20B	1-1/2	12	2-11/16	3-1/2	1/2	18-3/8	3-7/16	17
		5	ZMLDN5-20B	1-1/2	12	2-11/16	3-1/2	1/2	21-7/8	3-7/16	20
		6	ZMLDN6-20B	1-1/2	12	2-11/16	3-1/2	1/2	25-3/8	3-7/16	23

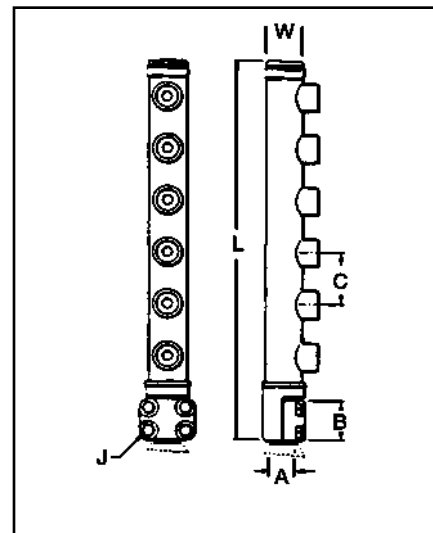
*Can be furnished with more than 6 outlets.

Blue highlighted items are industry standard and most frequently ordered.

TYPE ZMLDN

MOLE™ STUD CONNECTOR

(Continued)



OUTLET RANGE: "A" 6 Str. - 600 kcmil
 "B" 2 Str. - 1000 kcmil

K-28

Ampere Capacity	Cable Outlet Arrangement	*No. of Outlets	Catalog Number	A		Dimensions in Inches					Approx. Ship Wt. Lbs.
				Stud Dia.	Threads per Inch	B	C	J	L	W	
2500	All Outlets A	1	ZMLDN1-25	3	12	3-1/4	—	5/8	8-27/32	3-7/16	11.8
		2	ZMLDN2-25	3	12	3-1/4	3-1/2	5/8	12-11/32	3-7/16	17
		3	ZMLDN3-25	3	12	3-1/4	3-1/2	5/8	15-27/32	3-7/16	19.5
		4	ZMLDN4-25	3	12	3-1/4	3-1/2	5/8	19-11/32	3-7/16	23.7
		5	ZMLDN5-25	3	12	3-1/4	3-1/2	5/8	22-27/32	3-7/16	28
		6	ZMLDN6-25	3	12	3-1/4	3-1/2	5/8	26-11/32	3-7/16	32
	All Outlets B	1	ZMLDN1-25B	3	12	3-1/4	—	5/8	8-27/32	3-7/16	11.8
		2	ZMLDN2-25B	3	12	3-1/4	3-1/2	5/8	12-11/32	3-7/16	17
		3	ZMLDN3-25B	3	12	3-1/4	3-1/2	5/8	15-27/32	3-7/16	19.5
		4	ZMLDN4-25B	3	12	3-1/4	3-1/2	5/8	19-11/32	3-7/16	23.7
		5	ZMLDN5-25B	3	12	3-1/4	3-1/2	5/8	22-27/32	3-7/16	28
		6	ZMLDN6-25B	3	12	3-1/4	3-1/2	5/8	26-11/32	3-7/16	32
3000	All Outlets A	1	ZMLDN1-30	3	12	3-1/4	—	5/8	7-5/8	4	11.5
		2	ZMLDN2-30	3	12	3-1/4	3-3/8	5/8	11-1/4	4	16.8
		3	ZMLDN3-30	3	12	3-1/4	3-3/8	5/8	14-5/8	4	19
		4	ZMLDN4-30	3	12	3-1/4	3-3/8	5/8	18	4	23
		5	ZMLDN5-30	3	12	3-1/4	3-3/8	5/8	21-3/8	4	27
		6	ZMLDN6-30	3	12	3-1/4	3-3/8	5/8	24-3/4	4	31
	All Outlets B	1	ZMLDN1-30B	3	12	3-1/4	—	5/8	7-5/8	4	11.5
		2	ZMLDN2-30B	3	12	3-1/4	3-3/8	5/8	11-1/4	4	16.8
		3	ZMLDN3-30B	3	12	3-1/4	3-3/8	5/8	14-5/8	4	19
		4	ZMLDN4-30B	3	12	3-1/4	3-3/8	5/8	18	4	23
		5	ZMLDN5-30B	3	12	3-1/4	3-3/8	5/8	21-3/8	4	27
		6	ZMLDN6-30B	3	12	3-1/4	3-3/8	5/8	24-3/4	4	31

*Can be furnished with more than 6 outlets.
 For outlet combinations not listed call customer service.

Blue highlighted items are industry standard and most frequently ordered.

TYPE Z2MLDN

MOLE™ STUD CONNECTOR

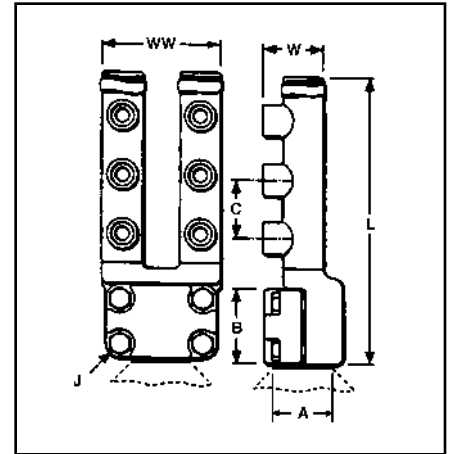
For Connecting Copper Cables to Network Protector

To terminate two or more cables at the studs of distribution transformers, network protectors or other apparatus. The body, except for the stud clamping element is completely insulated. A separate clamping cap over the stud is provided that permits easy removal of the MOLE™ Stud Connector. This permits work to be done on the Network Protector without unduly disturbing the cables.

Outlet Plugs — MOLE™ outlet plugs that facilitate sealing outlets not being used are available on page K-31, Types Z-P and K-P.

Insulating Sleeves — Taping operations for watertight joints are greatly simplified by the use of BURNDY® NOTAPE™ Sleeves Type CM or MOLE™ Insulating Sleeves Type Z-C shown on pages K-35 - K-36.

Clamping Elements — Outlet Symbols A or B, refer to socket and nut Type Z-NR, and cone Type Z cable clamping elements accommodated. These must be ordered separately. Refer to pages K-32 - K-34 for complete listings.



OUTLET RANGE: “A” 6 Str. - 600 kcmil
 “B” 2 Str. - 1000 kcmil

Ampere Capacity	Cable Outlet Arrangement	*No. of Outlets	Catalog Number	A		Dimensions in Inches						Approx. Ship Wt. Lbs.
				Stud Dia.	Threads per Inch	B	C	J	L	W	WW	
2000 & Smaller	All Outlets A	2	Z2MLDN-2-20	1-1/2	12	2-11/16	—	1/2	8	3	5-3/16	5.8
		4	Z2MLDN4-20	1-1/2	12	2-11/16	3	1/2	11	3	5-3/16	9.4
		6	Z2MLDN6-20	1-1/2	12	2-11/16	3	1/2	14	3	5-3/16	13.2
2500 & 3000	All Outlets A	2	Z2MLDN2-30	3	12	3-1/4	—	5/8	9	3	6-1/2	7.3
		4	Z2MLDN4-30	3	12	3-1/4	3	5/8	12	3	6-1/2	12.5
		6	Z2MLDN6-30	3	12	3-1/4	3	5/8	15	3	6-1/2	16.3
	All Outlets B	2	Z2MLDN2-30B	3	12	3-1/4	—	5/8	9	3-1/2	6-1/2	11.2
		4	Z2MLDN4-30B	3	12	3-1/4	3-1/2	5/8	12-1/2	3-1/2	6-1/2	16.1
		6	Z2MLDN6-30B	3	12	3-1/4	3-1/2	5/8	16	3-1/2	6-1/2	21.3

*Can be furnished with more than 6 outlets.
 For outlet combinations not listed call customer service.

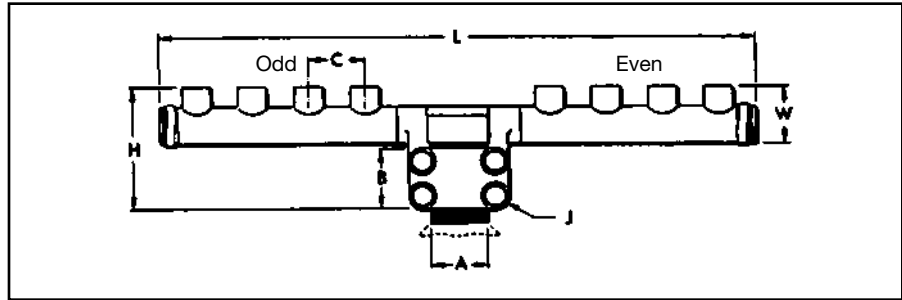
Blue highlighted items are industry standard and most frequently ordered.

TYPE ZMDN

MOLE™ STUD CONNECTOR

For Connecting Copper Cables to Network Protector

To terminate one or more cables at the studs of distribution transformers, network protectors or other apparatus. The body, except for the stud clamping element is completely insulated. A separate clamping cap over the stud is provided that permit easy removal of the MOLE™ Stud Connector. This permits work to be done on the Network Protector without unduly disturbing the cables.



Outlet Plugs — MOLE™ outlet plugs that facilitate sealing outlets not being used are available on page K-31, Types Z-P and K-P.

Insulating Sleeves — Taping operations for watertight joints are greatly simplified by the use of BURNDY® NOTAPE™ Sleeves Type CM or MOLE™ Insulating Sleeves Type Z-C shown on pages K-35 - K-36.

Clamping Elements — Outlet Symbols A or B, refer to socket and nut Type Z-NR, and cone Type Z cable clamping elements accommodated. These must be ordered separately. Refer to pages K-32 - K-34 for complete listings.

K-30

OUTLET RANGE: "A" 6 Str. - 600 kcmil
 "B" 2 Str. - 1000 kcmil

Ampere Capacity	Cable Outlet Arrangement	*No. of Outlets	Catalog Number	A		Dimensions in Inches						Approx. Ship Wt. Lbs.
				Stud Dia.	Threads per Inch	B	C	J	H	L	W	
2000 & Smaller	All Outlets A	3	ZMDN3-20	1-1/2	12	2-11/16	3-1/2	1/2	8-1/16	11-1/2	3-7/16	14.5
		4	ZMDN4-20	1-1/2	12	2-11/16	3-1/2	1/2	8-1/16	15	3-7/16	17.5
		5	ZMDN5-20	1-1/2	12	2-11/16	3-1/2	1/2	8-1/16	18-1/2	3-7/16	20.5
		6	ZMDN6-20	1-1/2	12	2-11/16	3-1/2	1/2	8-1/16	22	3-7/16	23.5
	All Outlets B	3	ZMDN3-20B	1-1/2	12	2-11/16	3-1/2	1/2	8-1/16	11-1/2	3-7/16	14.5
		4	ZMDN4-20B	1-1/2	12	2-11/16	3-1/2	1/2	8-1/16	15	3-7/16	17.5
2000 Through 2500	All Outlets A	3	ZMDN3-25	3	12	3-1/4	3-1/2	5/8	8-5/8	11-1/2	3-7/16	26.5
		4	ZMDN4-25	3	12	3-1/4	3-1/2	5/8	8-5/8	15	3-7/16	20.5
		5	ZMDN5-25	3	12	3-1/4	3-1/2	5/8	8-5/8	18-1/2	3-7/16	23.5
		6	ZMDN6-25	3	12	3-1/4	3-1/2	5/8	8-5/8	22	3-7/16	26.5

*Can be furnished with more than 6 outlets.
 For outlet combinations not listed call customer service.
 For connectors with an odd number of outlets the odd and even split of outlets will be as indicated in the diagram.

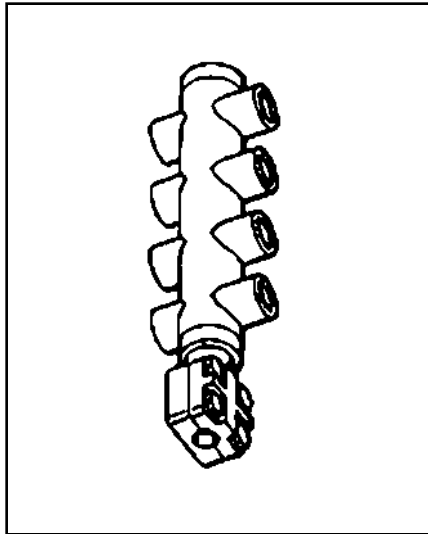
Blue highlighted items are industry standard and most frequently ordered.

TYPE ZMTDN

MOLE™ STUD CONNECTOR

For Connecting Copper Cables to Network Protector

To terminate two or more cables at the studs of distribution transformers, network protectors or other apparatus. The body, except for the stud clamping element is completely insulated. A separate clamping cap over the stud is provided that permits easy removal of the MOLE™ Stud Connector. This permits work to be done on the Network Protector without unduly disturbing the cables.

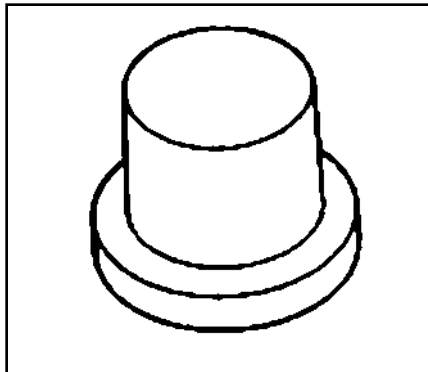


K-31

TYPES Z-P AND K-P

MOLE™ OUTLET PLUGS

These plugs facilitate sealing MOLE™ outlets not being used.



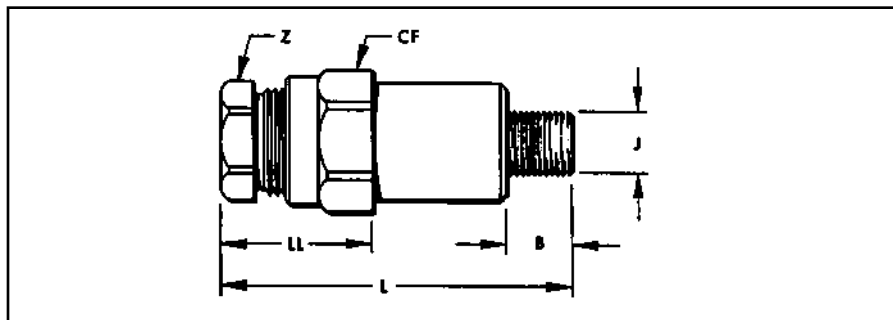
Catalog Number	Used On Outlet Size
Z29P	A
Z34P	B
K29P	KM MOLE
Z40P	C

Blue highlighted items are industry standard and most frequently ordered.

TYPE Z-NR

SOCKET AND NUT ASSEMBLY

Designed for use with BURNDY® MOLEs. With the use of the proper compression cones (see pages 33-34) 14 sizes take a range of cables from No. 6 to 1000 kcmil. Their compact design lends them to easy effective taping. Insulating sleeves are available to keep taping to a minimum.



OUTLET RANGE: "A" 6 Str. - 600 kcmil
"B" 2 Str. - 1000 kcmil

To be Used in MOLE™ Outlet Size	Maximum Cable Accommodated by Socket	Stud Size J	Catalog Number	Dimensions in Inches					Approx. Ship Wt. in Lbs.
				B	CF (Cross Flats)	L	LL	Z (Cross Flats)	
A	4/0 Str.	5/8-18	Z28NR	17/32	1-1/8	3-7/16	1-1/2	7/8	.72
	250 kcmil	5/8-18	Z29NR	17/32	1-3/16	3-9/16	1-5/8	15/16	.76
	300 kcmil	5/8-18	Z30NR	17/32	1-1/4	3-5/8	1-11/16	1	.80
	400 kcmil	5/8-18	Z32NR	17/32	1-3/8	3-5/8	1-11/16	1-1/8	.90
	500 kcmil	5/8-18	Z34NR	17/32	1-1/2	3-11/16	1-3/4	1-1/4	1.2
	600 kcmil	5/8-18	Z36NR	17/32	1-1/2	3-13/16	1-7/8	1-5/16	1.4
B	800 kcmil	5/8-18	Z40NRA ①	17/32	1-13/16	5-17/32	2-1/4	1-1/2	2.4
	500 kcmil	7/8-14	Z34NRB ②	11/16	1-1/2	3-11/16	1-3/4	1-1/4	1.5
	800 kcmil	7/8-14	Z40NR	11/16	1-13/16	4-3/8	2-1/4	1-1/2	1.9
	1000 kcmil	7/8-14	Z44NR	11/16	1-15/16	6-1/16	2-7/16	1-5/8	2.5

K-32

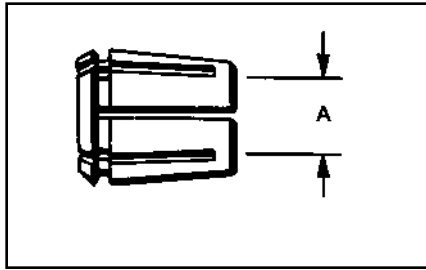
① Uses Insulating Sleeve Z104C4434 (see page 36).
 ② Uses Insulating Sleeve Z88C3429 (see page 36).

Blue highlighted items are industry standard and most frequently ordered.

TYPE Z

MOLE™ COMPRESSION CONE

For use with Socket and Nut assembly shown on page 32; the Z cone is machined to close tolerances to provide maximum secureness in gripping a wide range of cable sizes. Annular grooves in the inner barrel of the cone serve to further accomplish this result.



Cable Size	For Use with Socket and Nut Assembly. See Page K-32	Catalog Number	A	App. Ship Wt. in Lbs. per C	
			Inches	C	
#6 Str.	Z28NR	Z6C28	.183	8.0	
#4 Str.		Z4C28	.231	7.5	
#2 Str.		Z2C28	.291	7.0	
1/0 Str.		Z2528	.373	6.0	
3/0 Str.		Z2728	.470	4.3	
4/0 Str.		Z2828	.528	3.3	
#6 Str.	Z29NR	Z6C29	.183	9.5	
#4 Str.		Z4C29	.231	9.3	
#2 Str.		Z2C29	.291	8.5	
#1 Str.		Z1C29	.330	8.0	
1/0 Str.		Z2529	.373	7.0	
2/0 Str.		Z2629	.416	6.3	
4/0 Str.		Z2829	.528	3.8	
250 kcmil		Z2929	.575	3.3	
#6 Str.		Z30NR	Z6C30	.183	16
#4 Str.	Z4C30		.231	15	
#2 Str.	Z2C30		.291	14	
#1 Str.	Z1C30		.330	14	
1/0 Str.	Z2530		.373	13	
2/0 Str.	Z2630		.416	12	
3/0 Str.	Z2730		.470	11	
4/0 Str.	Z2830		.528	9.3	
250 kcmil	Z2930		.575	8.0	
300 kcmil	Z3030		.630	6.3	
#2 Str.	Z32NR		Z2C32	.291	21
#1 Str.			Z1C32	.330	20
1/0 Str.			Z2532	.373	19
2/0 Str.		Z2632	.416	18	
3/0 Str.		Z2732	.470	17	
4/0 Str.		Z2832	.528	15	
250 kcmil		Z2932	.575	14	
300 kcmil		Z3032	.630	12	
350 kcmil		Z3132	.681	9.8	
400 kcmil		Z3232	.728	8.0	
#2 Str.		Z34NR & Z34NRB	Z2C34	.291	29
#1 Str.	Z1C34		.330	28	
1/0 Str.	Z2534		.373	27	
2/0 Str.	Z2634		.416	26	
3/0 Str.	Z2734		.470	25	

Cable Size	For Use with Socket and Nut Assembly. See Page K-32	Catalog Number	A	App. Ship Wt. in Lbs. per C
			Inches	C
4/0 Str.	Z34NR & 34NRB	Z2834	.528	22
250 kcmil		Z2934	.575	21
300 kcmil		Z3034	.630	19
350 kcmil		Z3134	.681	17
400 kcmil		Z3234	.728	15
450 kcmil		Z3334	.772	13
500 kcmil		Z3434	.814	11
250 kcmil	Z36NR	Z2936	.575	32
300 kcmil		Z3036	.630	30
350 kcmil		Z3136	.681	28
400 kcmil		Z3236	.728	26
450 kcmil		Z3336	.772	23
500 kcmil		Z3436	.814	21
550 kcmil		Z3536	.855	19
600 kcmil		Z3636	.893	17
250 kcmil	Z40NR & Z40NRA	Z2940	.575	49
300 kcmil		Z3040	.630	47
350 kcmil		Z3140	.681	44
400 kcmil		Z3240	.728	41
450 kcmil		Z3340	.772	39
500 kcmil		Z3440	.814	36
550 kcmil		Z3540	.855	33
600 kcmil		Z3640	.893	31
650 kcmil		Z3740	.929	29
700 kcmil		Z3840	.964	25
750 kcmil		Z3940	.998	23
800 kcmil		Z4040	1.031	21
500 kcmil		Z44NR	Z3444	.814
550 kcmil	Z3544		.855	51
600 kcmil	Z3644		.893	49
650 kcmil	Z3744		.929	47
700 kcmil	Z3844		.964	43
750 kcmil	Z3944		.998	40
800 kcmil	Z4044		1.031	38
850 kcmil	Z4144		1.062	35
900 kcmil	Z4244		1.093	32
950 kcmil	Z4344		1.123	28
1000 kcmil	Z4444	1.152	24	

K-33

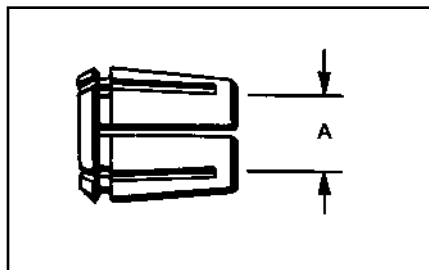
Blue highlighted items are industry standard and most frequently ordered.

MOLE™ TYPE Z

COMPRESSION CONE

For Compact Conductor

For use with Socket and Nut assembly shown on page 32; the Z cone is machined to close tolerances to provide maximum secureness in gripping a wide range of cable sizes. Annular grooves in the inner barrel of the cone serve to further accomplish this result.



K-34

Compact Stranded Copper Cable			
Compact Cable Size	Nominal Conductor Diameter	Type Z Cone	Socket and Nut Assembly
#2	0.268	Z3C28	Z28NR
#1	0.299	Z2C28	
1/0	0.336	Z1C28	
2/0	0.376	Z2528	
3/0	0.423	Z2628	
4/0	0.475	Z2728	
#1	0.299	Z2C29	Z29NR
1/0	0.336	Z1C29	
2/0	0.376	Z2529	
3/0	0.423	Z2629	
4/0	0.475	Z2729	
250 kcmil	0.520	Z2829	
300 kcmil	0.570	Z2929	Z30NR
1/0	0.336	Z1C30	
2/0	0.376	Z2530	
3/0	0.423	Z2630	
4/0	0.475	Z2730	
250 kcmil	0.520	Z2830	
300 kcmil	0.570	Z2930	Z32NR
1/0	0.336	Z1C32	
2/0	0.376	Z2532	
3/0	0.423	Z2632	
4/0	0.475	Z2732	
250 kcmil	0.520	Z2832	
300 kcmil	0.570	Z2932	Z34NR
500 kcmil	0.736	Z3232	
2/0	0.376	Z2534	
3/0	0.423	Z2634	
4/0	0.475	Z2734	
250 kcmil	0.520	Z2834	
300 kcmil	0.570	Z2934	
500 kcmil	0.736	Z3234	
550 kcmil	0.775	Z3334	
600 kcmil	0.813	Z3434	

Compact Stranded Copper Cable			
Compact Cable Size	Nominal Conductor Diameter	Type Z Cone	Socket and Nut Assembly
2/0	0.376	Z2536	Z36NR
3/0	0.423	Z2636	
4/0	0.475	Z2736	
250 kcmil	0.520	Z2836	
300 kcmil	0.570	Z2936	
500 kcmil	0.736	Z3236	
550 kcmil	0.775	Z3336	Z40NR
600 kcmil	0.813	Z3436	
750 kcmil	0.908	Z3636	
3/0	0.423	Z2640	
4/0	0.475	Z2740	
250 kcmil	0.520	Z2840	
300 kcmil	0.570	Z2940	Z44NR
500 kcmil	0.736	Z3240	
550 kcmil	0.775	Z3340	
600 kcmil	0.813	Z3440	
750 kcmil	0.908	Z3640	
250 kcmil	0.520	Z2844	
300 kcmil	0.570	Z2944	
500 kcmil	0.736	Z3244	
550 kcmil	0.775	Z3344	
600 kcmil	0.813	Z3444	
750 kcmil	0.908	Z3644	

Blue highlighted items are industry standard and most frequently ordered.

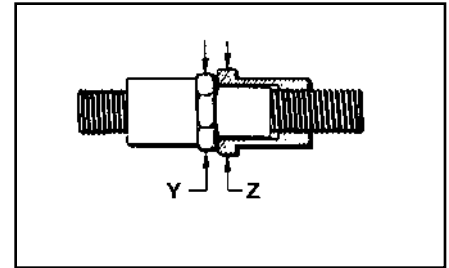
TYPE ZMS

MOLE™ COUPLER

For Connecting MOLEs

A compact, easy-to-tape MOLE™ Coupler for joining MOLEs end-to-end. Allows for expansion of underground systems by joining MOLEs to existing MOLE™ installations. Easily assembled to the end outlets of MOLE™ Types ZMT, ZMX, ZML, and ZMK.

Can also be used in side outlets for other types of MOLE™ arrangements. The MOLE™ Coupler has a lock-nut feature which permits pre-positioning of the added MOLE™, and facilitates training of new cables. Makes an effective electrical and mechanical connection.



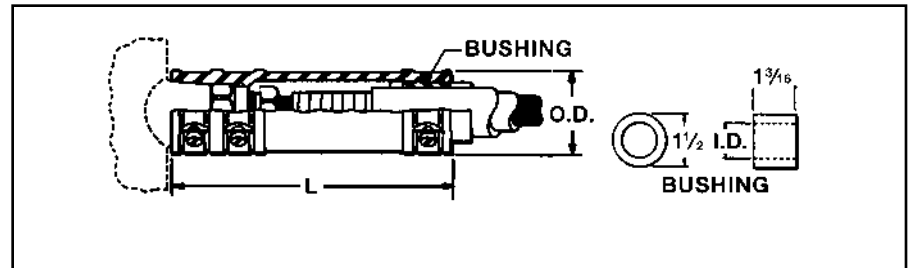
OUTLET RANGE: “A” (5/8”) 6 Str. - 600 kcmil
 “B” (7/8”) 2 Str. - 1000 kcmil
 “C” (1-1/8”) 500 - 1500 kcmil

MOLE™ Outlet Size	MOLE™ Coupler	MOLE™ Coupler Ampere Capacity	Dimensions in Inches			Approx. Ship Wt. Lbs.
			Overall Length	Cross Flats		
				Y	Z	
A	ZMS29	1200	4-21/32	1-3/16	1-3/8	1.3
B	ZMS34	1600	5-7/32	1-1/2	1-3/4	2.3
C	ZMS40	2000	5-3/4	1-3/4	2-1/8	3.3

TYPE CM

NOTAPE™ MOLE™ SLEEVE

The BURNDY® NOTAPE MOLE™ Sleeve effectively eliminates the necessity of taping from the MOLE™ outlet to the insulation of the incoming cable. The sleeve fits snugly over the MOLE™ outlet and is held securely in place by a non-corrosive clamp. Bushings inside the sleeve are supplied to fit closely over the insulation of the cable. The other end of the assembly is clamped to the cable insulation. For rubber insulated cable two clamps are supplied. For oil filled cables a third clamp is provided to effect an oil-tight joint.



OUTLET RANGE: “A” 6 Str. - 600 kcmil

To be Used Over Outlet Size	Type of Cable Insulation	Cable Range Accommodated	Sleeve & Clamps				App. Ship. Wt. Ea. in Lbs.	Bushing		
			Catalog No. Sleeve & Clamps Only	For Use Sockets & Nut Ass'y	Dimensions in Inches			Catalog No. Bushing Only	I.D.	App. Ship. Wt. Ea. in Lbs.
					L	O.D.				
A	Rubber or Rubber-Lead	#6 Str. to 600 kcmil	CM29L	Z28NR to Z36NR	6-1/4	2-1/4	1.1	CMB-29R	†	.20
		#6-4/0 Str.	CM2829P	Z28NR	6-1/4	2-1/4	1.1	CMB-29P	‡	.20
	#6-250 kcmil	CM2929P	Z29NR							
	#6-300 kcmil	CM3029P	Z30NR							
	#2-400 kcmil	CM3229P	Z32NR							
	Paper-Lead or Vanished Cambric	#2-500 kcmil	CM3429P	Z34NR	6-1/4	2-1/4	1.1	CMB-29P	‡	.20
250-600 kcmil		CM3629P	Z36NR							

† Diameter over rubber insulation or lead sheath to be specified by customer.
 ‡ Diameter over lead sheath to be specified by customer.

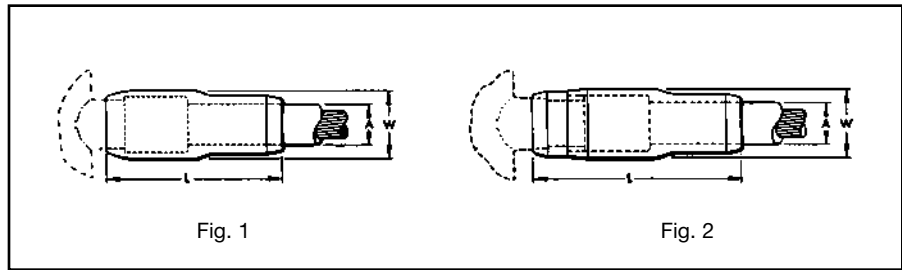
Bushings must be ordered separately. They are not supplied with the sleeve. The bushing inside diameter is sized in 64ths (e.g., CMB4829R has a 0.750" or 48/64ths inside diameter).

Blue highlighted items are industry standard and most frequently ordered.

TYPE Z-C

**MOLE™ OUTLET
INSULATING SLEEVE**

An effective aid in insulating MOLE™ outlets to produce a secure watertight joint with a minimum of taping. Fits over the MOLE™ outlet and over the maximum outer diameter of insulated cable. The difference between the I.D. of the standard sleeve and the O.D. of the cable insulation is taken up by wrapping the cable with several turns of rubber tape. The only external taping required to effectively seal the joint is the small area at each end of the sleeve.



K-36

Catalog Number	For Use with Socket and Nut Assemblies See page K-32	Fig. No.	Dimensions in Inches			Approx. Ship. Wt. in Lbs. per C
			*A (Max.)	L	W	
Z72C3029	Z28NR Z29NR Z30NR	1	1-1/8	4-3/4	1-7/8	20
Z88C3429	Z32NR Z34NR Z34NRB Z36NR	1	1-3/8	5-3/16	2-1/8	30
Z104C4034	Z40NR	1	1-5/8	5-13/16	2-11/6	60
Z104C4434	Z44NR Z40NRA	2	1-5/8	7-3/16	2-11/6	70
Z144C4840	Z45NR Z46NR Z47NR Z48NR	2	2-1/4	9-5/16	3-1/2	130

* Build up insulation of MOLE™ Joint with rubber tape to equal inner diameter of Insulating Sleeve.
For insulating sleeve with inner diameter other than standard call customer service.

Blue highlighted items are industry standard and most frequently ordered.

HYCRAB™ CONNECTORS

One of the most economical devices for connecting several cables to a common junction point is the HYCRAB™, which is essentially a bus bar with a number of compression-type connector outlets, pre-insulated to eliminate taping. Like the MOLE™, the HYCRAB™ fits into a limited space, is simple to rack, and facilitates adding future cables.

Insert and Insulation

Having an insert similar to that of the MOLE™, the HYCRAB™ has connector outlets of the BURNDY® HYDENT™ compression type. These tubular elements are indented to the cable by BURNDY® HYPRESS™ installation tools and dies, designed to compress connector and cable together with indents of controlled depth. HYDENT™ compression connections are made quickly and easily, have relative conductivities of 100% or higher, are electrically stable, and mechanically secure.

The HYCRAB™ is insulated by a jacket of molded rubber to resist prolonged exposure to oil or other contaminants.

Installation

Insulation fingers are rolled back to expose the tubular outlets, sufficiently spaced to allow for the convenient operation of BURNDY® HYPRESS™ compression tools. Cable ends are inserted into the outlets. Each is crimped with one or two indents, and the fingers are rolled forward again to cover the outlets. Installation is completed by taping the short space between the tip of the finger and the cable insulation.

Variations and Accessories

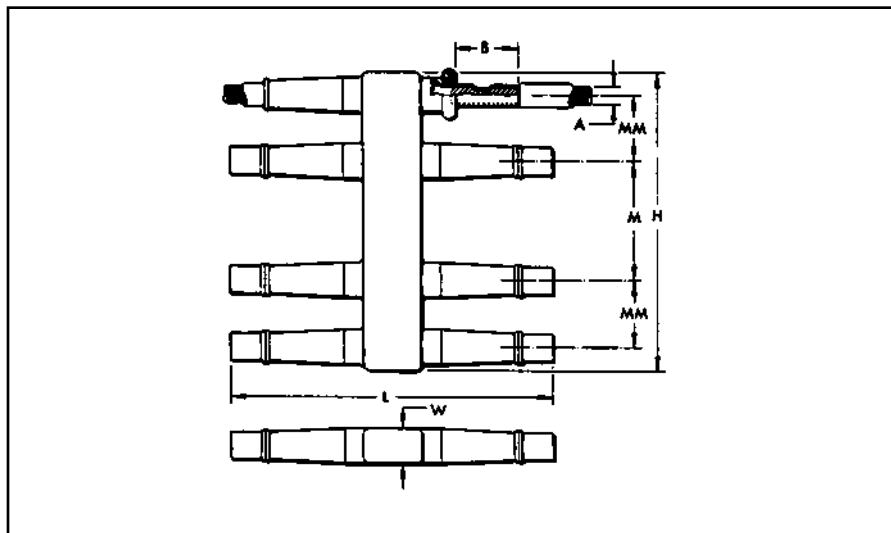
Uninsulated HYCRAB™ connectors for joining bare neutral cables are available in the same range of sizes and number of outlets as the insulated HYCRAB™. By using reducing adapters the HYCRAB™ can accommodate service wires as small as #6, in addition to the 4/0 or 500 kcmil cable sizes for which these connectors are ordinarily used.

Blue highlighted items are industry standard and most frequently ordered.

TYPE YM

INSULATED HYCRAB™

A compact insulated crab joint for connecting underground cables at junction points. Two outlets, one on either side of the HYCRAB™ body are ready for immediate use. All other outlets are sealed with vulcanized rubber plugs which are easily removed when future installations are made. This unit eliminates bulky, difficult crotch taping. By using Reducing Adapters, Type Y-R the HYCRAB™ can be installed on cable sizes from #6 to 500 kcmil (e.g., use Y3428R to install 4/0 into YM4-34).



Cable Size A	No. of Outlets	Catalog Number	Dimensions in Inches						Installation Information			
									HYPRESS™ & Indentor Die		No. of Indents	App. Ship. Wt. in Lbs.
			Y34A with V34PR	Y34BH with Y34PR	Nest Die							
4/0 Str.	4	YM4-28	2	3-11/16	10-3/16	—	2-3/16	1-1/8	A28D	B28D	1	1.8
	6	YM6-28	2	7-9/16	10-3/16	3-7/8	2-3/16	1-1/8	A28D	B28D	1	3.0
	8	YM8-28	2	9-3/4	10-3/16	3-7/8	2-3/16	1-1/8	A28D	B28D	1	4.3
	10	YM10-28	2	13-1/2	8-3/4	3-1/2	2-1/2	1-1/8	A28D	B28D	1	5.5
500 kcmil	12	YM12-28	2	16	8-3/4	3-1/2	2-1/2	1-1/8	A28D	B28D	1	6.7
	4	YM4-34	2-1/2	4-3/8	12-5/8	—	2-3/8	1-1/2	A34D	No Nest Die	2	4.5
	6	YM6-34	2-1/2	8-5/8	12-5/8	4-1/4	2-3/8	1-1/2	A34D	Die	2	7.0
	8	YM8-34	2-1/2	11	12-5/8	4-1/4	2-3/8	1-1/2	A34D	Required.	2	11
	10	YM10-34	2-1/2	14-1/2	12-1/2	3-3/4	2-1/2	1-1/2	A34D	Use Indentor	2	15
	12	YM12-34	2-1/2	17	12-1/2	3-3/4	2-1/2	1-1/2	A34D	Only.	2	19

K-38

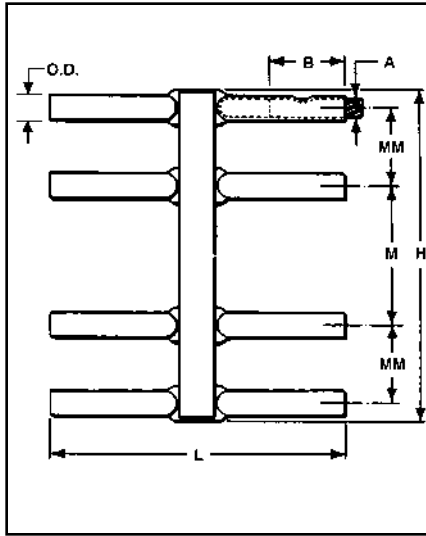
Blue highlighted items are industry standard and most frequently ordered.

TYPE YNM

HYCRAB™

For Joining Bare Neutral Cables

A compact uninsulated multiple connector for joining bare neutral underground cables. For insulated crab joints, see HYCRAB™, Type YM. Reducing adapters, Type Y-R, permit the HYCRABS listed below to take a full range of cable sizes from #6 to 500 kcmil. For proper installation, see table below.



Cable Size A	No. of Outlets	Catalog Number	Dimensions in Inches						Installation Information			App. Ship. Wt. in Lbs.
									HYPRESS™ & Indentor Die		No. of Indents	
			B	H	L	M	MM	O.D.	Y34A with Y34PR	Y34BH with Y34PR		
4/0 Str.	4	YNM4-28	2	3-3/16	8-3/16	—	2-3/16	11/16	A28D	B28D	1	1.0
	6	YNM6-28	2	7-1/16	8-3/16	3-7/8	2-3/16	11/16	A28D	B28D	1	1.8
	8	YNM8-28	2	9-1/4	8-3/16	3-7/8	2-3/16	11/16	A28D	B28D	1	2.5
500 kcmil	4	YNM4-34	2-1/2	3-15/16	10-5/8	—	2-3/8	1-1/16	A34D	No Nest Die Required. Use Indentor Only.	2	3.0
	6	YNM6-34	2-1/2	8-3/16	10-5/8	4-1/4	2-3/8	1-1/16	A34D		2	5.0
	8	YNM8-34	2-1/2	10-9/16	10-5/8	4-1/4	2-3/8	1-1/16	A34D		2	7.3

* Bare Hycrab™ can be furnished to accommodate both 4/0 and 500 kcmil cables.

K-39

Blue highlighted items are industry standard and most frequently ordered.

NETWORK PROTECTION

The primary purpose of network protection is the controlled interruption of fault currents before damage occurs to cable insulations and associated equipment, and the elimination of unnecessary service interruptions. The limiter and fuses for network protection are closely associated with the connectors and are equally vital to the safe, continuous operation of an underground system.

BURNDY® has developed protective devices that have played a major role in reducing underground system outages and the subsequent expenses incurred in the loss of service and replacement of damaged cables. A basic objective has been the design of limiter-connector combinations that, in addition to protecting against the effects of fault currents, economize on both space and installation costs.

Limiters are designed to protect underground secondary cable from damage by fault currents of two principal kinds: high energy arcing faults and sustained faults. The arcing fault, usually of shorter duration and lesser intensity, is more common. While this type of fault may sputter briefly and then clear, some may be sustained long enough to “roast” the insulation.

A sustained fault occurs when two conductors come solidly into contact and permit the flow of heavy short-circuit currents. Without suitable protection, these fault currents are heavy enough to damage cable insulation and often produce combustible fumes accompanied by fire and explosion.

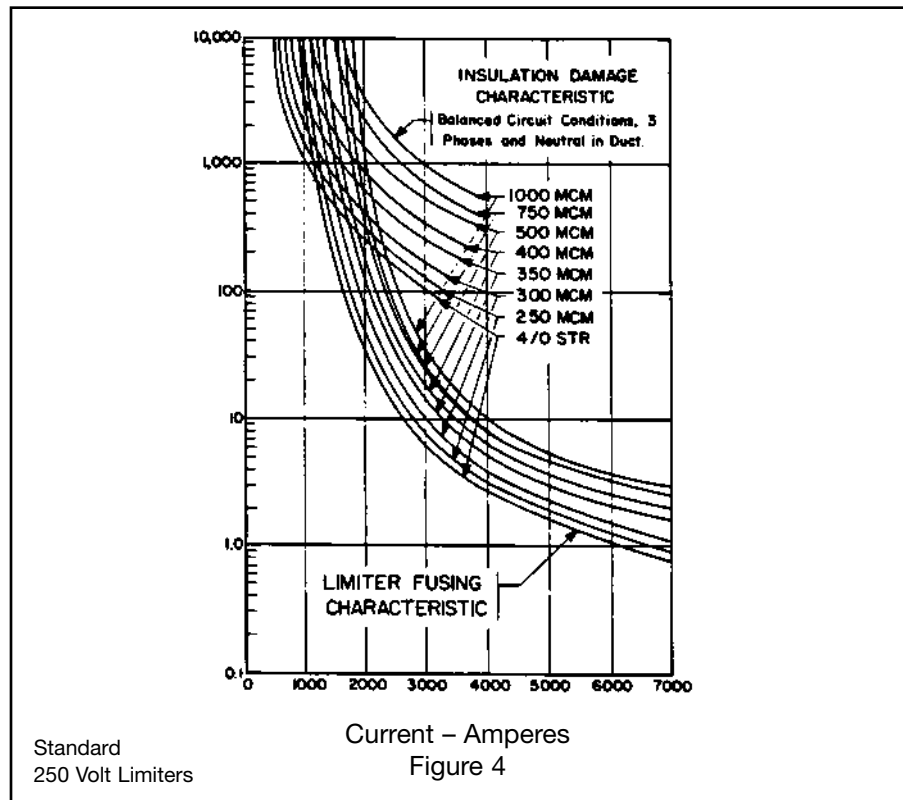
Installed at each end of cable sections, limiters have time-current characteristics designed to avoid unnecessary outages. Network protector fuses, installed in the network protector on the load side of the breaker, provide back-up protection against failure of a network protector to open on a primary fault. Coordinated characteristics of limiters and fuses provide for fault currents to be interrupted before they can cause damage, but only under predetermined time-current conditions, and only in those parts of the system where interruption is necessary.

Limiters

Engineered to interrupt the circuit before cables carrying a fault current are visually damaged, limiters act to confine damage to the section of cable where the fault occurred. The limiters are designed to prevent unnecessary clearing and will “hang on” during:

1. Faults which would clear without damaging cable insulation.
2. Overloads from motor starting, load transfer because of primary fault, or temporary overload during fault conditions.
3. Overloads from loss of secondary conductors caused by clearing of other limiters.
4. Reverse current flow through the network protector on primary faults.
5. Faults on other secondary cables.

K-40



Blue highlighted items are industry standard and most frequently ordered.

NETWORK PROTECTION (Continued)

For proper protection, BURNDY® limiters are designed with time-current characteristics approximating the insulation damage curve of the cable with which they will be used. Figure 4 shows time-current characteristic curves for a range of standard (250 volt) limiters, superimposed on insulation damage curves for several cable sizes. Although the limiter curve crosses the insulation damage curves, in practice the limiters will blow before the insulation can deteriorate. The insulation damage characteristics represent three phases equally loaded in a duct. Since low-current faults seldom affect more than one phase at a time, the rate of heat generated in the conduit is much less than for a balanced 3-phase fault, and the time to reach the damage point is appreciably longer. Practical experience confirms that limiters provide protection during low-current, as well as high-current faults.

Construction

The limiter is essentially a compression-type electrical connector with its center section accurately formed to provide a fusible element. This fusible element is enclosed in a molded composition shell and the assembly encased in an insulated sleeve.

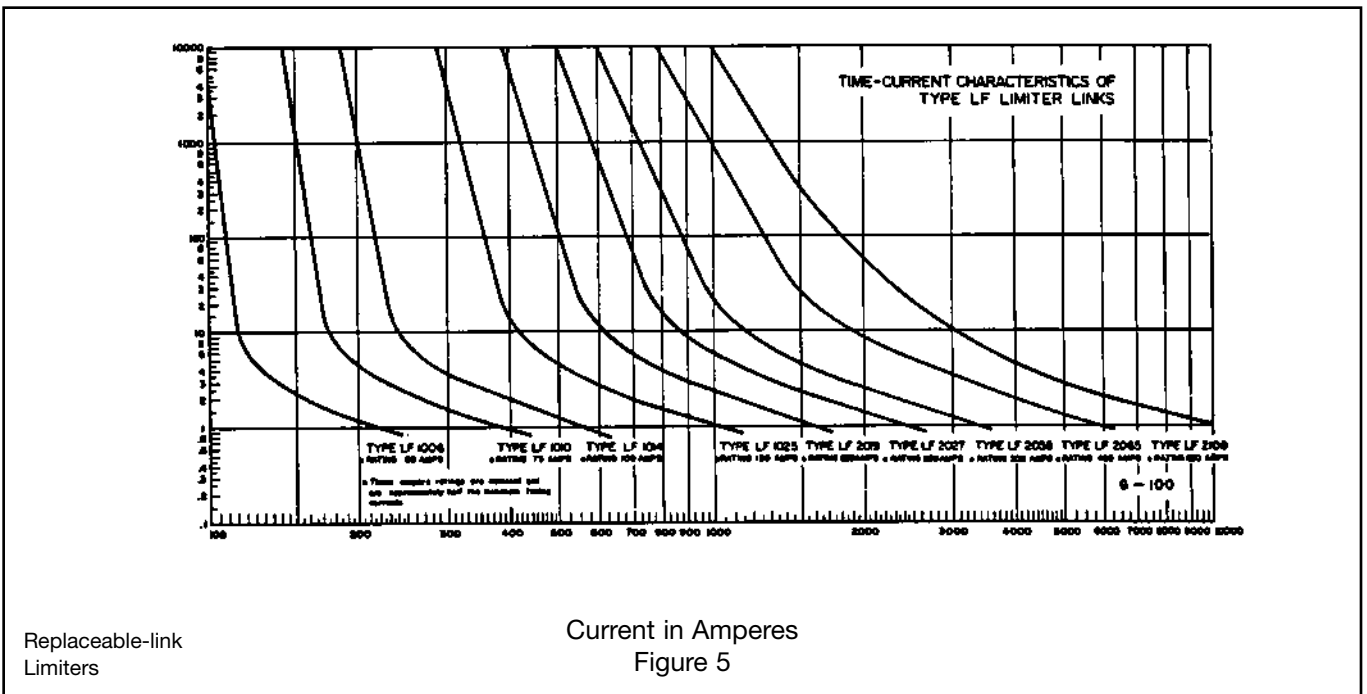
Interrupting capacities are as follows:

- Standard Limiters . . . 30,000 amps at 250V
- Replaceable-link
Limiters 20,000 amps at 250V

The protection probably lies in the fact that the fault impedance reduces the actual fault current to a value considerably less than calculated.

Replaceable-Link Limiters

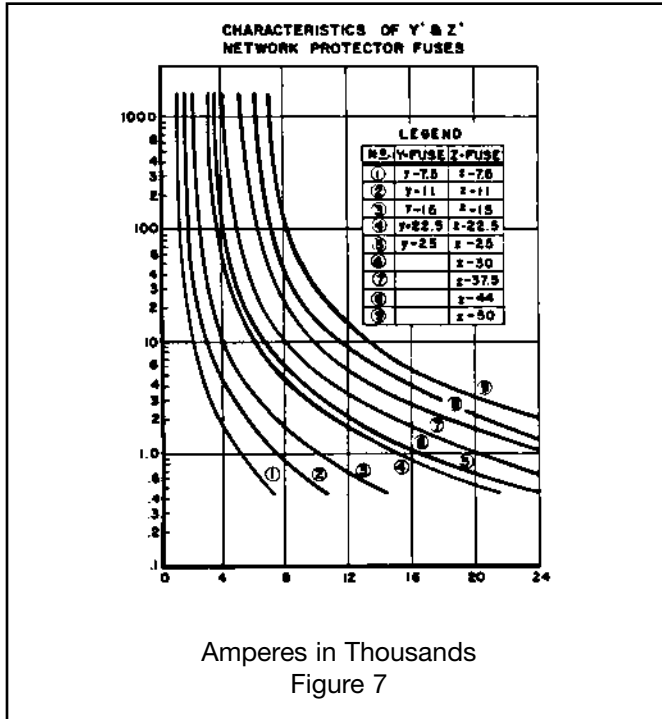
Replaceable-link limiters, which provide faster time-current characteristics (Figure 5), are used in smaller networks, on the fringes of larger networks, at points where radial feeders leave a network, and for fusing service cables. As its name implies, this limiter is also distinctive in that its fusible link is replaceable.



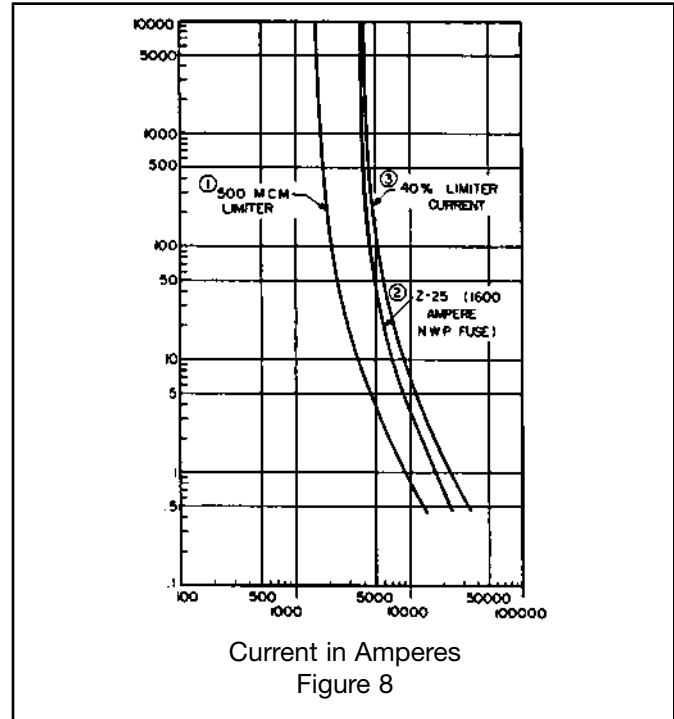
K-41

Blue highlighted items are industry standard and most frequently ordered.

NETWORK PROTECTION (Continued)



Amperes in Thousands
Figure 7



Current in Amperes
Figure 8

K-42

Limiter Variations

The Limiter Lug provides a fusible connection between a cable and a flat surfaced terminal of a transformer or other apparatus. The Limiter Tap incorporates a Limiter Lug assembly, modified to terminate cable to a ring bus. The straight Limiter is made for installation in a single conductor cable. The Molimiter is a Limiter designed so that one end is crimped onto a cable and the other fits the clamping element of a MOLE™ outlet. The Limiter HYCRAB™ connector is essentially a HYCRAB™ with a fusible section in each of its outlets.

Network Protector Fuses

Type Y and Z Network Protector Fuses provide back-up protection in case the protector breaker fails to operate during a primary fault. The fuse time-current curves (Figure 7), are similar to those of the limiter, thus permitting correct fuse-limiter coordination for complete network protection.

Design and Construction

The fusible element for a Type Y or Type Z Fuse is a tin-plated copper bar with reduced section, encased in an arc-resistant molded transite enclosure. One-piece construction eliminates possibility of joint failure and assures maximum reliability.

Limiter-Fuse Coordination

To isolate a fault before it can cause extensive damage, and without interrupting service in other sections of the network, limiters and fuses must clear at the proper time and in proper sequence, depending on the fault's location in the primary or secondary system. When a primary fault occurs, the fuse should clear before any limiters blow. For a secondary fault, limiters should clear the fault before the network protector fuse opens. Failure of limiters and network protector fuses to function in proper sequence could cause cascading of other Fuses, or clearing of secondary faults by Fuses rather than limiters. Premature blowing of Limiters not in the faulted section could cause unnecessary service interruption in sections remote from the fault.

To assure the coordinated functioning of fuses and limiters throughout a system, proper rating must be selected. The four-step "Coordination Study" (Figure 8) used in a 4-parallel cable feed system from the protector to the first secondary junction is a typical example of how to select proper ratings.

1. Plot the damage characteristic curve of the cable insulation in the system. Curves for Class L620 (260° C. or 500° F.), appear in (Figure 5).

2. Plot the time-current characteristic curve of the limiter for the cable size in the system.
3. Plot the time-current characteristic curve of the same limiter in Parallel secondary mains, assuming it carries 40% of total backfeed current. Allowing for the possibility of unequal current distribution of secondary mains, the "40% Cable Limiter Curve" provides a conservative basis for selection network protector fuses.
4. Select a fuse with its time-current characteristics (Figure 7) lying between the limiter curves plotted in steps 2 and 3.

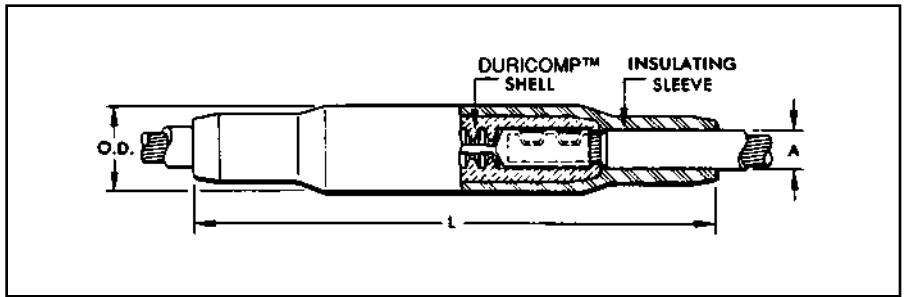
This procedure avoids the selection of fuses so light that they might overheat the network protector or clear unnecessarily, possibly cascading other fuses in the network; or so heavy that transformer secondaries might be damaged or limiters blow before the fuse. Proper limiter-fuse coordination, facilitated by the use of fuses and limiters that are precisely matched, assures effective protection without unnecessary interruption.

Blue highlighted items are industry standard and most frequently ordered.

TYPES YFS-CR AND YFS-CP

LIMITER ASSEMBLY

With DURICOMP™ Shell and Rubber Sleeve for Insulated Cables



The Limiter combines the functions of tuse and connector. The fusible element which is an integral part of the connector will clear faults that are great enough to cause damage to the cable insulation. However it will not clear on minor overloads of short duration. Fusing characteristics of the limiter are shown in technical section. For HYPRESS™ installation, see table below.

Cable Size	For Use on Rubber Insulated Cable Catalog Number	For Use on Paper Insulated Cable-Oil Tight Cable Sockets Catalog Number	Dimensions in Inches			Installation Information				
			Max. Cable Dia. over Insulation A	L	O.D.	HYPRESS™ and Indentor Die			Number of Indents	App. Ship. Wt. in Lbs.
						Y34A with Y34PR	Y34BH with Y34PR	Y44B with Y44PR		
4/0 Str.	YFS28CR	YFS28CP	1	12-3/4	1-15/16	A28D	B28D	E28D	1	1.4
250 kcmil	YFS29CR	YFS29CP	1	12-3/4	1-15/16	A29P	B29D	E29D	1	1.4
300 kcmil	YFS30CR	YFS30CP	1-1/8	13-1/2	2-3/16	A30D	B30D	E30D	2	2.0
350 kcmil	YFS31CR	YFS31CP	1-1/8	13-1/2	2-3/16	A31D	B31D	E31D	2	2.0
400 kcmil	YFS32CR	YFS32CP	1-1/8	13-1/2	2-3/16	A32D	B32D	E32D	2	2.1
500 kcmil	YFS34CR	YFS34CP	1-11/32	15-7/8	2-3/8	A34D	No Nest Die Required	E34D	2	2.9
750 kcmil	YFS39CR	YFS39CP	1-1/2	15-9/16	2-9/16	—	—	E39D	2	3.7

For conductor sizes not listed call customer service.
 DURICOMP™ acquired July 1990. Replaces ASBESTITE and the Generic Refractory references.
 To specify a fast acting limiter in any configuration insert an "F" before the conductor number (e.g., YFSE34CR specifies a 1/2 thick limiter section).

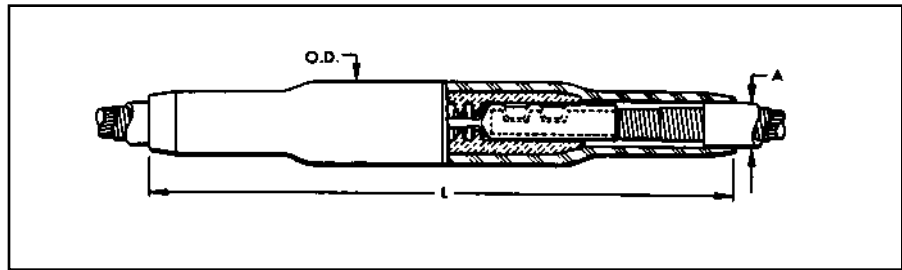
K-43

Blue highlighted items are industry standard and most frequently ordered.

TYPE YFS-CPL

LONG LIMITER ASSEMBLY

With DURICOMP™ Shell and Rubber Sleeve for Paper-Lead Cables



The Long Limiter performs the same functions as the Limiter shown on opposite page. It differs in that it has extra long cable sockets which are preferred by some for use on paper insulated cable. The end seams are sealed to make the sockets oil tight. Fusing characteristics of the Limiter are shown in technical section. For proper HYPRESS™ installation, see table below.

Cable Size	Catalog Number	Dimensions in Inches			Installation Information			Number of Indents	App. Ship Wt. in Lbs.
		Max. Cable Dia. Over Insul. A	L	O.D.	HYPRESS™ and Indentor				
					Y34A with Y34PR	Y34BH with Y34PR	Y44B with Y44PR		
4/0 Str.	YFS28CPL	1	12-3/4	1-15/16	Nest Die			1	1.5
250 kcmil	YFS29CPL	1	12-3/4	1-15/16	A28D	B28D	E28D	1	1.5
300 kcmil	YFS30CPL	1-1/8	13-1/2	2-3/16	A29P	B29D	E29D	2	2.2
350 kcmil	YFS31CPL	1-1/8	13-1/2	2-3/16	A30D	B300	E30D	2	2.2
400 kcmil	YFS32CPL	1-1/8	13-1/2	2-3/16	A31D	B31D	E31D	2	2.3
500 kcmil	YFS34CPL	1-11/32	15-7/8	2-3/8	A32D	B32D	E32D	2	3.2
750 kcmil	YFS39CPL	1-1/2	15-9/16	2-9/16	A34D	No Nest Die Required	E34D	2	4.1
					—	—	E39D	2	4.1

For conductor sizes not listed call customer service. To specify a fast acting limiter in any configuration insert an "F" before the conductor number (example: YFSE34CR specifies and 1/2 thick limiter section).

K-44

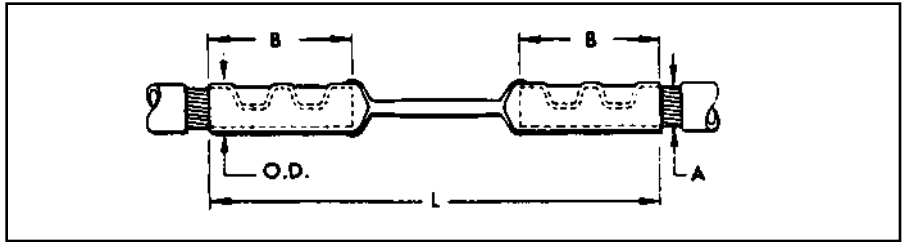
Blue highlighted items are industry standard and most frequently ordered.

TYPES YFSR, YFSP

LIMITER

For Use with Limiter Assembly

The Limiter serves the double function of a fuse and a coupler. The fusible element is an integral part of the coupler and is closely and carefully sized to insure excellent performance. Fusing characteristics of the Limiter are



shown in technical section. For proper HYPRESS™ installation, see table below.

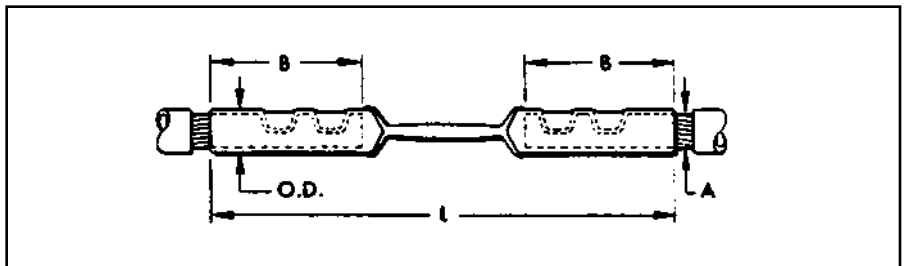
Cable Size	For Use on Rubber Insulated Cable Catalog Number	For Use on Paper Insulated Cable-Oil Tight Cable Sockets Catalog Number	Dimensions in Inches			Installation Information				App. Ship. Wt. in Lbs.
			B	L	O.D.	HYPRESS™ and Indentor Die			Number of Indents	
						Y34A with Y34PR	Y34BH with Y34PR	Y44B with Y44PR		
4/0 Str.	YFSR28	YFSP28	1-3/4	6-3/8	11/16	A28D	B28D	E28D	1	.23
250 kcmil	YFSR29	YFSP29	1-7/8	6-3/8	3/4	A29D	B29D	E29D	1	.27
300 kcmil	YFSR30	YFSP30	2	6-3/4	13/16	A30D	B30D	E30D	2	.33
350 kcmil	YFSR31	YFSP31	2	6-3/4	7/8	A31D	B31D	E31D	2	.37
400 kcmil	YFSR32	YFSP32	2-1/8	7	31/32	A32D	B32D	E32D	2	.46
500 kcmil	YFSR34	YFSP34	2-7/8	8-3/4	1-1/16	A34D	No Nest Die Required	E34D	2	.79
750 kcmil	YFSR39	YFSP39	2-7/8	9	1-5/16	—	—	E39D	2	1.2

TYPE YFSP-L

LONG LIMITER

For Use with Long Limiter Assembly

The Long Limiter serves the same purpose as the Limiter shown above but has extra long oil tight cable sockets which may be preferred by some for use on paper insulated cables. Similarly designed to clear on overloads that will damage the insulation of the



cable. Fusing characteristics of the Long Limiter are shown in technical section. For HYPRESS™ installation, see table below.

Cable Size	Catalog Number	Dimensions in Inches			Installation Information				App. Ship. Wt. in Lbs.
		B	L	O.D.	HYPRESS™ and Indentor			Number of Indents	
					Y34A with Y34PR	Y34BH with Y34PR	Y44B with Y44PR		
4/0 Str.	YFSP28L	2-15/16	8-3/4	11/16	A28D	B28D	E28D	1	.34
250 kcmil	YFSP29L	3-1/16	8-3/4	3/4	A29D	B29D	E29D	1	.40
300 kcmil	YFSP30L	3-3/8	9-1/2	13/16	A30D	B30D	E30D	2	.50
350 kcmil	YFSP31L	3-3/8	9-1/2	7/8	A31D	B31D	E31D	2	.58
400 kcmil	YFSP32L	3-3/8	9-1/2	31/32	A32D	B32D	E32D	2	.68
500 kcmil	YFSP34L	4-3/16	11-3/8	1-1/16	A34D	No Nest Die Required	E34D	2	1.1
750 kcmil	YFSP39L	4-3/16	11-5/8	1-5/16	—	—	E39D	2	1.6

For conductor sizes not listed call customer service.

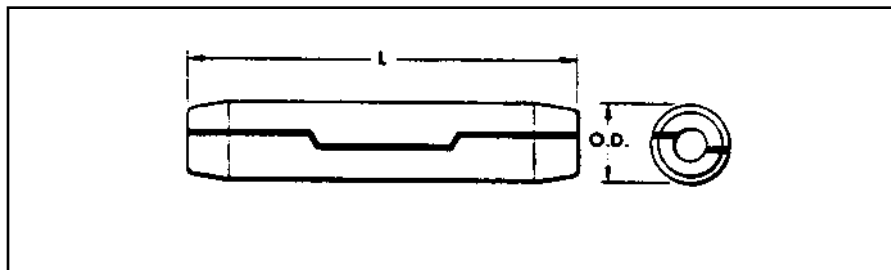
Blue highlighted items are industry standard and most frequently ordered.

TYPES YFSH, YFSH-P

DURICOMP™ LIMITER SHELL

For Use with Limiter Assemblies

A molded composition shell in which heat-proof barriers restrain the arc which is formed when the fusible section of the Limiter melts under overload conditions. Shells may be ordered separately to replace those damaged in service. Contains no asbestos.



Cable Range	For Use on Rubber Insulated Cable Catalog Number	For Use on Paper Insulated Cable Long and Short Socket Type Catalog Number	Dimensions in Inches		App. Ship. Wt. in Lbs.
			L	O.D.	
4/0 Str. to 250 kcmil	YFSH2829	YFSH2829P	6-3/4	1-7/16	.50
300 kcmil to 400 kcmil	YFSH3032	YFSH3032P	7-1/2	1-11/16	.76
500 kcmil	YFSH34	YFSH34P	9-3/8	1-7/8	1.0
750 kcmil	YFSH39	YFSH39P	9	2-1/16	1.1

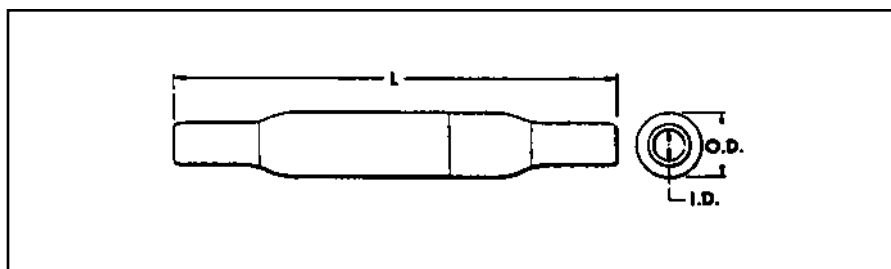
K-46

TYPE YFSC

INSULATING SLEEVE

For Use with Limiter Assemblies

A molded sleeve for insulating the Limiter and DURICOMP™ Shell Assembly. Molded in two sections, its use simplifies the insulation of the assembly.



Cable Range	Catalog Number	Dimensions in Inches			App. Ship. Wt. in Lbs.
		I.D.	L	O.D.	
4/0 Str. to 250 kcmil	YFSC6429	1	12-3/4	1-15/16	.62
300 kcmil to 400 kcmil	YFSC7232	1-1/8	13-1/2	2-3/16	.86
500 kcmil	YFSC8634	1-11/32	15-7/8	2-3/8	1.1
750 kcmil	YFSC9639*	1-1/2	15-9/16	2-9/16	1.4

* YFSC9639 is straight tubular sleeve with two bushings. For conductor sizes or sleeve inside diameters not listed call customer service.

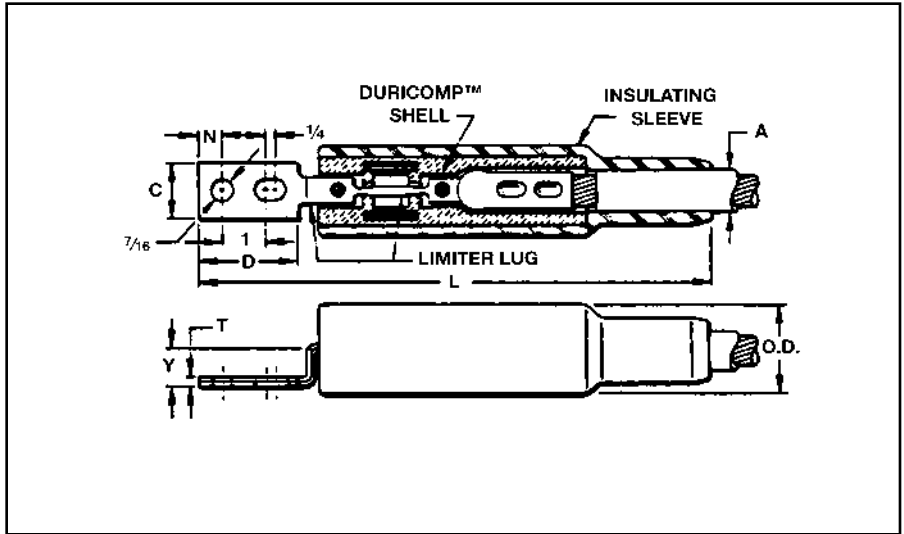
Blue highlighted items are industry standard and most frequently ordered.

TYPES YFA-CR, YFA-CP

LIMITER LUG ASSEMBLY

With DURICOMP™ Shell and Rubber Sleeve

The Limiter Lug combines the functions of terminal and fuse. The fusible element is an integral part of the connector and is so designed that it will clear overloads which are great enough to cause damage to the cable insulation. Unlike an ordinary fuse, however, it will not clear on minor overloads of short duration. Fusing characteristics of the Limiter Lugs are shown in the technical section. Component parts shown in the table below may be purchased separately. For proper HYPRESS™ installation, see table below.



Cable Size	For Use on Rubber Insul. Cable Catalog No.	For Use on Paper Insul. Cable-Oil Tight Cable Socket Catalog No.	Dimensions in Inches								Installation Information				App. Wt. in Lbs.
			(Max. Cable Dia. over Insul.) A	C	D	L	N	T	Y	O.D.	HYPRESS™ & Indentor Die			No. of Indents	
											Y34A with Y34PR	Y34BH with Y34PR	Y44B with Y44PR		
4/0 Str.	YFA28CR-2	YFA28CP-2	1	1	2-3/16	11-9/16	7/16	9/64	27/32	1-15/16	A28D	B28D	E28D	1	1.2
250 kcmil	YFA29CR-2	YFA29CP-2	1	1-1/8	2-3/16	11-9/16	7/16	5/32	27/32	1-15/16	A29D	B29D	E29D	1	1.2
300 kcmil	YFA30CR-2	YFA30CP-2	1-7/32	1-3/16	2-5/16	13-3/16	1/2	5/32	1	2-3/8	A30D	B30D	E30D	2	1.8
350 kcmil	YFA31CR-2	YFA31CP-2	1-7/32	1-5/16	2-5/16	13-3/16	1/2	3/16	1	2-3/8	A31D	B31D	E31D	2	2.2
400 kcmil	YFA32CR-2	YFA32CP-2	1-7/32	1-7/16	2-5/16	13-3/16	1/2	3/16	1	2-3/8	A32D	B32D	E32D	2	2.3
500 kcmil	YFA34CR-2	YFA34CP-2	1-11/32	1-1/2	2-3/4	13-5/8	1/2	7/32	1	2-3/8	A34D	No Nest Die Req'd.	E34D	2	2.5
750 kcmil	YFA39CR-2	YFA39CP-2	1-1/2	1-15/16	2-3/4	13-5/8	1/2	1/4	1	2-3/8	—	—	E39D	2	2.8

For conductor sizes not listed call customer service. To specify a fast acting limiter in any configuration insert an "F" before the conductor number (example: YFSE34CR specifies and 1/2 thick limiter section).

K-47

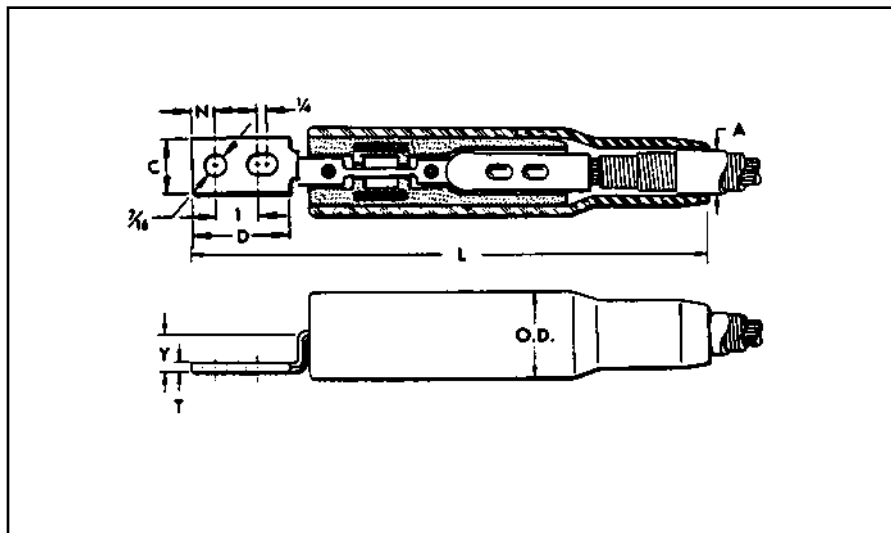
Blue highlighted items are industry standard and most frequently ordered.

TYPE YFA-CPL

LONG LIMITER LUG ASSEMBLY

With DURICOMP™ Shell and Rubber Sleeve — for Paper-Lead Cables

A Limiter Lug similar to Type YFA-CR or YFA-CP shown on page 47. In this case, however, we supply an extra long cable socket which is sometimes preferred for use on paper insulated cable. The end seams are sealed to make sockets oil tight. Fusing characteristics of the Limiter Lugs are shown in the technical section. For proper HYPRESS™ installation, see table below.



Cable Size	Catalog Number	(Max. Cable Dia. over Insul.) A	Dimensions in Inches								No of Indents in Cable Socket	Installation Information				App. Wt. in Lbs.
			C	D	L	N	T	Y	O.D.	HYPRESS™ & Indentor Die			No. of Indents			
										Y34A with Y34PR		Y34BH with Y34PR		Y44B with Y44PR		
4/0 Str.	YFA28CPL-2	1	1	2-3/16	11-9/16	7/16	9/64	27/32	1-15/16	1	A28D	B28D	E28D	1	1.2	
250 kcmil	YFA29CPL-2	1	1-1/8	2-3/16	11-9/16	7/16	5/32	27/32	1-15/16	1	A29D	B29D	E29D	1	1.3	
300 kcmil	YFA30CPL-2	1-7/32	1-3/16	2-5/16	13-3/16	1/2	5/32	1	2-3/8	2	A30D	B30D	E30D	2	1.9	
350 kcmil	YFA31CPL-2	1-7/32	1-5/16	2-5/16	13-3/16	1/2	3/16	1	2-3/8	2	A31D	B31D	E31D	2	2.3	
400 kcmil	YFA32CPL-2	1-7/32	1-7/16	2-5/16	13-3/16	1/2	3/16	1	2-3/8	2	A32D	B32D	E32D	2	2.4	
500 kcmil	YFA34CPL-2	1-11/32	1-1/2	2-3/4	13-5/8	1/2	7/32	1	2-3/8	2	A34D	No Nest Die Req'd.	E34D	2	2.7	
750 kcmil	YFA39CPL-2	1-1/2	1-15/16	2-3/4	13-5/8	1/2	1/4	1	2-3/8	2	—	—	E39D	2	3.1	

For conductor sizes not listed call customer service.
To specify a fast acting limiter in any configuration insert an "F" before the conductor number (e.g., YFSE34CR specifies a 1/2 thick limiter section).

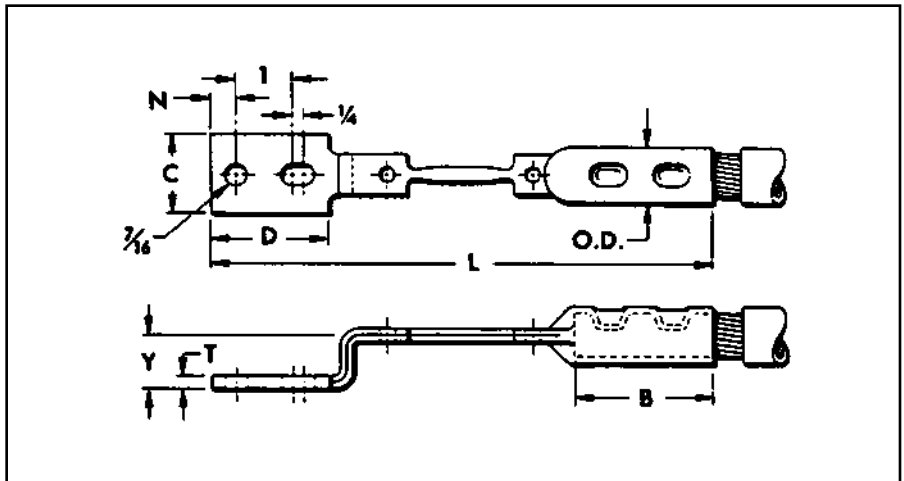
Blue highlighted items are industry standard and most frequently ordered.

TYPES YFAR, YFAP

LIMITER LUG

For Use with Limiter Lug Assembly

The Limiter Lug incorporates an accurately determined fusible section as an integral part with its terminal end. The fusible section is so selected that it will prevent the cable from roasting or damage from a short circuit, although it will not clear on minor overloads of short duration not harmful to cable insulation. For proper HYPRESS™ installation, see table below.



Cable Size	For Use on Rubber Insul. Cable Catalog No.	For Use on Paper Insul. Cable-Oil Tight Cable Socket Catalog No.	Dimensions in Inches								Installation Information				App. Wt. in Lbs.
			B	C	D	L	N	T	Y	O.D.	HYPRESS™ & Indentor Die			No. of Indents	
											Y34A with Y34PR	Y34BH with Y34PR	Y44B with Y44PR		
4/0 Str.	YFAR28-2	YFAP28-2	1-7/8	1	2-3/16	8-1/4	7/16	9/64	27/32	11/16	A28D	B28D	E28D	1	.28
250 kcmil	YFAR29-2	YFAP29-2	1-7/8	1-1/8	2-3/16	8-1/4	7/16	5/32	27/32	3/4	A29D	B29D	E29D	1	.33
300 kcmil	YFAR30-2	YFAP30-2	2	1-3/16	2-5/16	8-7/8	1/2	5/32	1	13/16	A30D	B30D	E30D	2	.42
350 kcmil	YFAR31-2	YFAP31-2	2	1-5/16	2-5/16	8-7/8	1/2	3/16	1	7/8	A31D	B31D	E31D	2	.46
400 kcmil	YFAR32-2	YFAP32-2	2-1/8	1-7/16	2-5/16	9	1/2	3/16	1	31/32	A32D	B32D	E32D	2	.55
500 kcmil	YFAR34-2	YFAP34-2	2-9/16	1-1/2	2-3/4	10	1/2	7/32	1	1-1/16	A34D	No Nest Die Req'd.	E34D	2	.83
750 kcmil	YFAR39-2	YFAP39-2	2-1/2	1-15/16	2-3/4	10	1/2	1/4	1	1-5/16	—	—	E39D	2	1.2

For conductor sizes not listed call customer service.

K-49

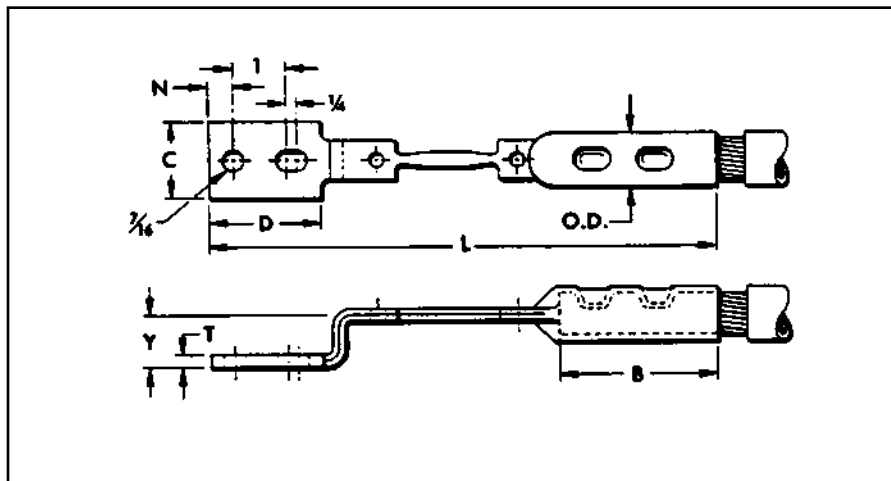
Blue highlighted items are industry standard and most frequently ordered.

TYPE YFAP-L

LONG LIMITER LUG

For Use with Long Limiter Lug Assembly

Similar to Limiter Lug Types YFAR and YFAP, except that this type provides a long oil tight cable socket, preferred by some users of paper-insulated cables. Fusing characteristics shown in technical section. For HYPRESS™ installation, see table below.



Cable Size	Catalog Number	Dimensions in Inches								Installation Information				App. Ship. Wt. in Lbs.
		B	C	D	L	N	T	Y	O.D.	HYPRESS™ & Indentor Die			No. of Indents	
										Y34A with Y34PR	Y34BH with Y34PR	Y44B with Y44PR		
4/0 Str.	YFAP28L-2	3-9/16	1	2-3/16	9-15/16	7/16	9/64	27/32	11/16	A28D	B28D	E28D	1	.36
250 kcmil	YFAP29L-2	3-9/16	1-1/8	2-3/16	9-15/16	7/16	5/32	27/32	3/4	A29D	B29D	E29D	1	.42
300 kcmil	YFAP30L-2	3-11/16	1-3/16	2-5/16	10-9/16	1/2	5/32	1	13/16	A30D	B30D	E30D	2	.52
350 kcmil	YFAP31L-2	3-11/16	1-5/16	2-5/16	10-9/16	1/2	3/16	1	7/8	A31D	B31D	E31D	2	.58
400 kcmil	YFAP32L-2	3-13/16	1-7/16	2-5/16	10-11/16	1/2	3/16	1	31/32	A32D	B32D	E32D	2	.70
500 kcmil	YFAP34L-2	4-1/4	1-1/2	2-3/4	11-11/16	1/2	7/32	1	1-1/16	A34D	No Nest Die Req'd.	E34D	2	1.0
750 kcmil	YFAP39L-2	4-3/16	1-15/16	2-3/4	11-11/16	1/2	1/4	1	1-5/16	—	—	E39D	2	1.5

For further information call customer service.

K-50

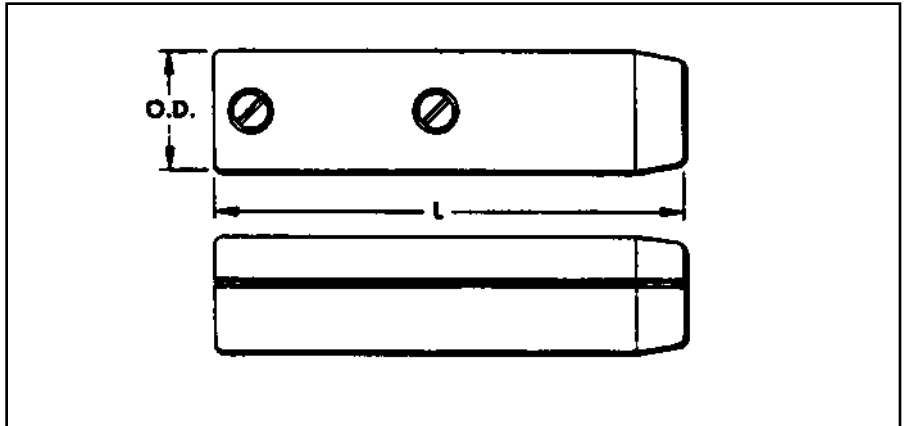
Blue highlighted items are industry standard and most frequently ordered.

TYPE YFAH

DURICOMP™ LIMITER SHELL

For Use with Limiter Lug Assemblies

A composite shell composed of two halves with heat proof arcing chamber to confine and break the fusing arc. Shells may be ordered separately to replace those damaged in service. Contains no asbestos.



Cable Range	Catalog Number	Dimensions in Inches		App. Ship.
		L	O.D	Wt. in Lbs.
4/0 Str. to 250 kcmil	YFAH2829	5-11/16	1-7/16	.50
300 kcmil to 400 kcmil	YFAH34	7-1/8	1-7/8	.92
750 kcmil	YFAH39*	7-1/8	1-7/8	.92

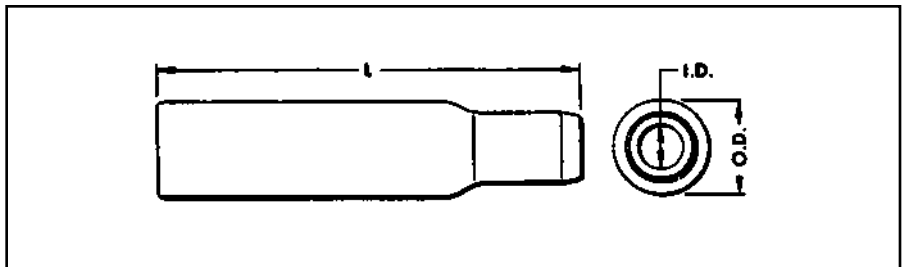
* Note: Replacement screws a #10 x 32 x 1" standard roundhead.

TYPE YFAC

INSULATING SLEEVES

For Use with Limiter Lug Assemblies

A molded sleeve for insulating the Limiter Lug and shell assembly. Fitting closely over the shell, the problem of insulating the assembly is greatly simplified.



K-51

Cable Range	Catalog Number	Dimensions in Inches			App. Ship.
		I.D.	L	O.D	Wt. in Lbs.
4/0 Str. to 250 kcmil	YFAC6429	1	9-3/4	1-7/8	.37
300 kcmil to 400 kcmil	YFAC7834	1-7/32	10-3/8	2-3/8	.77
500 kcmil	YFAC8634	1-11/32	10-3/8	2-3/8	.75
750 kcmil	YFAC9634	1-1/2	10-3/8	2-3/8	.72

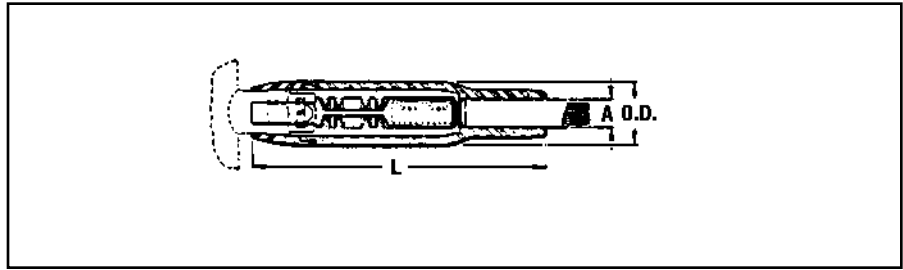
For conductor sizes not listed call customer service.

Blue highlighted items are industry standard and most frequently ordered.

TYPES YFM-CR, YFM-CP

MOLIMITER™ ASSEMBLY

With DURICOMP™ Shell and Rubber Sleeve for Insulated Cables



The MOLIMITER™ is used for fusing underground cables at junction points. The unit is designed for use with the BURNDY® MOLE™ and provides Limiter protection for cables

which terminate at the MOLE™. The cable end is installed in the MOLIMITER™ cable socket (see Installation Information in table below) and then the MOLE™ end is installed

in the MOLE™ outlet Socket and Nut assembly. MOLIMITERS which have burned clear may be quickly replaced. For time current characteristics see the technical section.

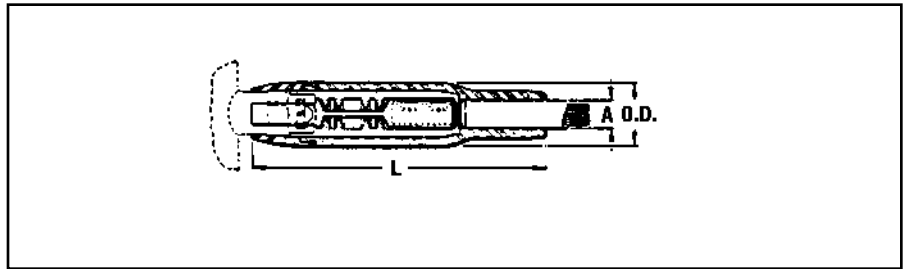
Cable Size	For Use on Rubber Insulated Cable Catalog No.	For Use on Paper Insulated Cable-Oil Tight Cable Socket Catalog No.	Dimensions in Inches			For Connection to MOLE™ Use		MOLE™ Outlet Size	Installation Information				App. Ship Wt. in Lbs.	
			(Max. Cable Dia. Over Insul.) A	L	O.D.	Socket and Nut Assembly See Page K-32	Z Cone See Page K-33		HYPRESS™ & Indentor Die			Number of Indents		
									Y34A with Y34PR	Y34BH with Y34PR	Y44B with Y44R			
4/0 Str.	YFM28CR	YFM28CP	1	9-3/4	1-7/8	Z28NR	Z2828	A	A28D	B28D	E28D	1	1.1	
250 kcmil	YFM29CR	YFM29CP	1	9-3/4	1-7/8	Z29NR	Z2929	A	A29D	B29D	E29D	1	1.1	
300 kcmil	YFM30CR	YFM30CP	1-1/8	10-5/16	2-3/16	Z30NR	Z3030	A	A30D	B30D	E30D	2	1.7	
350 kcmil	YFM31CR	YFM31CP	1-1/8	10-5/16	2-3/16	Z32NR	Z3132	A	A31D	B31D	E31D	2	1.8	
400 kcmil	YFM32CR	YFM32CP	1-1/8	10-5/16	2-3/16	Z32NR	Z3232	A	A32D	B32D	E32D	2	1.9	
500 kcmil	YFM34CR	YFM34CP	1-11/32	11-11/16	2-3/8	Z34NR	Z3434	A	A34D	No Nest Die Req'd.		E34D	2	2.6
750 kcmil	YFM39CR	YFM39CP	1-1/2	12-3/16	2-9/16	Z34NRB	Z3434	B	—	—	E39D	2	3.4	

K-52

TYPE YFM-CPL

LONG MOLIMITER™ ASSEMBLY

With DURICOMP™ Shell and Rubber Sleeve for Paper-Lead Cables



The Long MOLIMITER™ differs from the standard MOLIMITER™ only in its extra long cable socket. This socket, with the end seam

sealed oil tight, is preferred by some for use on paper insulated cables. Time-current characteristics are shown in the technical section.

For proper HYPRESS™ installation, see table below.

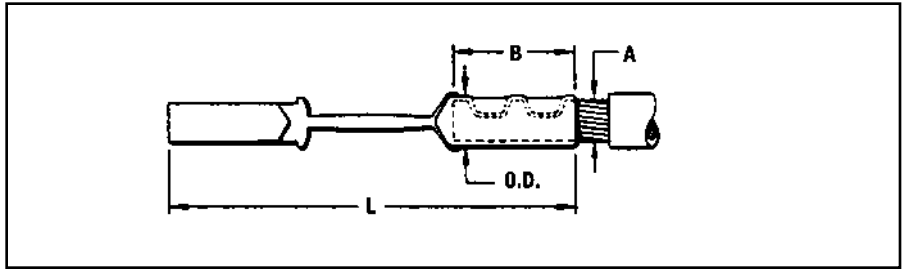
Cable Size	Catalog Number	Dimensions in Inches			For Connection to MOLE™ Use		MOLE™ Outlet Size	Installation Information				Ship Wt. in Lbs.	
		(Max. Cable Dia. Over Insul.) A	L	O.D.	Socket and Nut Assembly See Page K-32	Z Cone See Page K-33		HYPRESS™ & Indentor Die			Number of Indents		
								Y34A with Y34PR	Y34BH with Y34PR	Y44B with Y44R			
4/0 Str.	YFM28CPL	1	9-3/4	1-7/8	Z28NR	Z2828	A	A28D	B28D	E28D	1	1.0	
250 kcmil	YFM29CPL	1	9-3/4	1-7/8	Z29NR	Z2929	A	A29D	B29D	E29D	1	1.0	
300 kcmil	YFM30CPL	1-1/8	10-5/16	2-3/16	Z30NR	Z3030	A	A30D	B30D	E30D	2	1.7	
350 kcmil	YFM31CPL	1-1/8	10-5/16	2-3/16	Z32NR	Z3132	A	A31D	B31D	E31D	2	1.7	
400 kcmil	YFM32CPL	1-1/8	10-5/16	2-3/16	Z32NR	Z3232	A	A32D	B32D	E32D	2	1.8	
500 kcmil	YFM34CPL	1-11/32	11-11/16	2-3/8	Z34NR	Z3434	A	A34D	No Nest Die Req'd.		E34D	2	2.5
750 kcmil	YFM39CPL	1-1/2	12-3/16	2-9/16	Z34NRB	Z3434	B	—	—	E39D	2	3.2	

For conductor sizes not listed call customer service.

TYPES YFMR, YFMP

MOLIMITER™

For Use with MOLIMITER™ Assembly



The MOLIMITER™ combines an accurately determined fusible section with both a MOLE™ Socket end and a cable socket. Designed to clear on overloads that would injure the cable insulation, the MOLIMITER™

may be easily and quickly replaced. For time current characteristics of MOLIMITERS see

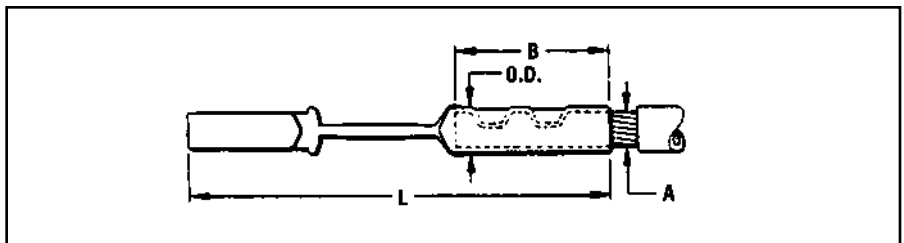
the technical section. For proper HYPRESS™ installation, see table below.

Cable Size A	For Use on Rubber Insulated Cable Catalog No.	For Use on Paper Insulated Cable-Oil Tight Cable Socket Catalog No.	Dimensions in Inches			For Connection to MOLE™ Use		MOLE™ Outlet Size	Installation Information				App. Ship Wt. in Lbs.
			B	L	O.D.	Socket and Nut Assembly See Page 32	Z Cone See Page 33		HYPRESS™ & Indentor Die			Number of Indents	
									Y34A with Y34PR	Y34BH with Y34PR	Y44B with Y44R		
									Nest Die				
4/0 Str.	YFMR28	YFMP28	1-7/8	6-1/8	11/16	Z28NR	Z2828	A	A28D	B28D	E28D	1	.21
250 kcmil	YFMR29	YFMP29	1-7/8	6-1/8	3/4	Z29NR	Z2929	A	A29D	B29D	E29D	1	.25
300 kcmil	YFMR30	YFMP30	2	6-9/16	13/16	Z30NR	Z3030	A	A30D	B30D	E30D	2	.31
350 kcmil	YFMR31	YFMP31	2	6-15/16	7/8	Z32NR	Z3132	A	A31D	B31D	E31D	2	.38
400 kcmil	YFMR32	YFMP32	2-1/8	7-1/16	31/32	Z32NR	Z3232	A	A32D	B32D	E32D	2	.43
500 kcmil	YFMR34	YFMP34	2-13/16	8-1/8	1-1/16	Z34NR	Z3434	A	A34D	No Nest Die Req'd.	E34D	2	.79
750 kcmil	YFMR39	YFMP39	2-3/4	9-1/16	1-5/16	Z34NRB	Z3434	B	—	—	E39D	2	1.1

TYPE YFMP-L

LONG MOLIMITER™ ASSEMBLY

For Use with Long MOLIMITER™ Assembly



Similar to Type YFMR and YFMP except for a long oil tight cable socket preferred by some users of paper-insulated cable. Fusing char-

acteristics shown in the technical sections. For proper HYPRESS™ installation, see table below.

Cable Size	Catalog Number	Dimensions in Inches			For Connection to MOLE™ Use		MOLE™ Outlet Size	Installation Information				Ship Wt. in Lbs.
		B	L	O.D.	Socket and Nut Assembly See Page 32	Z Cone See Page 33		HYPRESS™ & Indentor Die			Number of Indents	
								Y34A with Y34PR	Y34BH with Y34PR	Y44B with Y44R		
								Nest Die				
4/0 Str.	YFMP28L	3-1/16	7-5/16	11/16	Z28NR	Z2828	A	A28D	B28D	E28D	1	.27
250 kcmil	YFMP29L	3-1/16	7-5/16	11/16	Z29NR	Z2929	A	A29D	B29D	E29D	1	.32
300 kcmil	YFMP30L	3-3/8	7-15/16	13/16	Z30NR	Z3030	A	A30D	B30D	E30D	2	.39
350 kcmil	YFMP31L	3-3/8	8-5/16	7/8	Z32NR	Z3132	A	A31D	B31D	E31D	2	.48
400 kcmil	YFMP32L	3-3/8	8-5/16	31/32	Z32NR	Z3232	A	A32D	B32D	E32D	2	.54
500 kcmil	YFMP34PL	4-1/8	9-7/16	1-1/16	Z34NR	Z3434	A	A34D	No Nest Die Req'd.	E34D	2	.94
750 kcmil	YFMP39PL	4-3/16	10-3/8	1-5/16	Z34NRB	Z3434	B	—	—	E39D	2	1.3

For conductor sizes not listed call customer service.

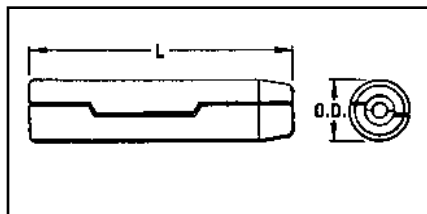
To specify a fast acting limiter in any configuration insert an "F" before the conductor number (e.g. YFSE34CR specifies a 1/2 thick limiter section).

Blue highlighted items are industry standard and most frequently ordered.

TYPES YFMH, YFMH-P

DURICOMP™ MOLIMITER™ SHELL

For Use with MOLIMITER™ Assemblies



A molded composite shell with heat proof arcing chamber to confine and break the arc created by fusing under overload conditions. Shells may be ordered separately to replace those damaged. Contains no asbestos.

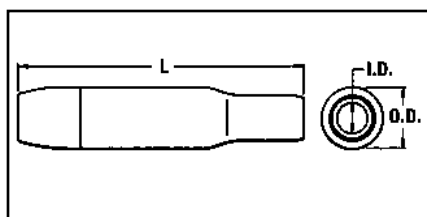
Cable Range	For Use on Rubber Insulated Cable	For Use on Paper Insulated Cable Long and Short Socket Type	Dimensions in Inches		App. Ship. Wt. in Lbs.
	Catalog Number	Catalog Number	L	O.D.	
4/0 Str. to 250 kcmil	YFMH2829	YFMH2829P	5-7/16	1-1/2	.42
300 kcmil to 400 kcmil	YFMH3032	YFMH3032P	6	1-11/16	.62
500 kcmil	YFMH34	YFMH34P	7-1/8	1-7/8	.73
750 kcmil	YFMH39	YFMH39P	7-1/8	2-1/16	.88

K-54

TYPE YFMC

INSULATING SLEEVE

For Use with MOLIMITER™ Assemblies



A two-part molded sleeve for insulating the MOLIMITER™ and composite shell assembly. Fitting closely over the shell, complete insulation is effected in a minimum of time.

Cable Range	Catalog Number	Dimensions in Inches			App. Ship. Wt. in Lbs.
		I.D.	L	O.D.	
4/0 Str. to 250 kcmil	YFMC6429	1	9-3/4	1-7/8	.37
300 kcmil to 400 kcmil	YFMC7232	1-1/8	10-5/16	2-3/16	.70
500 kcmil	YFMC8634	1-11/32	11-11/16	2-3/8	.93
750 kcmil	YFMC9639	1-1/2	12-3/16	2-9/16	1.2

For conductor sizes or sleeve inside diameters not listed call customer service.

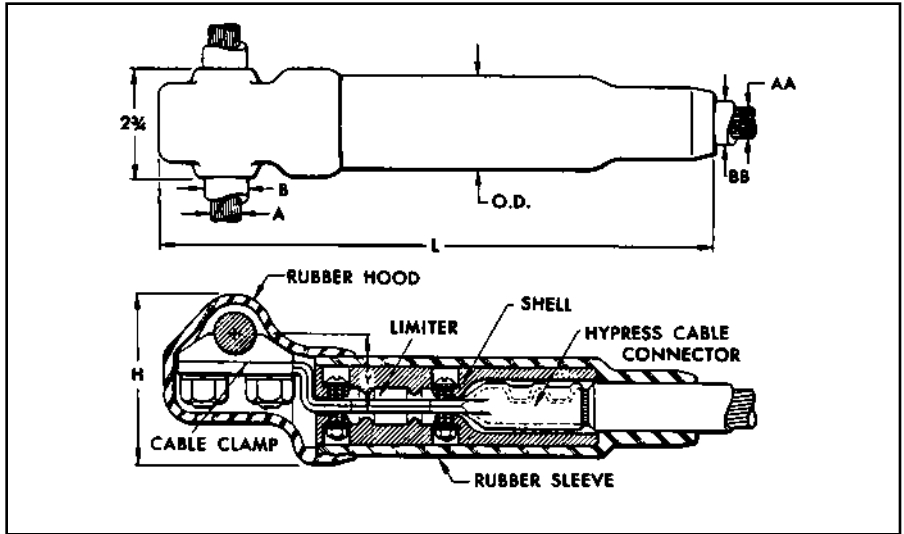
Blue highlighted items are industry standard and most frequently ordered.

TYPE VYFT

LIMITER TAP ASSEMBLY

For Insulated Cables

The Limiter Tap is suitable for making Limiter connections to a cable ring bus in a manhole or transformer vault. It can be installed on oil-impregnated, paper insulated, or rubber insulated cable. Fusing characteristics of the Limiter are the same as Type YFA shown in the technical section. The rubber sleeve and insulating hood reduce taping to a minimum. Catalog Numbers shown include hoods. If no hood is required, eliminate one "C" from the Catalog Number. Replaceable Link Limiter Taps can be ordered. For proper HYPRESS™ installation, see table below.



Paper-Lead Cables

If a long cable socket is preferred for use on paper insulated cable add "L" to the catalog number (e.g., VYFT3428CCP becomes VYFT3428CCPL).

Cable Size		For Use on Rubber Insul. Cable	For Use on Paper Insul. Cable-Oil Tight Cable Socket	Dimensions in Inches						Installation Information			App. Ship. Wt. in Lbs.
				B Max. Cable Dia. Over Insul.	BB Max. Cable Dia. Over Insul.	H	L	Y	O.D.	HYPRESS™ & Indentor Die	No. of Indents		
A Run	AA Tap	Catalog No.	Catalog No.							Y34A with Y34PR			Y34BH with Y34PR
500 kcmil	4/0 Str.	VYFT3428CCR	VYFT3428CCP	1-3/32	1	4	12-3/16	1-3/4	1-15/16	A28D	B28D	1	2.2
500 kcmil	500 kcmil	VYFT3434CCR	VYFT3434CCP	1-3/32	1-11/32	4	14-3/16	1-3/4	2-3/8	A34D	No Nest Die Req'd.	2	3.5
750 kcmil	500 kcmil	VYFT3934CCR	VYFT3934CCP	1-5/16	1-11/32	4	14-3/16	1-3/4	2-3/8	A34D	No Nest Die Req'd.	2	3.7
1000 kcmil	500 kcmil	VYFT4434CCR	VYFT4434CCP	1-1/2	1-11/32	4-1/8	14-3/16	2-3/32	2-3/8	A34D	No Nest Die Req'd.	2	4.0

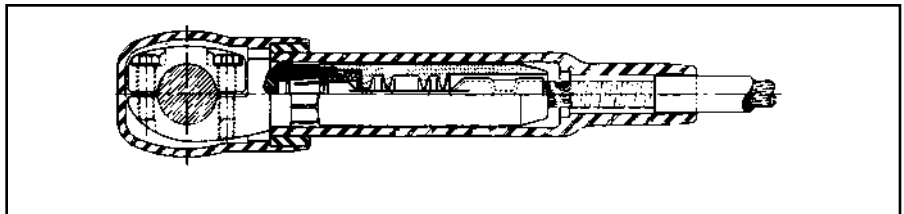
To specify a fast acting limiter in any configuration insert an "F" before the conductor number (e.g., YFSE34CR specifies a 1/2 thick limiter section).

K-55

TYPE NYFT

LIMITER TEE TAP

For Rubber or Paper Insulated Cables



The NYFT Limiter is similar to Type VYFT except the run conductor is clamped with a four bolt cap and the Limiter Tap is removable by means of a socket and nut assembly.

The Limiter current characteristics are the same as Type YFA shown in the technical section.

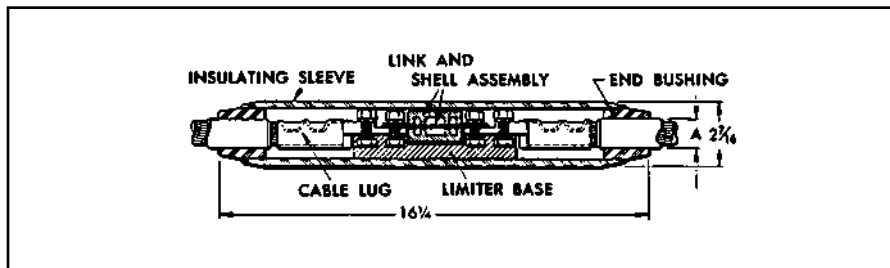
Blue highlighted items are industry standard and most frequently ordered.

TYPE LYS

REPLACEABLE LINK LIMITER

With DURICOMP™ Shell and Rubber Sleeve for Insulated Cables

The Replaceable Link Limiter incorporates the functions of both fuse and coupler. For use with rubber and paper-insulated cable, it is designed to facilitate rapid and inexpensive replacement of Limiter Links upon clearing. It also permits, if desired, the use of a Link rated for a lower ampere capacity than supplied with our standard Limiter. For proper HYPRESS™ installation, see table below.



Cable Size	Catalog Number	**(Max. Cable Dia. Over Insul. Inches) A	Number of Indents in Cable Socket	*Link Supplied		Installation Information				
						HYPRESS™ & Indentor Die			No. of Indents	App. Ship. Wt. in Lbs.
						Y29B with Y29PR	Y34A with Y34PR	Y34BH with Y34PR		
						Nest Die				
#4 Str.	LYS4CC	1/2	1	75A	LF1010	D4CL	A4CD	B4CD	1	2.1
#2 Str.	LYS2CC	3/4	1	100A	LF1014	D2CL	A2CD	B2CD	1	2.2
#1 Str.	LYS1CC		1	100A	LF1014	D1CL	A1cD	B1CD	1	2.2
1/0 Str.	LYS25C		1	150A	LF1025	D25L	A25D	B25D	1	2.2
2/0 Str.	LYS26C	1	1	150A	LF1025	D26L	A26D	B26D	1	2.3
3/0 Str.	LYS27C		1	200A	LF2019	D27L	A27D	B27D	1	2.3
4/0 Str.	LYS28C		1	250A	LF2027	D28L	A28D	B28D	1	2.4
250 kcmil	LYS29C	1	1	250A	LF2027	D29L	A29D	B29D	1	2.4
300 kcmil	LYS30C		2	300A	LF2038	—	A30D	B30D	2	2.5
350 kcmil	LYS31C		2	300A	LF2038	—	A31D	B31D	2	2.6
400 kcmil	LYS32C	1-1/4	2	400A	LF2065	—	A32D	B32D	2	2.7
500 kcmil	LYS34C		2	400A	LF2065	—	A34D	No Nest Die Req'd.	2	3.1

* Fuse link supplied is selected on the basis of a minimum blowing current of approximately twice the NEC rubber-insulated cable rating. Refer to Time Current curves shown and specify if another size is desired.

** The standard end bushing supplied is for maximum cable insulation diameters as shown. Compact cable will require a bushing with a smaller inside diameter to accommodate the smaller insulation diameter of the cable. If other than standard bushing is required, contact customer service.

To specify a fast acting limiter in any configuration insert an "F" before the conductor number (e.g., YFSF34CR specifies a 1/2 thick limiter section).

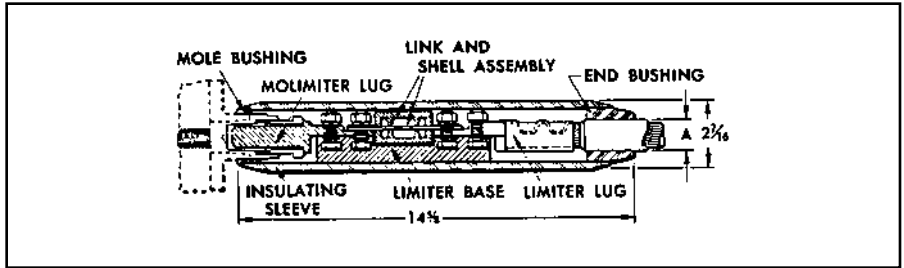
K-56

Blue highlighted items are industry standard and most frequently ordered.

TYPE LYM

**REPLACEABLE LINK
MOLIMITER™**

With DURICOMP™ Shell
and Rubber Sleeve for
Insulated Cables



The Replaceable Link MOLIMITER™ is used to fuse underground cables at junction points with BURNDY® MOLEs. The “Replaceable Link” feature permits the selection of one of several links. In addition, the replacement of links that have burned clear is both rapid and inexpensive. For use with both rubber and paper insulated cables. The MOLE™ end of the MOLIMITER™ is installed in the MOLE™ Socket and Nut Assembly, while the cable socket end is HYPRESS™ installed, see table below for proper installation.

Cable Size	Catalog Number	**(Max. Cable Dia. Over Insul. Inches) A	Number of Indents in Cable Socket	*Link Supplied		For Connection to MOLE™ Use		Installation Information				App. Ship. Wt. in Lbs.				
						Ampere Capacity	Catalog Number	Socket and Nut Assembly see pg. K-32	Z Cone see pg. K-33	HYPRESS™ & Indentor Die			No. of Indents			
										Catalog Number	Catalog Number			Y29B with Y29PR	Y34A with Y34PR	Y34BH with Y34PR
														Nest Die		
#2 Str.	LYM2CC	3/4	1	100A	LF1014	Z28NR	Z2828	D2CL	A2CD	B2CD	1	2.0				
#1 Str.	LYM1CC		1	100A	LF1014	Z28NR	Z2828	D1CL	A1CD	B1CD	1	2.1				
1/0 Str.	LYM25C		1	150A	LF1025	Z28NR	Z2828	D25L	A25D	B25D	1	2.1				
2/0 Str.	LYM26C	1	1	150A	LF1025	Z28NR	Z2828	D26L	A26D	B26D	1	2.1				
3/0 Str.	LYM27C		1	200A	LF2019	Z28NR	Z2828	D27L	A27D	B27D	1	2.1				
4/0 Str.	LYM28C		1	250A	LF2027	Z28NR	Z2828	D28L	A28D	B28D	1	2.1				
250 kcmil	LYM29C	1-1/4	1	250A	LF2027	Z29NR	Z2929	D29L	A29D	B29D	1	2.2				
300 kcmil	LYM30C		2	300A	LF2038	Z30NR	Z3030	—	A30D	B30D	2	2.3				
350 kcmil	LYM31C		2	300A	LF2038	Z32NR	Z3132	—	A31D	B31D	2	2.5				
400 kcmil	LYM32C		2	400A	LF2065	Z32NR	Z3232	—	A32D	B32D	2	2.6				
500 kcmil	LYM34C		2	400A	LF2065	Z34NR	Z3434	—	A34D	No Nest Die Req'd.	2	2.9				

* Fuse link supplied is selected on the basis of a minimum blowing current of approximately twice the NEC rubber-insulated cable rating. Refer to Time Current curves shown and specify if another size is desired.

** The standard end bushing supplied is for maximum cable insulation diameters as shown. Compact cable will require a bushing with a smaller inside diameter to accommodate the smaller insulation diameter of the cable. If other than standard bushing is required, contact customer service.

K-57

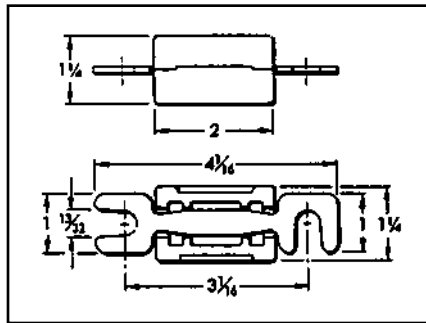
Blue highlighted items are industry standard and most frequently ordered.

TYPE LF

LIMITER LINK

For Use with All Replaceable Limiters

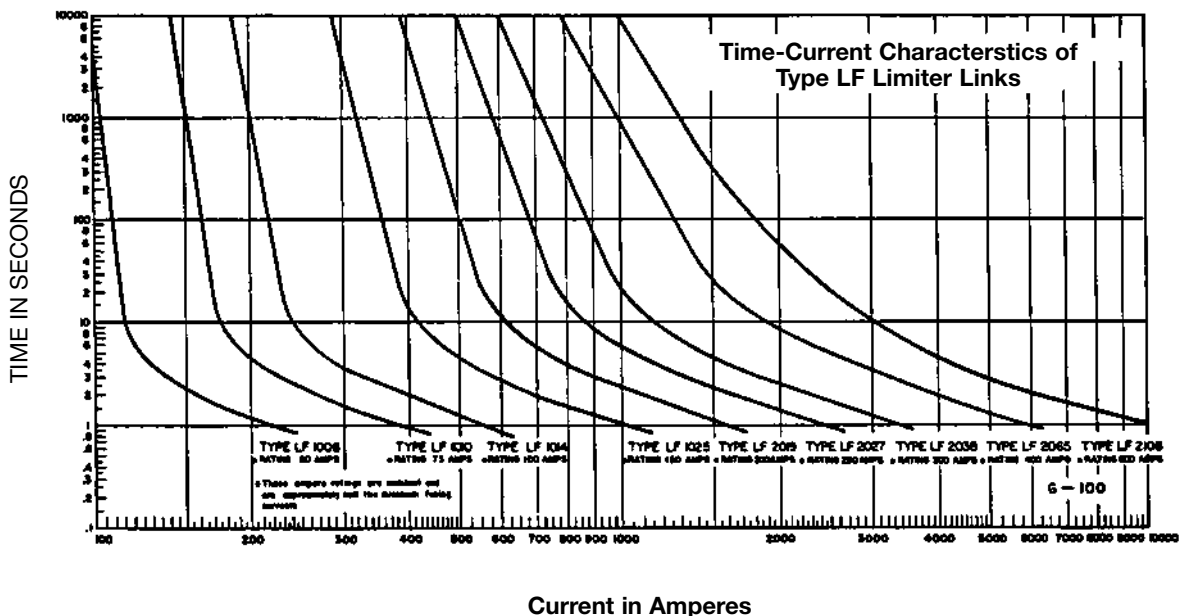
Made of pure copper, the Limiter Link is controlled dimensionally to close tolerances to maintain accurate fusing characteristics. Refer to Time-Current Characteristic curve shown below and specify rating desired. The Limiter Link is supplied enclosed in a shell with heat-proof chamber to confine and break the arc created by fusing.



Ampere Capacity	*Catalog Number	Approx. Ship. Wt. in Lbs.
50A	LF1006	.08
75A	LF1010	.08
100A	LF1014	.08
150A	LF1025	.08
200A	LF2019	.09
250A	LF2027	.09
300A	LF2038	.11
400A	LF2065	.12
500A	LF2108	.15

* For use with LYS and LYM.

K-58



Time-Current Fusing Characteristics of Type LF Limiter Links

The nominal current ratings of these Limiter Links are approximately one-half the minimum currents required to clear the fuses. The general slope and shape of the curves are similar to those of the time-current curves of the Limiters. The Type LF Limiter Links are made of pure copper with dimensions carefully controlled in order to maintain accurate fusing characteristics.

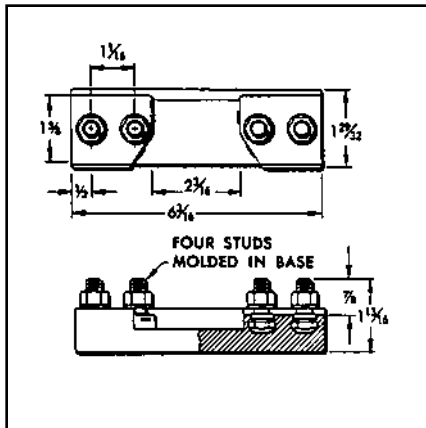
Blue highlighted items are industry standard and most frequently ordered.

TYPE LYS34P1

LIMITER BASE

For Use With All Replaceable Limiters

A heat resisting, high impact, molded phenolic base for mounting HYDENT™ Cable lugs or MOLIMITER™-lugs. The bases are supplied with molded in studs, enabling the lugs to be easily assembled to BURNDY® Replaceable Limiter Links. They may be purchased separately for use with all Replaceable Limiters.



Catalog Number	For Use with	Approx. Ship. Wt. in Lbs.
LYS34P1G5	LYM	.32
	LYS	

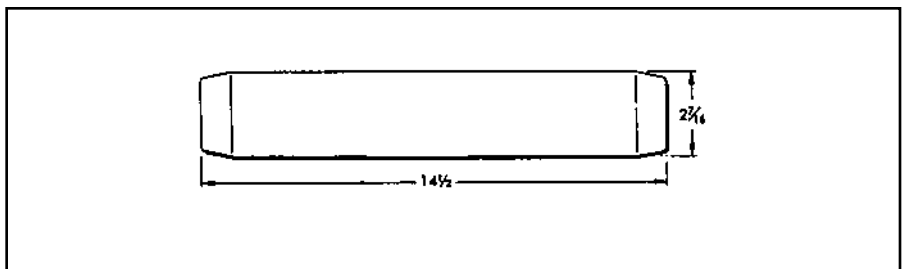
K-59

TYPE LYS34P2

LIMITER SLEEVE

For Use With Replaceable Limiters

A molded sleeve for insulating the Replaceable Limiter and MOLIMITER™ assemblies. Similar to other component parts, the insulating sleeves may be purchased separately. These sleeves are used in conjunction with the LYS-P6 bushings.



Catalog Number	For Use with	Approx. Ship. Wt. in Lbs.
LYS34P2	LYS	1.2
	LYM	

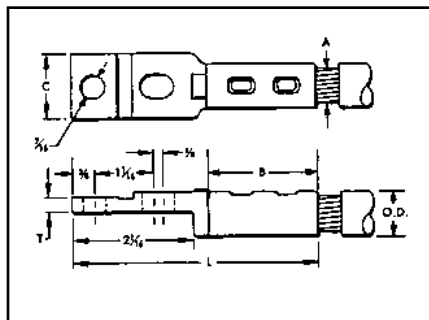
Blue highlighted items are industry standard and most frequently ordered.

TYPE LYS-P5

HYLUG™

For Use with Replaceable Limiters

Fabricated of high copper alloy, this terminal has a sealed cable socket for use with paper-insulated, oil-impregnated cables as well as rubber-insulated cables. Tin plated to retard corrosion and prevent discoloration. The HYLUG™ is for use with LYS and LYM.



Cable Size A	Catalog Number	Dimensions in Inches					Installation Information			No. of Indents	App. Ship. Wt. in Lbs.
							HYPRESS™ & Indentor Die				
		B	C	L	T	O.D.	Y29B with Y29PR	Y34A with Y34PR	Y34B with Y34PR		
#6 Str.	LYS6CP5	1-1/4	3/4	3-9/16	3/16	5/16	D6CL	A6CD	B6CD	1	.16
#4 Str.	LYS4CP5	1-1/4	3/4	3-5/8	3/16	11/32	D4CL	A4CD	B4CD	1	.16
#2 Str.	LYS2CP5	1-9/32	3/4	3-3/4	3/16	13/32	D2CL	A2CD	B2CD	1	.17
#1 Str.	LYS1CP5	1-3/8	3/4	3-29/32	3/16	15/32	D1CL	A1CD	B1CD	1	.20
1/0 Str.	LYS25P5	1-3/8	3/4	3-15/16	3/16	17/32	D25L	A25D	B25D	1	.22
2/0 Str.	LYS26P5	1-1/2	13/16	4-1/16	3/16	9/16	D26L	A26D	B26D	1	.24
3/0 Str.	LYS27P5	1-1/2	29/32	4-1/16	3/16	5/8	D27L	A27D	B27D	1	.28
4/0 Str.	LYS28P5	1-5/8	1-1/8	4-3/16	3/16	11/16	D28L	A28D	B28D	1	.31
250 kcmil	LYS29P5	1-5/8	1-1/8	4-3/16	1/4	3/4	D29L	A29D	B29D	1	.37
300 kcmil	LYS30P5	2	1-3/8	4-9/16	1/4	13/16	—	A30D	B30D	2	.42
350 kcmil	LYS31P5	2	1-9/16	4-9/16	1/4	7/8	—	A31D	B31D	2	.53
400 kcmil	LYS32P5	2-1/8	1-9/16	4-11/16	1/4	31/32	—	A32D	B 32D	2	.61
500 kcmil	LYS34P5	2 1/4	1-9/16	4-13/16	1/4	1-1/16	—	A34D	No Nest Die Req.	2	.70

K-60

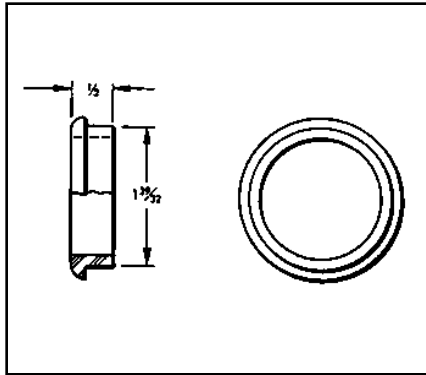
Blue highlighted items are industry standard and most frequently ordered.

TYPE LYM34P3

BUSHING

For Use with Replaceable Limiters

Type LYM34P3 is for assembly of Replaceable MOLIMITERS™ to the MOLE™ outlet. It fills the space between Limiter sleeve and the MOLE™ outlet to allow easy taping.



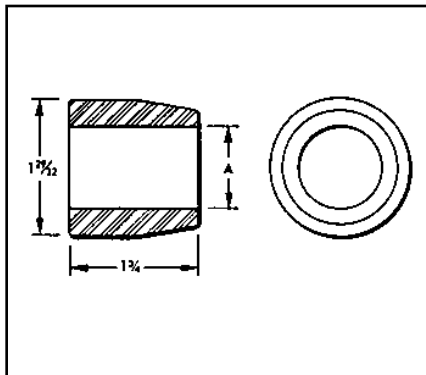
Catalog Number	For Use With	MOLE™ Outlet Size	App. Ship. Wt. in Lbs.
LYM34P3	LYM	A	.01
	LZM		

TYPE LYS-P6

BUSHING

For Use with Replaceable Limiters

The LYS-P6 bushing is designed to fit closely over the cable insulation when used with the LYS34P2 Limiter sleeve. It fills the space between the Limiter sleeve and cable. The tapered bushing facilitates taping at installation.



K-61

Catalog Number	(Max. Cable Dia. Over Insul.) A	For Use With	App. Ship. Wt. in Lbs.
LYS32P6	1/2	LYS LYM	.19
LYS48P6	3/4		.19
LYS64P6	1		.16
LYS80P6	1-1/4		.12

Blue highlighted items are industry standard and most frequently ordered.

TYPES Y, Z

NETWORK PROTECTOR FUSES AND DURICOMP™ ENCLOSURES

Type Z Network Protector Fuses are designed to coordinate with the fusible sections of the Limiters as well as the Protector characteristic itself. A DURICOMP™ enclosure is designed especially to form an arcing chamber for these fuses and contains no asbestos. The hole spacings in the tongues of these fuses are such that they will fit standard Network Protectors. See Time Current characteristic curve below. The Fuse element and the housing must be purchased separately.

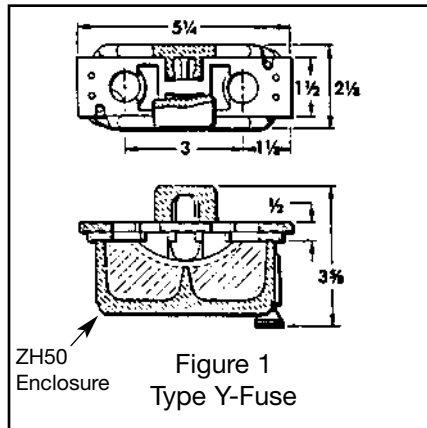


Figure 1
Type Y-Fuse

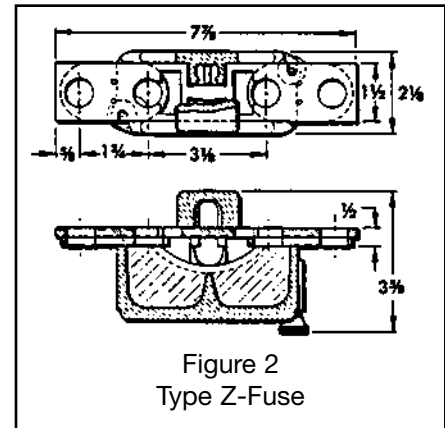
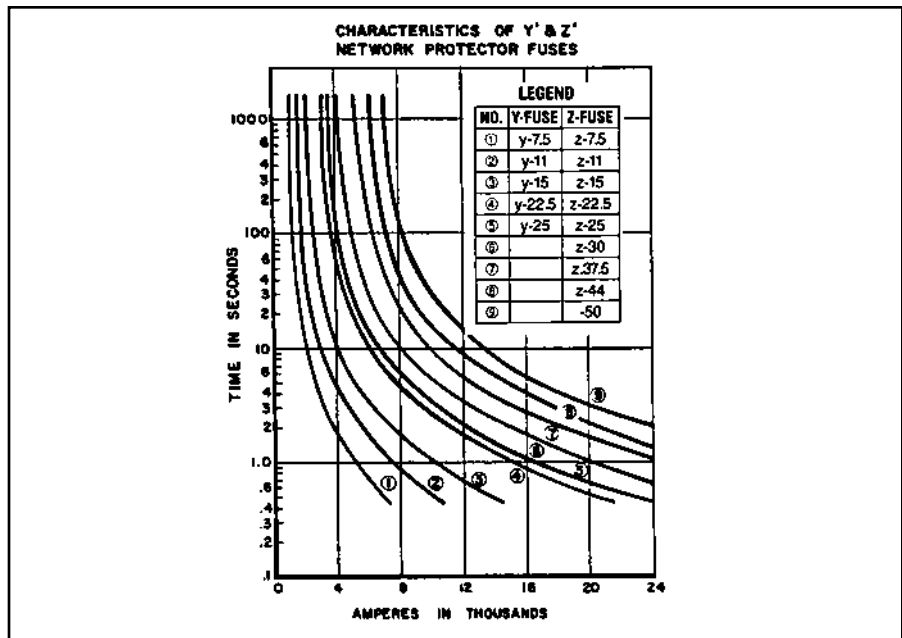


Figure 2
Type Z-Fuse



K-62

Fuse Designation Catalog Number				Transformer Full Load (Normal) Amperes	DURICOMP™ Enclosure
Y-Fuse Fig. 1	App. Ship. Wt. in Lbs.	Z-Fuse Fig. 2	App. Ship. Wt. in Lbs.		
Y-7.5	.45	Z-7.5	.95	400	ZH50
Y-11	.46	Z-11	.96	600	
Y-15	.48	Z-15	.98	800	
Y-22.5	.50	Z-22.5	1.0	1200	
Y-25	.63	Z-25	1.13	1333	
—	.75	Z-30	1.25	1600	
Y-37.5	.78	Z-37.5	1.28	2000	
—	—	Z-44	1.29	2500	
Y-50	.80	Z-50	1.30	3000	

Blue highlighted items are industry standard and most frequently ordered.

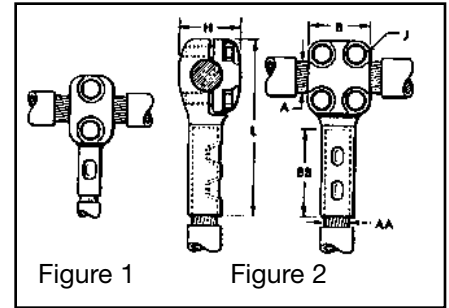
TYPE NYT

T-CONNECTOR

Cable Run – Cable Tap

A “T” connector designed to provide a clamp-type element on the run and a permanent HYPRESS™ connection on the tap. Recommended for use on ring buses or for applications where occasional disconnects

from the run conductor are desired without disturbing the tap connection. Tin plated. For proper installation of tap cable, see table below.



Conductor Size		Catalog Number	Fig. No.	Dimensions in Inches					Installation Information				No. of Indents	App. Ship. Wt. in Lbs.				
									HYPRESS™ and Indentor Die						Nest Die			
									Y29B with Y29PR	Y34A with Y34PR	Y34B with Y34PR	Y44B with Y44PR						
Run A	Tap AA		B	BB	H	J	L											
4/0 Str.	#2 Str.	NYT282C	1	1-3/8	1-1/4	1-3/8	3/8	3-13/16	D2CL	A2CD	B2CD	—	1	1.5				
	1/0 Str.	NYT2825	1	1-3/8	1-3/8	1-3/8	3/8	4	D25L	A25D	B25D	—	1	1.5				
	2/0 Str.	NYT2526	1	1-3/8	1-1/2	1-3/8	3/8	4-1/8	D26L	A26D	B26D	—	1	1.5				
	4/0 Str.	NYT2828	2	2	1-5/8	1-3/8	3/8	4-5/16	D28L	A28D	B28D	E28D	1	2.2				
250 kcmil	#2 Str.	NYT292C	1	1-3/8	1-1/4	1-7/16	3/8	3-13/16	D2CL	A2CD	B2CD	—	1	1.5				
	1/0 Str.	NYT2925	1	1-3/8	1-3/8	1-7/16	3/8	4-1/16	D25L	A25D	B25D	—	1	1.5				
	2/0 Str.	NYT2926	1	1-3/8	1-1/2	1-7/16	3/8	4-3/16	D26L	A26D	B26D	—	1	1.5				
	4/0 Str.	NYT2928	2	2	1-5/8	1-7/16	3/8	4-3/8	D28L	A28D	B28D	E28D	1	2.2				
	250 kcmil	NYT2929	2	2	1-5/8	1-7/16	3/8	4-7/16	D29L	A29D	B29D	E29D	1	2.2				
350 kcmil	1/0 Str.	NYT3125	1	1-3/8	1-3/8	1-1/2	3/8	4-1/8	D25L	A25D	B25D	—	1	1.5				
	2/0 Str.	NYT3126	1	1-3/8	1-1/2	1-1/2	3/8	4-5/16	D26L	A26D	B26D	—	1	1.5				
	4/0 Str.	NYT3128	2	2	1-5/8	1-1/2	3/8	4-1/2	D28L	A28D	B28D	E28D	1	2.2				
	250 kcmil	NYT3129	2	2	1-5/8	1-1/2	3/8	4-9/16	D29L	A29D	B29D	E29D	1	2.2				
	350 kcmil	NYT3131	2	2	2	1-1/2	3/8	5	—	A31D	B31D	E31D	2	2.5				
500 kcmil	2/0 Str.	NYT3426	1	1-3/8	1-1/2	1-5/8	3/8	4-7/16	D26L	A26D	B26D	—	1	1.7				
	4/0 Str.	NYT3428	2	2	1-5/8	1-5/8	3/8	4-5/8	D28L	A28D	B28D	E28D	1	2.5				
	250 kcmil	NYT3429	2	2	1-5/8	1-5/8	3/8	4-5/8	D29L	A29D	B29D	E29D	1	2.5				
	350 kcmil	NYT3431	2	2	2	1-5/8	3/8	5-1/16	—	A31D	B31D	E31D	2	2.5				
	500 kcmil	NYT3434	2	2	2-1/4	1-5/8	3/8	5-3/8	—	A34D	No Nest Die Req'd.	E34D	2	2.5				
750 kcmil	2/0 Str.	NYT3926	1	1-3/8	1-1/2	1-7/8	3/8	4-5/8	D26L	A26D	B26D	—	1	1.7				
	4/0 Str.	NYT3928	2	2	1-5/8	1-7/8	3/8	4-13/16	D28L	A28D	B28D	E28D	1	2.5				
	250 kcmil	NYT3929	2	2	1-5/8	1-7/8	3/8	4-13/16	D29L	A29D	B29D	E29D	1	2.5				
	350 kcmil	NYT3931	2	2	2	1-7/8	3/8	5-1/4	—	A31D	B31D	E31D	2	2.5				
	500 kcmil	NYT3934	2	2	2-1/4	1-7/8	3/8	5-9/16	—	A34D	No Nest Die Req'd.	E34D	2	2.7				
1000 kcmil	750 kcmil	NYT3939	2	2	2-7/8	1-7/8	3/8	6-1/4	—	—	—	E39D	2	3.0				
	2/0 Str.	NYT4426	1	1-3/8	1-1/2	2-1/8	3/8	4-3/4	D26L	A26D	B26D	—	1	1.7				
	4/0 Str.	NYT4428	2	2	1-5/8	2-1/8	3/8	4-15/16	D28L	A28D	B28D	E28D	1	2.5				
	250 kcmil	NYT4429	2	2	1-5/8	2-1/8	3/8	5	D29L	A29D	B29D	E29D	1	2.5				
	350 kcmil	NYT4431	2	2	2	2-1/8	3/8	5-7/16	—	A31D	B31D	E31D	2	2.5				
	500 kcmil	NYT4434	2	2	2-1/4	2-1/8	3/8	5-3/4	—	A34D	No Nest Die Req'd.	E34D	2	2.7				
	750 kcmil	NYT4439	2	2	2-7/8	2-1/4	3/8	6-3/8	—	—	—	E39D	2	3.0				
	1000 kcmil	NYT4444	2	2-11/16	3	2-5/16	1/2	7	—	—	—	No Nest Die Req'd.	2	3.2				
1500 kcmil	4/0 Str.	NYT4628	2	2	1-5/8	2-11/16	3/8	5-3/8	D28L	A28D	B28D	E28D	1	4.7				
	250 kcmil	NYT4629	2	2	1-5/8	2-11/16	3/8	5-7/16	D29L	A29D	B29D	E29D	1	4.7				
	350 kcmil	NYT4631	2	2	2	2-11/16	3/8	5-7/8	—	A31D	B31D	E31D	2	4.7				
	500 kcmil	NYT4634	2	2	2-1/4	2-11/16	3/8	6-3/16	—	A34D	No Nest Die Req'd.	E34D	2	4.7				
	750 kcmil	NYT4639	2	2	2-7/8	2-11/16	3/8	6-3/4	—	—	—	E39D	2	5.2				
	1000 kcmil	NYT4644	2	2-11/16	3	2-3/4	1/2	7-1/8	—	—	—	No Nest Die Req'd.	2	7.5				
	1500 kcmil	NYT4646	2	2-11/16	3-3/16	2-3/4	1/2	7-11/16	—	—	—	C46D*	2	8.0				

* Y48B HYPRESS™ with Y48PR indentor.

K-63

HIGH CAPACITY LIMITER

200,000 AMPERES AT 600 VOLTS

The BURNDY® High Capacity Limiter is designed to economically protect electrical distribution systems from the destructive effect of high energy faults. The increasing number of 600 volt secondary network installations for industrial and commercial applications demand a cable limiter that can safely interrupt 200,000 amperes (symmetrical available) and one that will also completely coordinate with the higher voltage network protector fuses.

Available fault currents as high as 200,000 amperes rms at 600 volts across the fusible elements have been interrupted during tests on the BURNDY® High Capacity Limiter. The power factor during these tests was less than 15%, thereby imposing the most difficult clearing conditions. No external disturbance is experienced upon clearing fault currents from the "float" value to 200,000 amperes. The quartz tiller absorbs the intense energy

generated by interrupting the fault current. The quartz fuses into tubular fulgurites, with a high dielectric strength, and forms an insulating barrier between the melted link sections. This action prevents restrike of the internal arc. The rugged aluminum housing and cast epoxy end seals provide a vessel that completely contains the developed energy.

The carefully developed time-current characteristics and rigid manufacturing tolerances assure proper coordination with the network protector fuses and the insulation damage characteristics of 4/0, 250, 350, 500 kcmil and 750 cable.

The High Capacity Limiter is available in four variations to accommodate a variety of installation practices. The Type HYS cable sockets at both ends, which allow for indenting to the cable ends with a hydraulic BURNDY® HYPRESS™. The HYA has an off-set lug on

one end which permits back-to-back mounting on bus bar. The HYA also allows cable to installation with no off-set.

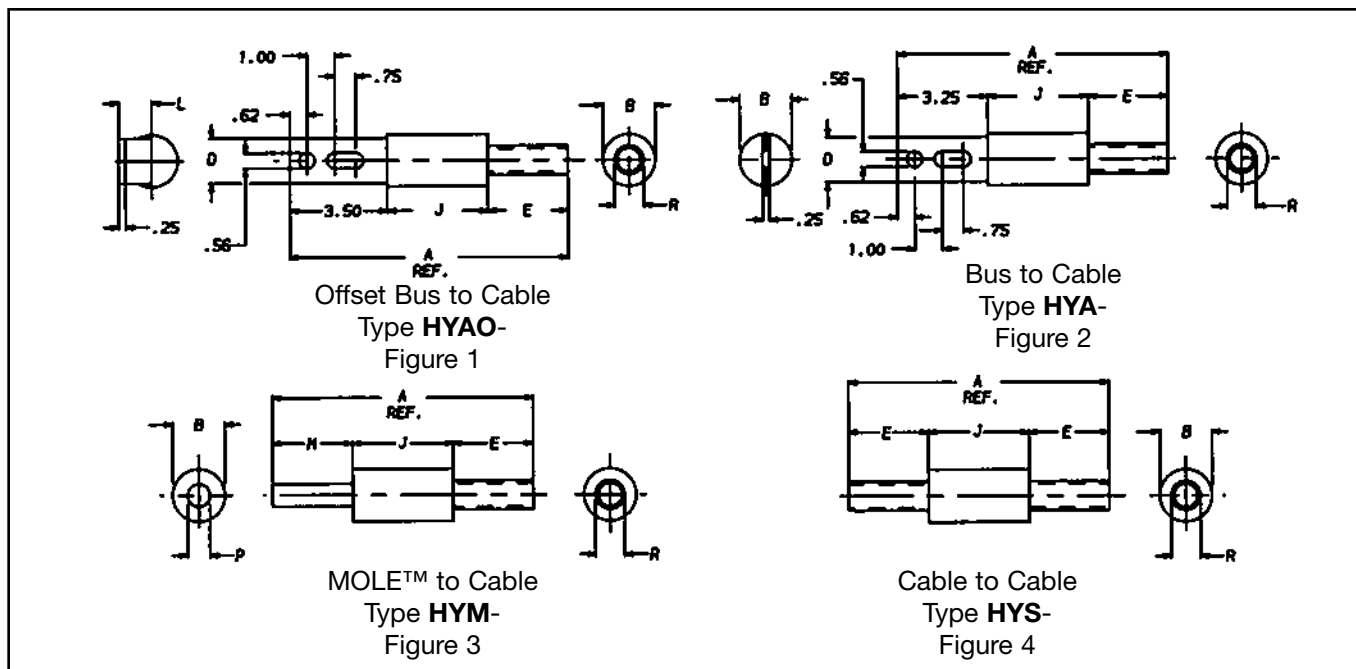
For those installations where BURNDY® MOLEs are used for manhole junctions or transformer vault buses, the Type HYM permits a replaceable connection of the limiter directly to the MOLE™ outlet at one end and a compression cable connection at the other.

Modern electrical distribution systems require low cost protection to safeguard costly equipment and quickly isolate faults, so that the undamaged portions of the system may function normally. BURNDY® High Capacity Limiters assure positive, economical protection when installed in properly designed systems.

NOTE: Today's fault currents are growing. If you need higher fault current ratings please contact factory.

HIGH CAPACITY LIMITER

200,000 AMPERES AT 600
VOLTS



K-65

④ Catalog Number	Cable Size	Fig. No.	A		B		D		E		J		L		M		P		R		Die Index	Die	No. of Crimps per End
			In	mm	In	mm	In	mm	In	mm	In	mm	In	mm	In	mm	In	mm	In	mm			
HYAO_28	4/0	1	8.87	225	1.44	37	1.12	28	1.75	44	3.62	92	.96	24	—	—	—	—	.68	17	15	U28RT	2
HYAO_29	250 kcmil	1	9.00	229	1.44	37	1.12	28	1.88	48	3.62	92	.96	24	—	—	—	—	.75	19	16	U29RT	2
HYAO_31	350 kcmil	1	9.12	232	1.62	41	1.12	28	2.00	51	3.62	92	.96	24	—	—	—	—	.88	22	18	U31RT	4
HYAO_34	500 kcmil	1	10.00	254	1.88	48	1.62	41	2.88	73	3.62	92	1.19	30	—	—	—	—	1.05	27	20	U34RT	4
HYAO_39	750 kcmil	1	10.13	257	2.50	64	2.00	51	2.88	73	3.75	95	1.31	33	—	—	—	—	1.32	34	24	U39RT	4
HYA_28	4/0	2	8.62	219	1.44	37	1.12	28	1.75	44	3.62	92	—	—	—	—	—	—	.68	17	15	U28RT	2
HYA_29	250 kcmil	2	8.75	222	1.44	37	1.12	28	1.88	48	3.62	92	—	—	—	—	—	—	.75	19	16	U29RT	2
HYA_31	350 kcmil	2	8.87	225	1.62	41	1.12	28	2.00	51	3.62	92	—	—	—	—	—	—	.88	22	18	U31RT	4
HYA_34	500 kcmil	2	9.75	248	1.88	48	1.62	41	2.88	73	3.62	92	—	—	—	—	—	—	1.05	27	20	U34RT	4
HYA_39	750 kcmil	2	9.88	251	2.50	64	2.00	51	2.88	73	3.75	95	—	—	—	—	—	—	1.32	34	24	U39RT	4
HYM_28	4/0	3	7.87	200	1.44	37	—	—	1.75	44	3.62	92	—	—	2.50	64	.52	13	.68	17	15	U28RT	2
HYM_29	250 kcmil	3	8.00	203	1.44	37	—	—	1.88	48	3.62	92	—	—	2.50	64	.58	14	.75	19	16	U29RT	2
HYM_31	350 kcmil	3	8.12	206	1.62	41	—	—	2.00	51	3.62	92	—	—	2.50	64	.68	17	.88	22	18	U31RT	4
HYM_34	500 kcmil	3	9.38	238	1.88	48	—	—	2.88	73	3.62	92	—	—	2.88	73	.81	21	1.05	27	20	U34RT	4
HYM_39	750 kcmil	3	9.51	242	2.50	64	—	—	2.88	73	3.75	95	—	—	2.88	73	1.00	25	1.32	34	24	U39RT	4
HYS_28	4/0	4	7.12	180	1.44	37	—	—	1.75	44	3.62	92	—	—	—	—	—	—	.68	17	15	U28RT	2
HYS_29	250 kcmil	4	7.38	188	1.44	37	—	—	1.88	48	3.62	92	—	—	—	—	—	—	.75	19	16	U29RT	2
HYS_31	350 kcmil	4	7.62	194	1.62	41	—	—	2.00	51	3.62	92	—	—	—	—	—	—	.88	22	18	U31RT	4
HYS_34	500 kcmil	4	9.38	238	1.88	48	—	—	2.88	73	3.62	92	—	—	—	—	—	—	1.05	27	20	U34RT	4
HYS_39	750 kcmil	4	9.51	242	2.50	64	—	—	2.88	73	3.75	95	—	—	—	—	—	—	1.32	34	24	U39RT	4

Notes:

- For insulated version add suffix "-C" to Catalog Number (example: HYM5340C).
- High Capacity Limiter. 200kA interrupting capacity at 600V AC.

3. Cable end utilize dies with Y35, Y39, Y46, Y45, Y750 tools (750 kcmil size units cannot be installed with the Y35 HYPRESS™).

④ For fast operating limiter use "F"; for slow or standard operating limiter use "S" before conductor number (example: HYMF34 or HYMS34) see Time-Current Characteristics.

Blue highlighted items are industry standard and most frequently ordered.

PRODUCTS FOR UNDERGROUND RESIDENTIAL DISTRIBUTION SYSTEMS

For over 70 years, BURNDY® has pioneered and produced economical, dependable connectors and protective devices for urban underground distribution systems. This extensive experience has been applied to the development of equipment for low cost underground distribution systems for light commercial and residential areas.

Increasing interest by home buyers and developers has created a need for URD components comparable in cost with those used in overhead systems.






Using connectors designed for other purposes, early URD installations were relatively expensive. Recognizing the need to reduce

installation costs BURNDY® developed a line of connectors specifically for URD.

These products are shown in this section. They are the result of a continuing search for new materials and more efficient production methods to bring down cost to meet the requirements of low cost underground construction.

TABLE OF CONTENTS

MOLEs



	Type RDMD-28G	K-67
	Type RDMD-2858D	K-67
	Type RDMD-28 CR	K-67
	Type RDM-28	K-67
	Type RDM-28T	K-68

Tap Kits

	Types RYA-UC, RYA-AC RYA-UCR, RYA-ACR Tap Kits	K-68
	Types RA6UC-SL, RA6UCR-SL Tap Kits	K-69
	Type YS-CG Insulated Splice Kit	K-70

	Type Y-LOK	K-70
---	-----------------------------	-------------

HYREDUCER™ Splices

	Type YRB-U	K-71 - K-73
	Type YRB-T	K-74 - K-75

Service Taps & Transformer Terminals

	Type K-P-C	K-76
	Type YPC-C	K-76
	Types K6B, K33B	K-77

	Type F-A	K-78
---	---------------------------	-------------

	Type K6A34U-6N	K-78
---	---------------------------------	-------------

	Type K-P-UC	K-78
---	------------------------------	-------------

Power Distribution Blocks

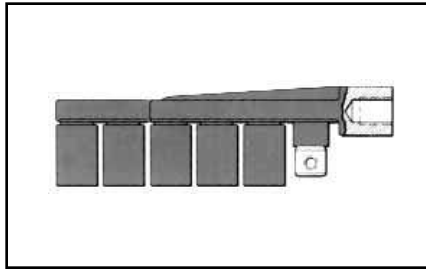
	Types BPD, BPD2	K-79
---	----------------------------------	-------------

Blue highlighted items are industry standard and most frequently ordered.

TYPE RDMD-28G

URD STUD MOLE™

The RDMD-28G Stud MOLE™ is a submersible junction designed to accommodate a range of copper and aluminum conductors. The Stud MOLE™ is designed for use on transformers where a dead front secondary is required. It is insulated with molded EPT rubber. Mates with a 5/8"-11 copper stud. A jam nut is supplied with the MOLE™ to secure and lock it to the stud.



It is available with either four or six outlets. All outlets except one have factory installed removable sealing caps. Tap kits are ordered separately. REA listed.

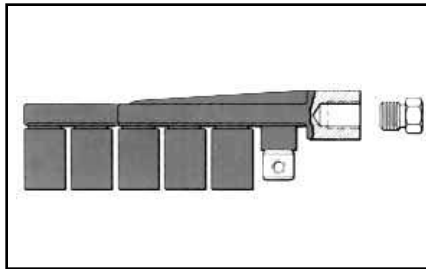
Also available without insulation and sealing caps.

Catalog Number	Number of Outlets	Insulated
RDMD4-28G3	4	Yes
RDMD6-28G3	6	Yes

TYPE RDMD-2858D

STUD MOLE™

The RDMD-2858D Stud MOLE™ is identical to the insulated RDMD-28G except an adapter is supplied, allowing MOLE™ to be removed from transformer stud without disconnecting the individual services.



Catalog Number	Number of Outlets	Insulated
RDMD4-2858D	4	Yes
RDMD6-2858D	6	Yes

K-67

TYPE RDMD-28CR

RUBBER INSULATING BOOT

The EPDM rubber force fit boot is designed to provide a completely dead-front and moisture tight installation when used with either the Type RDMD-28G3 or Type RDMD-2858D Stud MOLE™. Bushing end will seal any diameter from .875 to 1.125 inch.

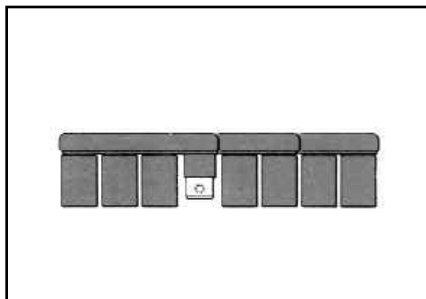


TYPE RDM-28

URD MOLE™

For Aluminum or Copper

Type RDM-28 MOLE™ is an economical, insulated, submersible service junction suitable for direct burial or for use in enclosures. Disconnectable joints allow additions of new services without disturbing previous installations. Taping is eliminated, heat-shrink or force-fit rubber sleeves insulate each joint. Rubber is used to insulate the MOLE™ body. Removable sealing covers are supplied on all



outlets but two. REA listed Tap Kits, including HYLUG™, hardware and sleeve are ordered separately.

Catalog Number	Number of Outlets
RDM4-28	4
RDM6-28	6
RDM8-28	8

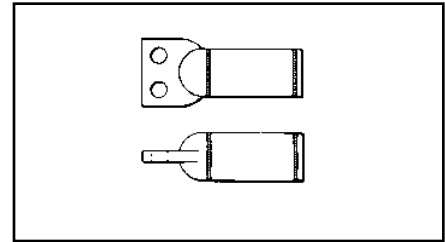
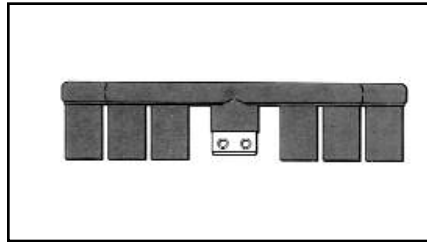
Blue highlighted items are industry standard and most frequently ordered.

TYPE RDM-28T

URD MOLE™

For Aluminum and Copper

The RDM-28T MOLE™ is available with five or seven outlets. The single hole outlets are the same size as the RDM-28 series and accommodate the same RYA-UC or RYA-UCR tap kits. The larger two-hole outlet accommodates the 500 or 350 kcmil copper cable secondary supplied with many sub-surface transformers. These cables are extended to a junction point where secondary mains or services are connected. Tin-plated copper RYA-C-2 tap kits are used to join the 500 or 350 kcmil copper secondaries to the RDM-28T MOLE™.



Catalog Number	Number of Outlets	
	12 Sol. - 350	350 - 500
RDM5-28T	4	1
RDM7-28T	6	1

Copper Conductor	Catalog Number		Die Index	Tools, Die Set, Catalog No. & (No. of Crimps)	
	Heat Shrink	Force Fit		Y34A	Y35* Series Y750, 739
350	RYA31C-2	RYA31CR-2	20	A34R (4)	U34RT (4)
500	RYA34C-2	RYA34CR-2			

* Y35 U-Dies with adapter PT6515 can also be used in Y45 series HYPRESSES™. Same number of crimps as Y35.

TYPES RYA-UC, RYA-AC

MOLE™ TAP KITS

For Aluminum or Copper
For Use with Type RDM-28 URD MOLE™



Conductor		Catalog Number			EEL Die Index	Die Index	Tools, Die Set Catalog Number, & (Number of Crimps)		
		Heat Shrink		Force Fit			MD6 Series	Y39, Y750 Series	OUR840
		Complete Set	Shrink Sleeve Only	Complete Set					
2 Sol. - 4 Str.	2 Sol. - 4 Str. 4 Str. Comp.	RYA4UC	RYAC25	RYA4UCR	8A	BG or 5/8 - 1 or 243	W-BG (1) BG3 or W243	U-BG (1) UK58-IT (3) U243 (1)	XBG (3) XNBG (2)
2 Str. - 1/0 Sol.	2 Str. - 1/0 Sol. 2-1 Str. Comp.	RYA2UC		RYA2UCR					
1/0 Str.	1/0 Str. - 2/0 Sol. 1/0 Str. Comp.	RYA25UC		RYA25UCR					
	2 Sol. EC-0	RYA2WAC		RYA2WACR					
	1/0 Sol. EC-0	RYA75AC		RYA75ACR					
2/0 Str.	2/0 Str. 2/0 Str. Comp.	RYA26UC		RYA26UCR					
3/0 Str.	3/0 Str. 3/0 Str. Comp. 4/0 Sol. EC-0**	RYA27UC	RYA27UCR						
4/0 Str.	4/0 Str. 4/0 Str. - 250 Comp.	RYA28UC	RYA28UCR	13A	299 or 655 or 705		U31ART (2) U655 (3) U705 (2)		
250 kcmil	250 250 Comp.	RYA29UC	RYA29UCR						
—	300 - 350 300 - 350 Comp.	RYA31AC	RYA31ACR						

* Overlap Crimps.

** Do not use EEL Die. (11A) to install 4/0 Sol. EC-0.

NOTE: Standard mounting hardware is 3/8" button head socket cap screw with captive conical washer. For HEX HEAD bolt with captive conical washer add "HEX" suffix.

NOTE: Example: RYA4UCR-HEX. For HEX HEAD bolt and captive flat washer add suffix "HEX1". For HEX HEAD bolt and non-captive flat washer add suffix "HEX2". For HEX HEAD bolt and non-captive conical washer add suffix "HEX3". For Stainless Steel HEX HEAD bolt add "HEX355" suffix.

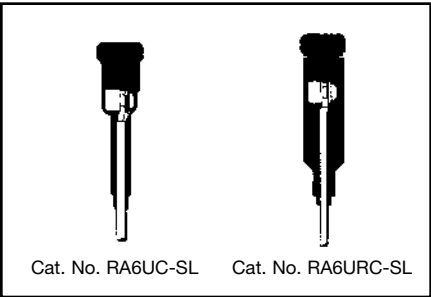
Blue highlighted items are industry standard and most frequently ordered.

**TYPES RA6UC-SL,
RA6UCR-SL**

**URD STREET LIGHTING
TAP KIT**

For Aluminum or Copper

URD tap kit for making street lighting taps from URD MOLE™ types RDM-28 and RDM-28T. Each kit accommodates 6 str. - 12 sol. Kits include connector, mounting hardware and insulating sleeve.



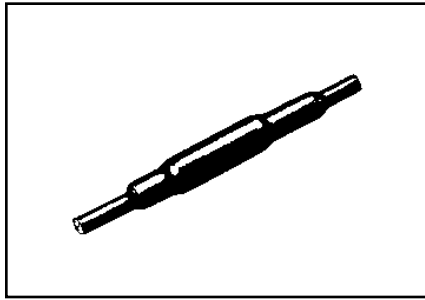
Conductor	Catalog Number	
	Heat Shrink	Force Fit
6 Str. - 12 Sol.	RA6UC-SL	RA6UCR-SL

Blue highlighted items are industry standard and most frequently ordered.

TYPE YS-CG

URD INSULATED SPLICE KIT

For All Aluminum
or Copper/Aluminum
Combinations



Type YS-CG URD insulated splice kit consists of a standard YSU or YSD LINKIT™ and a heat-shrink sleeve. Used to splice URD secondary lines up to 600 volts. It is installed with common installation tools. Heat-shrink sleeve is installed with standard propane torch, or 500° F electric heat gun. Acetylene is not recommended.

Conductor			Catalog Number		Die Index	Tools, Die Set Catalog No., & (No. of Crimps)		
Both Sides			Complete Splice Kit	Heat Shrink Sleeve		MD6 Series	Y34A	Y35 Series
Aluminum	ACSR	Copper*						
1-2 Str.	2 (6-1, 7-1)	1-2 Str.	YS2UCGI	RYAC25	BG 243	BG (3) W-BG (1)** W243 (2)	— A243 (1)	U-BG (1)** U243 (1)
1/0 Str. 1/0 Comp.	1/0 (6-1)	1/0 Str.	YS25UCGI					
2/0 Str. 2/0 Comp.	2/0 (6-1)	2/0 Str.	YS26UCGI					
3/0 Str. 3/0 Comp.	3/0 (6-1)	3/0 Str.	YS27UCGI	RYAC31-1	249/840	W249 (4) W-K840 (7)	A249 (2) —	U249 (2) U-K840T (4)
4/0 Str. 4/0 Comp.	4/0 (6-1)	4/0 Str.	YS28UCGI					
350 350 Comp.	—	350	YS31ACGI	RYAC31	299/705	—	—	U299 (2) U705 (1)

K-70

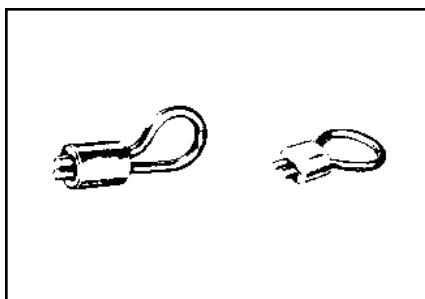
* Use to join copper to aluminum or ACSR not copper to copper.
** Multiple crimp die set makes more than one crimp per compression.

TYPES J1592, J1207

Y-LOK

For Locking Enclosures

Assembly consists of aluminum-clad steel wire loop and a compression type aluminum connector. Installed with BG groove of MD6 or OUR840 Compression Tools. Can also be installed with 5/8 or 5/8-1 grooves.



J1592 J1207

Compression Y-LOK installed with BG or 5/8 groove

Catalog Number	Installation Tooling			L	C	D
	D1D6, OUR840	Y35, Y750, Y46				
J1207	WBG	UBG		2.28	.75	1.00
J1592	XBG			2.31	.75	.75

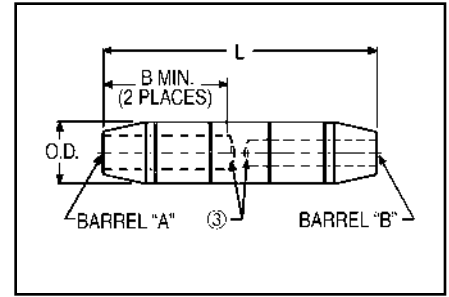
Blue highlighted items are industry standard and most frequently ordered.

TYPE YRB-U

HYREDUCER™ SPLICE

For Aluminum-to-Aluminum and Aluminum-to-Copper

Type YRB-U splice is designed for use within underground systems. Aluminum splices are tin-plated and recommended for use on Aluminum-to-Aluminum and Aluminum-to-Copper cables. All splices have solid center stop for use with oil filled and non-oil filled cables. The Outside Diameter is held constant to minimize installation dies and connectors are prefilled with PENETROX™. Rated up to 35 kV.



Catalog Number	Conductor Range		Dimensions		O.D.	Wire Strip Length		Die Number	Color Code
	Barrel "A" Copper & Aluminum	Barrel "B" Copper & Aluminum	B Min.	L		Barrel "A"	Barrel "B"		
YRB2U3TTN	#2 (.292 Dia.) 7 Str.	#3 (.260 Dia.) 7 Str.	1.35 [34]	3.25 [83]	.65 [17]	1-3/4"	1-3/4"	296	Tan
YRB1CU2TTN	#1 (.332 Dia.) 19 Str. or 1/0 Compact (.336 Dia.) 19 Str.	#2 (.292 Dia.) 7 Str.							
YRB1CU1TTN	#1 (.332 Dia.) 19 Str. or 1/0 Compact (.336 Dia.) 19 Str.	#1 (.332 Dia.) 19 Str. or 1/0 Compact (.336 Dia.) 19 Str.							
YRB25U3TTN	1/0 (.373 Dia.) 19 Str. or 1/0 Compact (.336 Dia.) 19 Str.	#3 (.260 Dia.) 7 Str.							
YRB25U2TTN	1/0 (.373 Dia.) 19 Str. or 1/0 Compact (.336 Dia.) 19 Str.	#2 (.292 Dia.) 7 Str.							
YRB25U25TTN	1/0 (.373 Dia.) 19 Str. or 1/0 Compact (.336 Dia.) 19 Str.	1/0 (.373 Dia.) 19 Str. or 1/0 Compact (.336 Dia.) 19 Str.							
YRB27U25TW	3/0 (.470 Dia.) 19 Str. or 3/0 Compact (.423 Dia.) 19 Str.	1/0 (.373 Dia.) 19 Str. or 1/0 Compact (.336 Dia.) 19 Str.	1.53 [39]	3.69 [94]	.85 [22]	1-1/2"	1-1/2"	298	White
YRB28U3TW	4/0 (.528 Dia.) 19 Str. or 4/0 Compact (.475 Dia.) 19 Str.	#3 (.260 Dia.) 7 Str.							
YRB28U1TW	4/0 (.528 Dia.) 19 Str. or 4/0 Compact (.475 Dia.) 19 Str.	#1 (.332 Dia.) 19 Str. or 1/0 Compact (.299 Dia.) 7 Str.							
YRB28U25TW	4/0 (.528 Dia.) 19 Str. or 4/0 Compact (.475 Dia.) 19 Str.	1/0 (.373 Dia.) 19 Str. or 1/0 Compact (.336 Dia.) 19 Str.							
YRB28U26TW	4/0 (.528 Dia.) 19 Str. or 4/0 Compact (.475 Dia.) 19 Str.	2/0 (.419 Dia.) 19 Str. or 2/0 Compact (.376 Dia.) 19 Str.	1.53 [39]	3.69 [94]					
YRB28U28TW	4/0 (.528 Dia.) 19 Str. or 4/0 Compact (.475 Dia.) 19 Str.	4/0 (.528 Dia.) 19 Str. or 4/0 Compact (.475 Dia.) 19 Str.							
YRB31U25TW	350 kcmil (.681 Dia.) 37 Str. or 350 kcmil Compact (.616 Dia.) 19 Str. Al; 37 Str. Al & Cu	1/0 (.373 Dia.) 19 Str. or 1/0 Compact (.336 Dia.) 19 Str.	2.34 [59]	5.43 [138]	1.11 [28]	2-1/4"	2-1/4"	299	Brown
YRB31U28TW	350 kcmil (.681 Dia.) 37 Str. or 350 kcmil (.616 Dia.) 19 Str. Al; 37 Str. Al & Cu	4/0 (.528 Dia.) 19 Str. or 250 kcmil Compact (.520 Dia.) 37 Str.							
YRB31U31TW	350 kcmil (.681 Dia.) 37 Str. or 350 kcmil Compact (.616 Dia.) 19 Str. Al; 37 Str. Al & Cu	350 kcmil (.681 Dia.) 37 Str. or 350 kcmil Compact (.616 Dia.) 19 Str. Al; 37 Str. Al & Cu							

K-71

- 1 Material: Aluminum.
- 2 Finish: Electro-tin plated.
- ③ Barrels are partially filled with PENETROX™ and sealed.
- 4 Scratch brushing of all conductors before making installation is recommended.
- 5 Not for use with Copper-to-Copper applications.
- 6 Dimensions in brackets [] are in millimeters rounded off to the nearest millimeter, unless otherwise noted and are for reference only.

- ⑦ Catalog number PT6515 Adaptor is required to use "U" dies in Y45 series tools.
- ⑧ Catalog number PUADP-1 Adaptor is required to use "U" dies in Y46 series tools.
- 9 On MY29-3 HYTOOL™ use alum. Index plate settings as follows, for 1/0 conductor use 1/0 setting. For conductor smaller than 1/0 size use 2/0 setting.

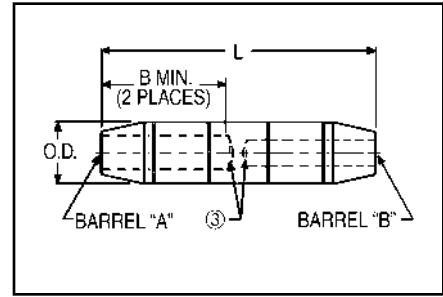
Blue highlighted items are industry standard and most frequently ordered.

TYPE YRB-U

HYREDUCER™ SPLICE

(Continued)

For Aluminum-to-Aluminum and Aluminum-to-Copper



K-72

Catalog Number	Conductor Range		Dimensions		O.D.	Wire Strip Length		Die Number	Color Code
	Barrel "A" Copper & Aluminum	Barrel "B" Copper & Aluminum	B Min.	L		Barrel "A"	Barrel "B"		
YRB34U25TW	500 kcmil (.813 Dia.) 37 Str. or 500 kcmil Compact (.736 Dia.) 19 Str. Al; 37 Str. Al & Cu	1/0 (.373 Dia.) 19 Str.	2.70 [69]	6.00 [152]	1.31 [33]	1-1/8"	1-1/8"	300	Pink
YRB34U28TW	500 kcmil (.813 Dia.) 37 Str. or 500 kcmil Compact (.736 Dia.) 19 Str. Al; 37 Str. Al & Cu	4/0 (.528 Dia.) 19 Str. or 4/0 Compact (.475 Dia.) 19 Str.							
YRB34U29TW	500 kcmil (.813 Dia.) 37 Str. or 500 kcmil Compact (.736 Dia.) 19 Str. Al; 37 Str. Al & Cu	250 kcmil (.575 Dia.) 37 Str.							
YRB34U30TW	500 kcmil (.813 Dia.) 37 Str. or 500 kcmil Compact (.736 Dia.) 19 Str. Al; 37 Str. Al & Cu	300 kcmil (.630 Dia.) 37 Str.							
YRB34U31TW	500 kcmil (.813 Dia.) 37 Str. or 500 kcmil Compact (.736 Dia.) 19 Str. Al; 37 Str. Al & Cu	350 kcmil (.681 Dia.) 37 Str. 350 kcmil Compact (.616 Dia.) 19 Str. Al; 37 Str. Al & Cu							
YRB34U34TW	500 kcmil (.813 Dia.) 37 Str. or 500 kcmil Compact (.736 Dia.) 19 Str. Al; 37 Str. Al & Cu	500 kcmil (.813 Dia.) 37 Str. or 500 kcmil Compact (.736 Dia.) 19 Str. Al; 37 Str. Al & Cu							
YRB39U31TW	750 kcmil (.998 Dia.) 61 Str. or 750 kcmil Compact (.908 Dia.) 61 Str.	350 kcmil (.681 Dia.) 37 Str. or 350 kcmil Compact (.616 Dia.) 19 Str. Al; 37 Str. Al & Cu	2.87 [73]	6.74 [171]	1.46 [37]	3"	3-11/16"	936	Yellow
YRB39U34TW	750 kcmil (.998 Dia.) 61 Str. or 750 kcmil Compact (.908 Dia.) 61 Str.	500 kcmil (.813 Dia.) 37 Str. or 500 kcmil Compact (.736 Dia.) 19 Str. Al; 37 Str. Al & Cu							
YRB39U39TW	750 kcmil (.998 Dia.) 61 Str. or 750 kcmil Compact (.908 Dia.) 61 Str.	750 kcmil (.998 Dia.) 61 Str. or 750 kcmil Compact (.908 Dia.) 61 Str.							
YRB44U31TW	1000 kcmil (1.152 Dia.) 61 Str.	350 kcmil (.681 Dia.) 37 Str. or 350 kcmil Compact (.616 Dia.) 19 Str. Al; 37 Str. Al & Cu							
YRB44U34TW	1000 kcmil (1.152 Dia.) 61 Str.	500 kcmil (.813 Dia.) 37 Str. or 500 kcmil Compact (.736 Dia.) 19 Str. Al; 37 Str. Al & Cu							
YRB44U39TW	1000 kcmil (1.152 Dia.) 61 Str.	750 kcmil (.998 Dia.) 61 Str. or 750 kcmil Compact (.908 Dia.) 61 Str.							
YRB44U44TW	1000 kcmil (1.152 Dia.) 61 Str.	1000 kcmil (1.152 Dia.) 61 Str.							

- 1 Material: Aluminum.
- 2 Finish: Electro-tin plated.
- ③ Barrels are partially filled with PENETROX™ and sealed.
- 4 Scratch brushing of all conductors before making installation is recommended.
- 5 Not for use with Copper-to-Copper applications.
- 6 Dimensions in brackets [] are in millimeters rounded off to the nearest millimeter, unless otherwise noted and are for reference only.

- ⑦ Catalog number PT6515 Adaptor is required to use "U" dies in Y45 series tools.
- ⑧ Catalog number PUADP-1 Adaptor is required to use "U" dies in Y46 series tools.
- 9 On MY29-3 HYTOOL™ use alum. Index plate settings as follows, for 1/0 conductor use 1/0 setting. For conductor smaller than 1/0 size use 2/0 setting.

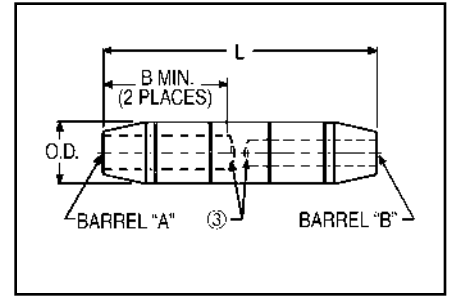
Blue highlighted items are industry standard and most frequently ordered.

TYPE YRB-U

HYREDUCER™ SPLICE

(Continued)

For Aluminum-to-Aluminum and Aluminum-to-Copper



Installation (Number of Crimps per End)									
Color Code	Die Index	Mechanical Ratchet		Hydraulic					⑤ Dieless (# of Crimps) Mechanical: MY29-3 (1), MY29-11 (1) Hydraulic: Y644M (1), PAT644-18V (1)
		OUR840	MD6, MD7	Y35, Y39, Y750 BAT35, BAT750, PAT750	⑧ Y46	⑦ Y45	Y48B	Y60BHU	
Tan	296	—	—	U25ART (1)	U25ART (1)	U25ART (1)	C25AR (1)	—	MY29-3 (1) MY29-11 (1)
White	298	—	—	U28ART (2)	U28ART (2)	U28ART (2)	C28AR (2)	—	Y644M (1) PAT644-18V (1)
Brown	299	—	—	U31ART Overlap Crimp	U31ART Overlap Crimp	U31ART Overlap Crimp	C31AR (1)	L31ART (1)	Y644M (1) PAT644-18V (1)
Pink	300	—	—	U34ART Overlap Crimp	U34ART Overlap Crimp	U34ART Overlap Crimp	C34AR (1)	L34ART	
Yellow	936	—	—	U39ART-2 (4)	U39ART-2 (4)	U39ART-2 (4)	C39AR (2)	L39ART (2)	—

- 1 Material: Aluminum.
- 2 Finish: Electro-tin plated.
- ③ Barrels are partially filled with PENETROX™ and sealed.
- 4 Scratch brushing of all conductors before making installation is recommended.
- 5 Not for use with Copper-to-Copper applications.
- 6 Dimensions in brackets [] are in millimeters rounded off to the nearest millimeter, unless otherwise noted and are for reference only.

- ⑦ Catalog number PT6515 Adaptor is required to use "U" dies in Y45 series tools.
- ⑧ Catalog number PUADP-1 Adaptor is required to use "U" dies in Y46 series tools.
- 9 On MY29-3 HYTOOL™ use alum. Index plate settings as follows
for 1/0 conductor use 1/0 setting. For conductor smaller than 1/0 size use 2/0 setting.

K-73

Blue highlighted items are industry standard and most frequently ordered.

TYPE YRB-T

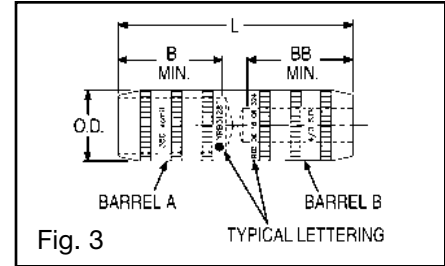
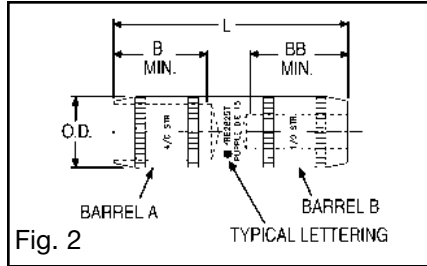
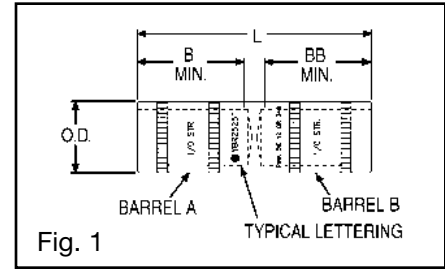
HYREDUCER™ SPLICE

For Copper-to-Copper

Type YRB-T splice is designed for use within underground systems. Copper splices are tapered and recommended for use on copper-to-copper cables.

All splices have solid center stops for use with oil filled and non-oil filled cables.

The Outside Diameter is held constant to minimize installation dies. Rated up to 35 kV.



Catalog Number ②	Figure No.	Conductor Size		Dimensions			
		Barrel "A"	Barrel "B"	B Min.	BB Min.	L	O.D.
YRB2825T	2	4/0 (.528)	1/0 (.372)	1.16 [29]	1.16 [29]	2.84 [73]	.69 [18]
YRB3428T	3	500 kcmil (.813)	4/0 (.528)	1.73 [44]	1.73 [44]	4.50 [114]	1.06 [27]

K-74

- 1 Material: Copper.
- ② For Tin-Plating, add suffix "TN" to the Catalog Number (example: YRB2825TN). For Hot Tin dipped add suffix "W" to the catalog number (example: YRB2825TW).
- ③ Catalog Number PT6515 Adaptor is required to use "U" dies in Y45 series tools.
- ④ Catalog Number PUADP-1 is required to use "U" dies in Y46 series tools.
- 5 Dimensions in brackets [] are in millimeters rounded off to the nearest millimeter, unless otherwise specified, and are for reference only.
- ⑥ For use by customers that have this HYPRESS™. No new Y34 HYPRESS™ tools are being processed.
- ⑦ Suffix "TN" and "W" will not be stamped on part.

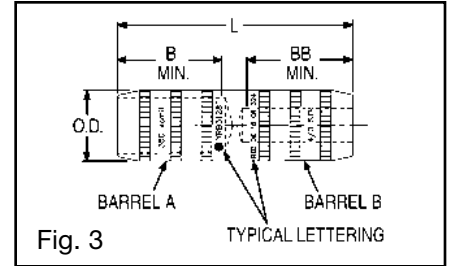
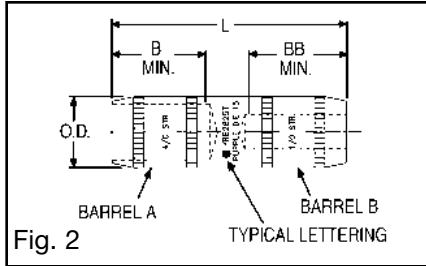
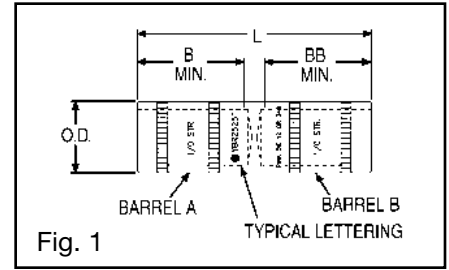
Blue highlighted items are industry standard and most frequently ordered.

TYPE YRB-T

HYREDUCER™ SPLICE

(Continued)

For Copper-to-Copper



Catalog ② Number ⑦	Color Code	Installation Tooling (Number of Crimps)												Dieless (# of Crimps)	Wire Strip Length
		Die Information		Mechanical				Hydraulic							
		Die Index	Type	OUR640	MD7 MD7-34R	MD6	Y34A ⑥	Y35, Y39, Y750, BAT35, BAT750, PAT750	BCT500, Y500CT	Y46 ④	Y45 ③	Y48B	Y60BHU		
YRB2825T	Purple	Die 15	Purple Die Set	X28VT (4) X28RT (4)	X28VT (4)	X28RT (4)	—	U28RT (1)	—	U28RT (1)	—	C28R (1)	L29ART (1)	Hydraulic: Y644M (1)	1-7/32"
YRB3428T	Brown	Die 20 or 299	Brown Die Set	—	—	—	—	U34RT (2) U31ART (2)	W34VT (2) W34RT (2)	U34RT (2) U31ART (2)	U34RT (2) U31ART (2)	C34R (1) C31AR (1)	L34RT (1)	BAT644M (1) PAT644M (1)	1-13/16"

1 Material: Copper.
 ② For Tin-Plating, add suffix "TN" to the Catalog Number (example: YRB2825TN). For Hot Tin dipped add suffix "W" to the catalog number (example: YRB2825TW).
 ③ Catalog Number PT6515 Adaptor is required to use "U" dies in Y45 series tools.
 ④ Catalog Number PUADP-1 is required to use "U" dies in Y46 series tools.

5 Dimensions in brackets [] are in millimeters rounded off to the nearest millimeter, unless otherwise specified, and are for reference only.
 ⑥ For use by customers that have this HYPRESS™. No new Y34 HYPRESS™ tools are being processed.
 ⑦ Suffix "TN" and "W" will not be stamped on part.

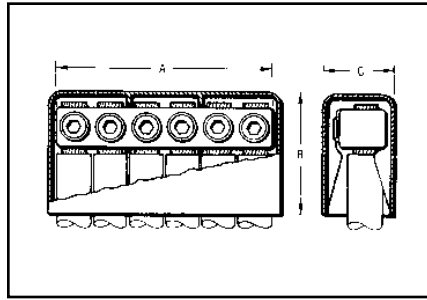
Blue highlighted items are industry standard and most frequently ordered.

TYPE K-P-C

URD

URD Service Tap for Copper Conductors

These compact, wide-range-taking, multiple outlet connectors are made of high conductivity copper alloy. Spherical point Allen set screws provide even clamping forces on conductors up to 4/0 Str. Each connector is supplied with an insulating cover. The mechanical clamping elements allow individual cables to be disconnected without disturbing adjacent connections.



Conductor	Catalog Number			Number of Outlets	A	B	C
	Complete Assembly	Connector Only	Cover Only				
6 Str. - 4/0 Str.	K6P28C	K6P28	K-PC28	6	5-1/8	2-3/4	1-5/8

COMPRESSION SERVICE TAPS AND TRANSFORMER TERMINALS

K-76

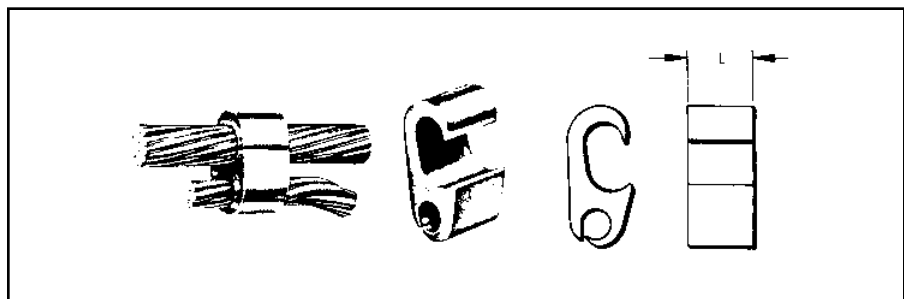
Where compression-type service taps are required, the wide-range-taking, figure "6" shaped, tap connectors are recommended. They can be gripped in a HYPRESS™ and slipped over the secondary main for easy installation. For above-grade installation, commercially available insulating tubes are often used to cover a series of these taps on each main cable stub. Separation of run and tap cables simplifies taping.

TYPE YPC-C

TIN-PLATED COPPER CRIMPIT™

For Copper Conductors

Made of tin-plated pure copper this connector is recommended for copper service taps in above-grade enclosures or for direct burial. The streamlined design facilitates taping. The plating eliminates reaction with insulators.



Conductor		Catalog Number	L	Die Index	Installation Tooling	
Run	Tap				Die Cat. No.	(No. of Crimps)
2/0 Str. - 250	4 Str. - 2/0 Str	YPC29C26	1.00	D3	U-D3	(1)

* Y35 HYPRESS™ U-Dies with adapter PUADP-1 can also be used with Y46. Same number of crimps as Y35.

Blue highlighted items are industry standard and most frequently ordered.

TYPES K6B, K33B

URD TRANSFORMER TERMINALS

For Copper Conductors

These terminals are companion connectors of the various types of DOME-TAP, and possess the same advantages of wide conductor range and compactness. These features simplify cable terminations in the secondary compartments of pad-mounted transformers. The design also permits individual cables to be disconnected without disturbing adjacent joints.

Made of a high conductivity copper alloy, these compact range-taking connectors provide for connecting up to six copper cables at the transformer terminals. The outlets are equipped with spherical point, tin-plated brass socket set-screws to provide even clamping forces on the conductors throughout the cable range.

Where cable sizes exceed 4/0 Str., a pressure bar is added to assure optimum performance.

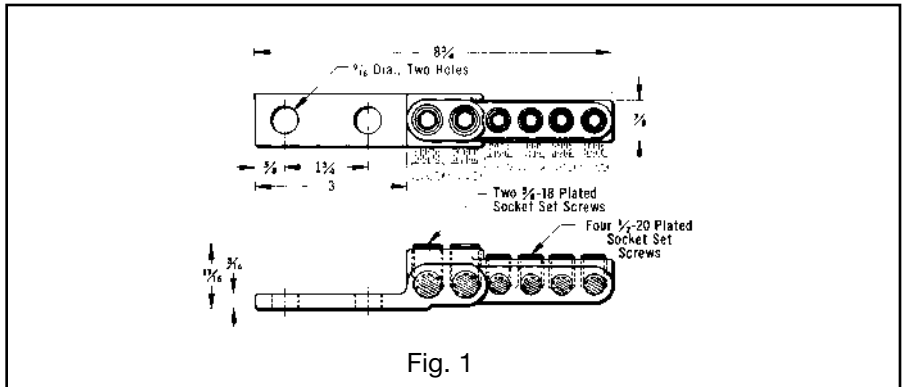
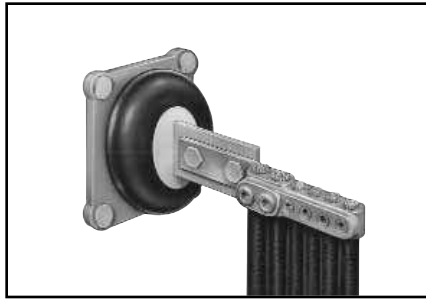


Fig. 1

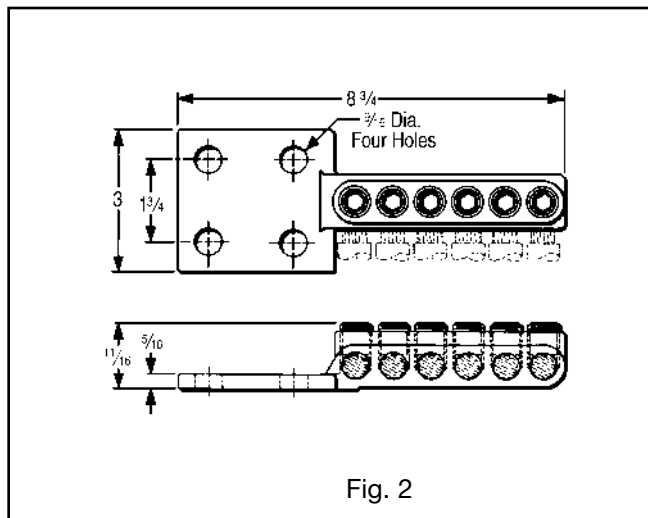


Fig. 2

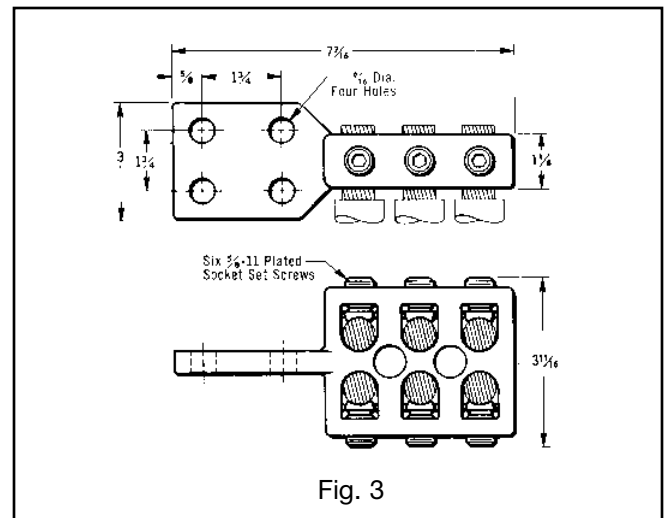


Fig. 3

Conductor	Catalog Number	Fig. No.	NEMA Tongue
Two Outlets: #6 - 4/0	K6B2826-2N	1	2-Hole
Four Outlets: 6 Str. - 2/0	K6B28-4N	2	4-Hole
Six Outlets: 6 Str. - 4/0 Str.	K6B28-4N	2	4-Hole
Six Outlets: 4/0 Str. - 500	K33B34-4N	3	4-Hole

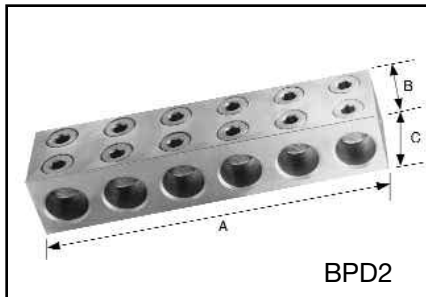
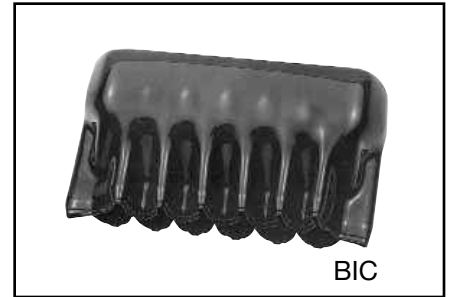
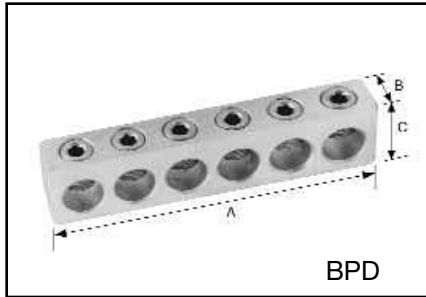
Blue highlighted items are industry standard and most frequently ordered.

TYPES BPD & BPD2

POWER DISTRIBUTION BLOCKS

Dual rated ground pedestal lugs. Rated for 600 volt. Constructed from high strength aluminum alloy 6061-T6. Connectors are all plated to provide low contact resistance.

Plastisol covers dielectric strength rating of 120 volts per mil. Nominal thickness is 156 mils. Covers purchased separately.



Catalog Number	Wire Range Aluminum or Copper	Number of Conductors	Dimensions			Insulating Cover
			A	B	C	
BPD-4-350	#6 - 350	4	3.88	1.38	1.00	BIC-4-350
BPD-6-350	#6 - 350	6	5.69	1.38	1.00	BIC-6-350
BPD-8-350	#6 - 350	8	7.50	1.38	1.00	BIC-8-350
BPD-4-500	#2 - 500	4	4.75	1.63	1.00	BIC-4-500
BPD-6-500	#2 - 500	6	7.00	1.63	1.00	BIC-6-500
BPD-8-500	#2 - 500	8	9.25	1.63	1.00	BIC-8-500
BPD2-4-750	#2 - 750	4	6.56	2.00	2.50	BIC2-4-750
BPD2-6-750	#2 - 750	6	9.88	2.00	2.50	BIC2-6-750
BPD2-8-750	#2 - 750	8	13.81	2.00	2.50	BIC2-8-750

K-79

Blue highlighted items are industry standard and most frequently ordered.